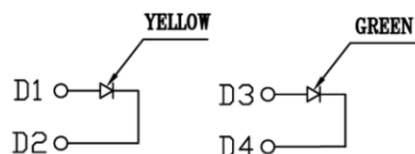
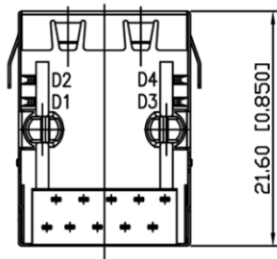


RECOMMENDED P.C.B. LAYOUT / TOP VIEW

NOTES:

- MATERIALS:
 HOUSING: PBT POLYESTER UL94V-0 BLOCK
 CONTACTS: T=0.35 PHOSPHOR BORNZE, 50u" NICKEL UNDERPLATE ON ALL AREA, 150u" TIN-LEAD ON TERMINATION END, 6u" ON CONTACT AREA.
 SHIELD: BRASS C2680-H T=0.20mm±0.01 FOGGED<50% SHINE SOLVENT> NI 50u" MIN PLATING.
- JACK CAVITY CONFORMS TO FCC RULES AND REGULATIONS PART 68, SUBPART F
- UNSPECIFIED TOLERANCE: .XX ±0.25[0.010]
 .X ±0.30[0.012]



RoHS Compliant

TOLERANCES ARE

MORETHANALL
 PCB CONNECTORS
 Cable ASSEMBLIES

DRAWING BY CY

X, ±

CHECKED BY GENIUS

.X ± 0.30

UNIT / mm

SCALE 1 : 1

.XX ± 0.25

DATE

.XXX ±

ANG ±

照片框

ORDER INFORMATION

MJF13T110UL-KF06B3YG24-0808

SERIES

8P8C

LED2 :YELLOW / LED1:GREEN

REAR TAB 3.05mm

BLACK 06u" GOLD FULL SPRING

煜倫股份有限公司

www.morethanall.com

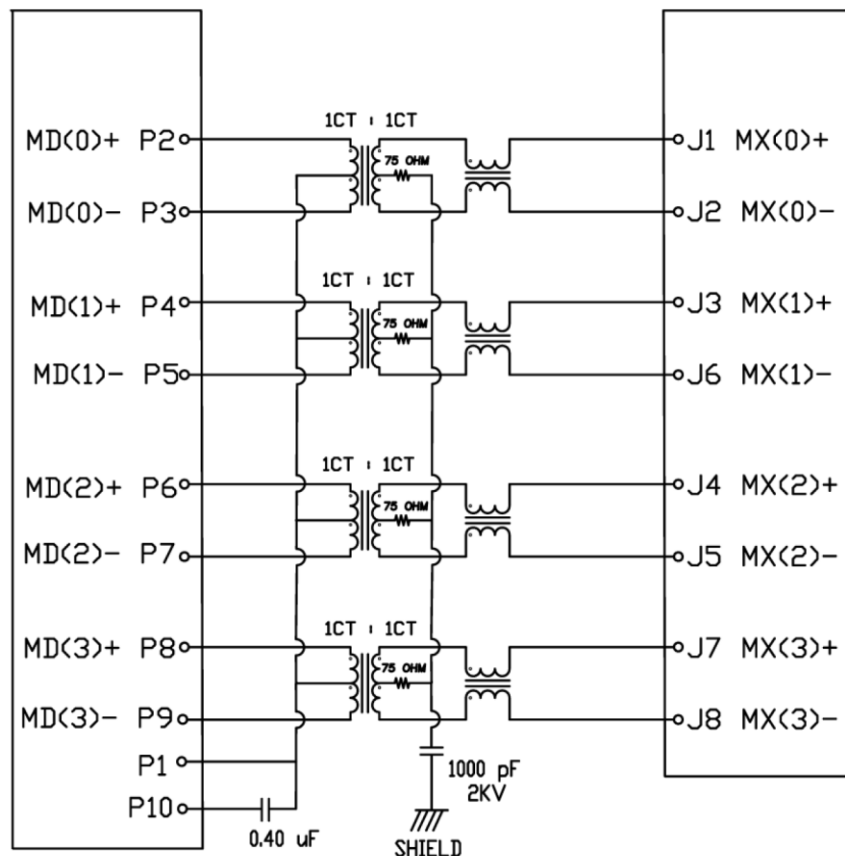
SIZE A4

PJECTION

DESCRIPTION:

LAN CHIP SIDE

RJ45 CABLE SIDE



TEST NOTES:(25°±5°C)

1. TR:(100KHz,0.1V); 100%
PINS:(P1,P2):(J1,J2)=1:1±3%;(P3,P4):(J3,J6)=1:1±3%
PINS:(P7,P8):(J4,J5)=1:1±3%;(P9,P10):(J7,J8)=1:1±3%
2. LX:(100KHz,100mV,8mA, DC Bias) 100%
PINS:(P1,P2),(P3,P4),(P7,P8),(P9,P10)=350uH MINIMUM
3. DCR: 100%
PINS:(J1,J2),(J3,J6),(J4,J5),(J7,J8)=1.0 MAXIMUM
4. HIPOT: 100%
PINS(P1,P2)TO(J1,J2),(P3,P4)TO(J3,J6)=1650VAC FOR 2 SECONDS
PINS(P7,P8)TO(J4,J5),(P9,P10)TO(J7,J8)=1650VAC FOR 2 SECONDS
5. INSERTION LOSS:
-0.8dB MAXIMUM AT 0.3MHz TO 100MHz;
-1.2dB MAXIMUM AT 100MHz TO 120MHz
6. RETURN LOSS:
-18dB MINIMUM AT 0.5MHz TO 40MHz;
-12+20Log(f/80MHz)dB MINIMUM AT 40MHz TO 100MHz
7. CROSS TALK:
-33+20Log(f/100MHz)dB MINIMUM AT 0.1MHz TO 100MHz
8. COMMON TO DIFFERENTIAL MODE REJECTION:
-35dB MINIMUM AT 300KHz TO 100MHz
9. COMMON TO COMMON MODE REJECTION:
-30dB MINIMUM AT 300KHz TO 100MHz

RoHS Compliant

TOLERANCES ARE

MORETHANALL
PCB CONNECTORS
Cable ASSEMBLIES

DRAWING BY CY

X, ±
.X ± 0.30

CHECKED BY GENIUS

.XX ± 0.25

UNIT / mm

SCALE 1 : 1

.XXX ±

DATE

ANG ±

照片框

ORDER INFORMATION

MJF13T110UL-KF06B3YG24-0808

SERIES

8P8C

LED2 :YELLOW / LED1:GREEN
REAR TAB 3.05mm

BLACK | 06u" GOLD
FULL SPRING

煜倫股份有限公司

www.morethanall.com

SIZE A4

PJECTION

DESCRIPTION: