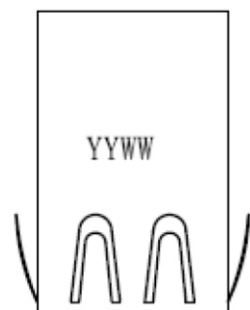
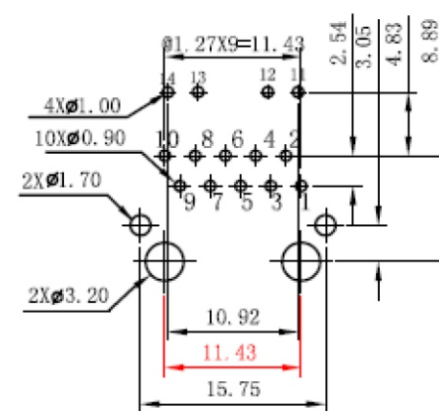
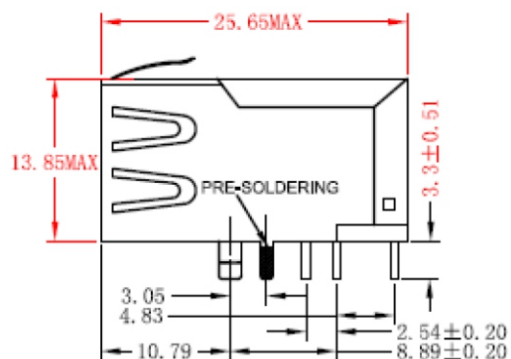
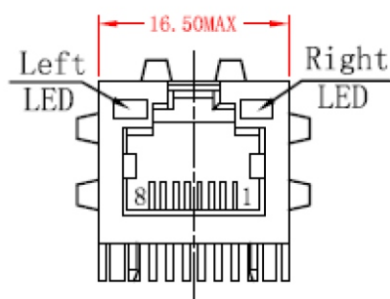


一、Mechanical Dimensions



YY:Year WW:Week



PC Board Layout
Component Side Shown

UNIT:mm Unless otherwise specified, all tolerances are ± 0.25

RoHS Compliant

TOLERANCES ARE

MORETHANALL
PCB CONNECTORS
Cable ASSEMBLIES

DRAWING BY CY

X.±

CHECKED BY GENIUS

.X±

UNIT/mm

SCALE 1:1

.XX±

DATE

.XXX±

ANG±

煜倫股份有限公司

www.morethanall.com

SIZE A4

PJECTION

照片框

ORDER INFORMATION

MJF13T110UL-KF06B3GOYX-0808

SERIES

8P8C

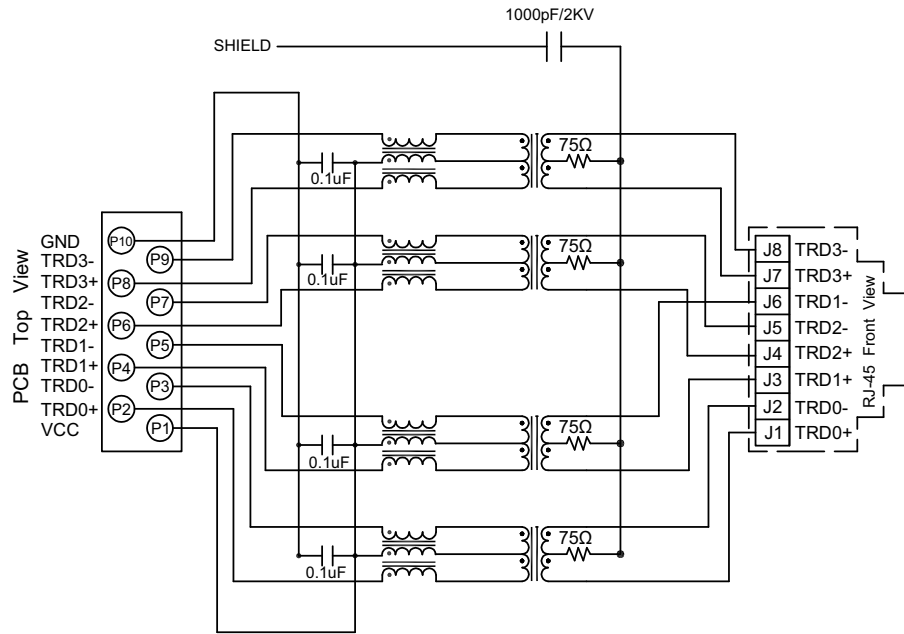
LED1 / LED2
GREEN, ORANGE / YELLOW, X

REAR TAB 3.05mm

BLACK 06u" GOLD FULL SPRING

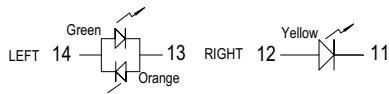
DESCRIPTION: 1000 BASE-T SINGLE PORT RJ45 JACK MAGNETICS

二、Schematics



三、ELECTRICAL SPECIFICATIONS@25 °C:

1. Turn Ratio($\pm 5\%$): 1CT:1CT
2. Inductance(100KHz/0.1V):350uH MIN
3. Insertion Loss(dB MAX):-1.2dB(1-125MHz)
4. Return Loss(dB MIN): -18dB(1-30MHz), $-18+20\log(f/30)$ dB(30-80MHz)
5. Cross talk(dB TYP):-30dB(1-100MHz)
6. DCMR(dB TYP): -30dB(1-100MHz)
7. HI-POT(Pri to Sec):1500Vrms or 2250VDC
8. Operating Temperature: 0°C TO +70°C
9. RoHS compliance: YES



Standard LED	Wavelength	Forward*V(MAX)	TYP
Yellow	585nm	2.5v	2.1v
Orange	605nm	2.5v	2.0v

With a forward current of 20mA

RoHS Compliant

TOLERANCES ARE

MORETHANALL
PCB CONNECTORS
Cable ASSEMBLIES

DRAWING BY CY

CHECKED BY GENIUS

UNIT / mm SCALE 1 : 1

DATE

SIZE A4

X. \pm
.X \pm
.XX \pm
.XXX \pm
ANG \pm

PJECTION

照片框

ORDER INFORMATION

MJF13T110UL-KF06B3GOYX-0808

SERIES

8P8C

LED1 / LED2

GREEN, ORANGE / YELLOW, X

REAR TAB 3.05mm

BLACK 06u" GOLD FULL SPRING

DESCRIPTION: 1000 BASE-T SINGLE PORT RJ45 JACK MAGNETICS

煜倫股份有限公司

www.morethanall.com

四、Mechanicals

Housing Material:

MATERIAL:NYLON 66 UL94V-0 STANDARD COLOR:BLACK

Insert Material:

MATERIAL:Phos-Bronze C5210 EH---0.35mm Thickness

Insert -PBT GF UL94V-0

- 1.PLATING(1) NICKEL
- 2.PLATING(2) 100%Sn
- 3.PLATING(3) GOLD (3u " ~50u ")

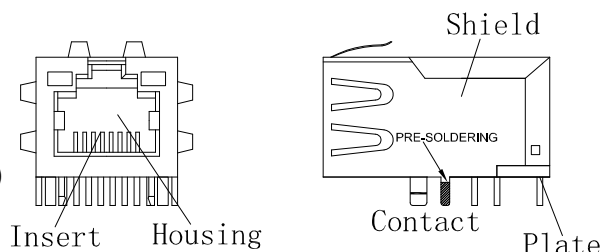


Plate Material:

PBT GF UL 94V-0

Contact pin Material:

MATERIAL: Phos-Bronze C5191---0.35mm Thickness

- 1.PLATING(1) NICKEL
- 2.PLATING(2) 100%Sn

Shielding Material:

BRASS C2680 PLATING NICKEL

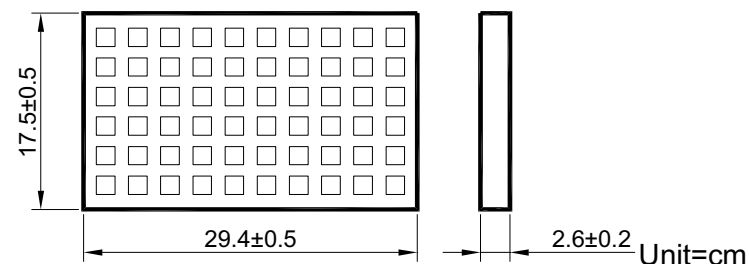
Operating Life:750 Cycles MIN.

五、Environmental

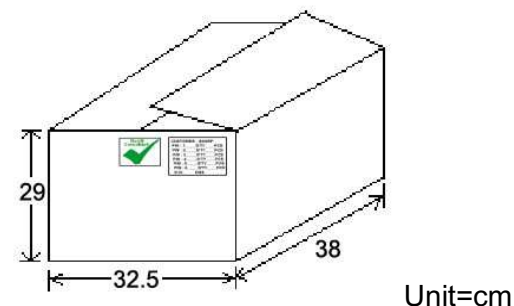
- 1.Storage Temp:-40°C TO +85°C.
- 2.Operating Temp:0°C TO +70°C.
- 3.MATES WITH MODULAR PLUG CONFORMING TO FCC PART 68,SUBPART F.

六、Packaging

1. packaging unit : 60 PCS/tray
2. packaging material : PET



3. outer carton unit 1080 pcs/ 18 Trays/box
4. Weight: 10.0kg percarton



RoHS Compliant

TOLERANCES ARE

MORETHANALL
PCB CONNECTORS
Cable ASSEMBLIES

煜倫股份有限公司

www.morethanall.com

DRAWING BY CY

CHECKED BY GENIUS

UNIT / mm SCALE 1 : 1

DATE

SIZE A4

X. ±
.X ±
.XX ±
.XXX ±
ANG ±

PPOJECTION

照片框

ORDER INFORMATION

MJF13T110UL-KF06B3GOYX-0808

SERIES

8P8C

LED1 / LED2
GREEN, ORANGE / YELLOW, X
REAR TAB 3.05mm

BLACK 06u" GOLD
FULL SPRING

DESCRIPTION: 1000 BASE-T SINGLE PORT RJ45 JACK MAGNETICS