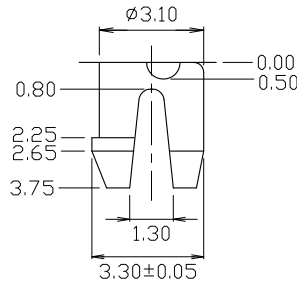
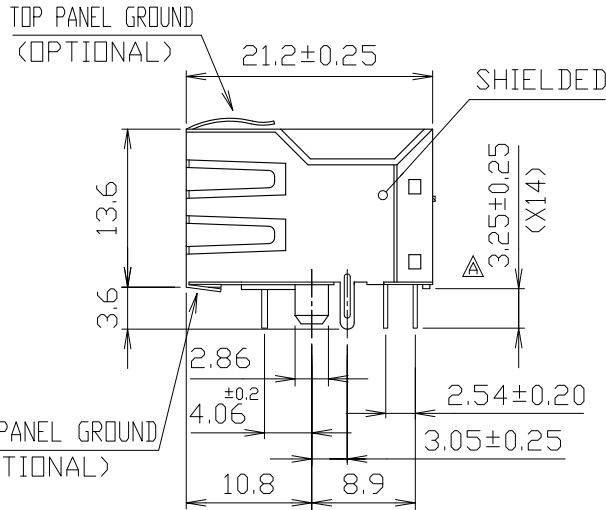
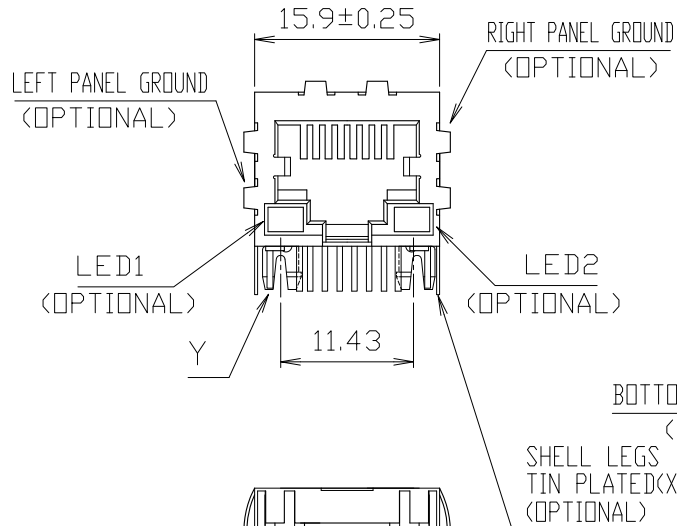
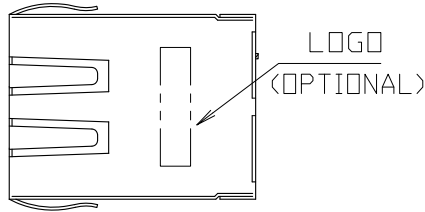


SHELL LEGS  
TIN PLATED(X5)  
(OPTIONAL)



DETAIL Y

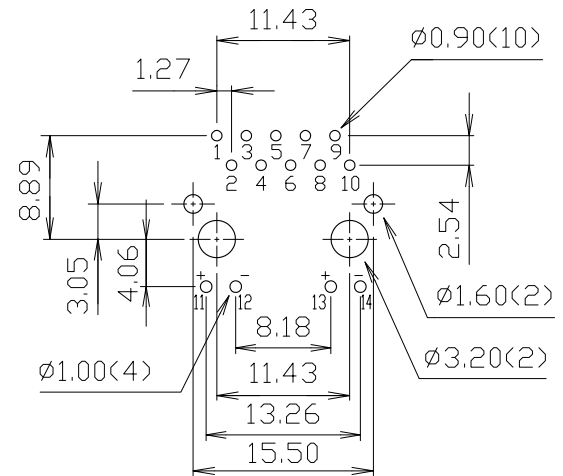
| REVISIONS |             |           |       |
|-----------|-------------|-----------|-------|
| LTR       | DESCRIPTION | DATE      | APP   |
| △         | 3.40±0.25   | 05/29/04  | CHANG |
| △         | CAR 0.25    | MAY/20/11 | CHANG |

PIN 1  
GROUNDING

MATERIALS:

- HOUSING-PBT POLYESTER UL94V-0 MIXED GLASS FIBER. STANDARD COLOR-BLACK.
- CONTACTS-0.35mm THICK PHOS-BRONZE PLATED WITH HARD GOLD AND GOLD FLASH IN SOLDER AREA.
- △ • SHIELD-0.20mm THICK COPPER ALLOY, PLATED WITH NICKEL.

CAVITY CONFIRMS TO FCC RULES AND REGULATIONS PART 68,SUBPART F.



PC Board Layout Ref.

RoHS Compliant

TOLERANCES ARE

**MORETHANALL**  
PCB CONNECTORS  
Cable ASSEMBLIES

DRAWING BY CY

X. ±  
.X ± 0.25  
.XX ± 0.13  
.XXX ± 0.05  
ANG ±

CHECKED BY GENIUS

UNIT / mm SCALE 1 : 1

DATE

SIZE A4

P PROJECTION

照片框

ORDER INFORMATION

MJF13T110L-KF06B3xx-0808

SERIES

REAR TAB 3.05mm 8P8C

LED1 LED2  
GY:GREEN / YELLOW  
YG:YELLOW / GREEN

06u" GOLD  
FULL SPRING  
BLACK

DESCRIPTION: SINGLE PORT, RJ45, SHIELDED, WITH LED WITH TRANSFORMER, SIDE ENTRY PCB JACK

煜倫股份有限公司

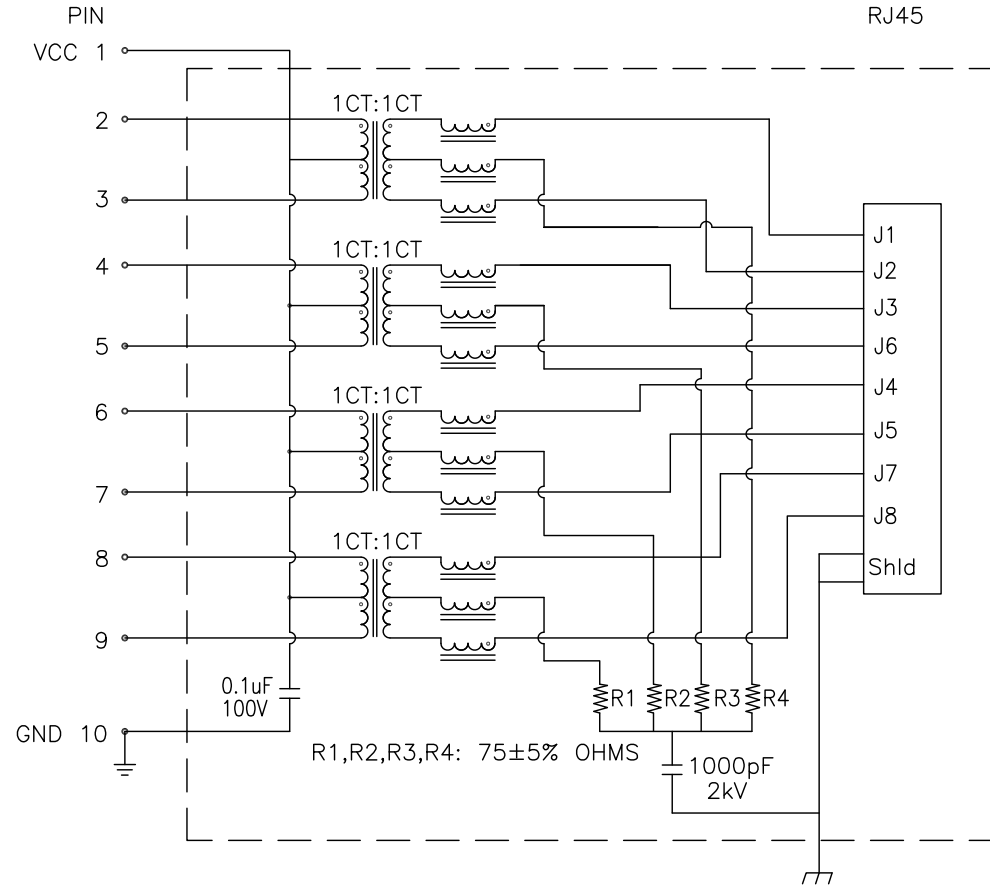
www.morethanall.com

### TRANSFORMER TYPE C

#### ELECTRICAL CHARACTERISTICS

TEST NOTES: (25°±5°C)

1. TURNS RATIO: (PRI/SEC) 1CT:1CT ±2%
2. OCL: 350uH MIN. @100KHz 100mV 8mADC
3. INSERTION LOSS:
  - 1.2dB MAXIMUM @100KHz
  - 1.4dB MAXIMUM @1-125MHz
4. RETURN LOSS:
  - 18dB MINIMUM @1-40MHz
  - 12+20\*LOG(f/80MHz)dB MINIMUM @40-100MHz
5. CROSS TALK:
  - 40dB MINIMUM @1MHz
  - 40+10\*LOG(f/10)dB MINIMUM @10-100MHz
6. CMRR: -50dB MINIMUM @2MHz
  - 15+20\*LOG(f/200)dB MINIMUM @30-200MHz
7. DCR: 0.65 OHMS MAXIMUM EACH (1/2 WINDING)
8. ISOLATION: 1500Vac (INPUT-OUTPUT)



CONNECTOR SCHEMATIC

RoHS Compliant

TOLERANCES ARE

**MORETHANALL**  
PCB CONNECTORS  
Cable ASSEMBLIES

煜倫股份有限公司

www.morethanall.com

DRAWING BY CY

CHECKED BY GENIUS

UNIT / mm SCALE 1:1

DATE

SIZE A4

X, ±  
.X ± 0.25  
.XX ± 0.13  
.XXX ± 0.05  
ANG ±

PJECTION

照片框

#### ORDER INFORMATION

MJF13T110L-KF06B3xx-0808

SERIES

REAR TAB 3.05mm 8P8C

06u" GOLD  
FULL SPRING  
BLACK

LED1 LED2  
GY:GREEN / YELLOW  
YG:YELLOW / GREEN

DESCRIPTION: SINGLE PORT, RJ45, SHIELDED, WITH LED WITH TRANSFORMER, SIDE ENTRY PCB JACK