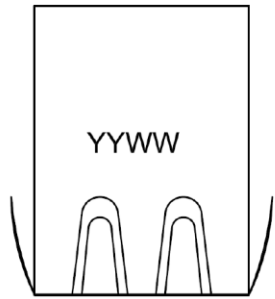
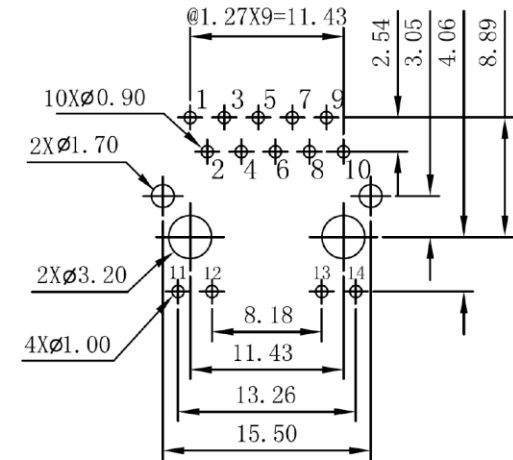
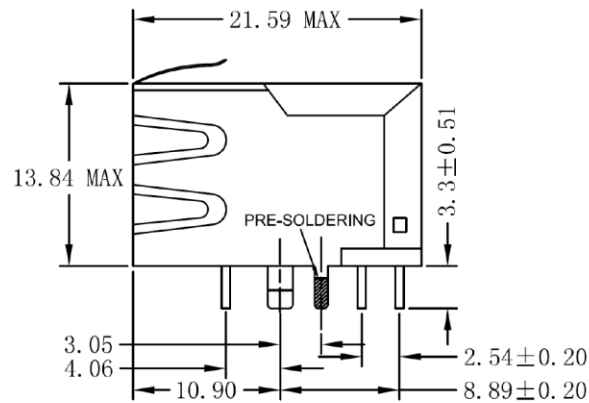
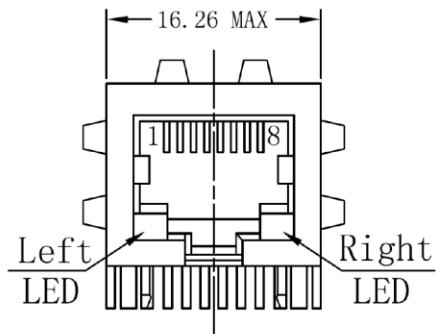


一、Mechanical Dimensions



YY:Year WW:Week



PC Board Layout
Component Side Shown

UNIT:mm Unless otherwise specified,all tolerances are ± 0.25

RoHS Compliant

TOLERANCES ARE

MORETHANALL
PCB CONNECTORS
Cable ASSEMBLIES

DRAWING BY CY

X. ±

CHECKED BY GENIUS

.X ±

UNIT / mm

SCALE 1 : 1

.XX ±

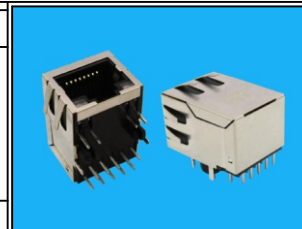
DATE

.XXX ±

ANG ±

SIZE A4

PJECTION



ORDER INFORMATION

MJF13T110L-KF06B3GYGY-0808-LF

SERIES

LEADFREE

BLACK

REAR TAB 3.05mm

06u" GOLD
FULL SPRING

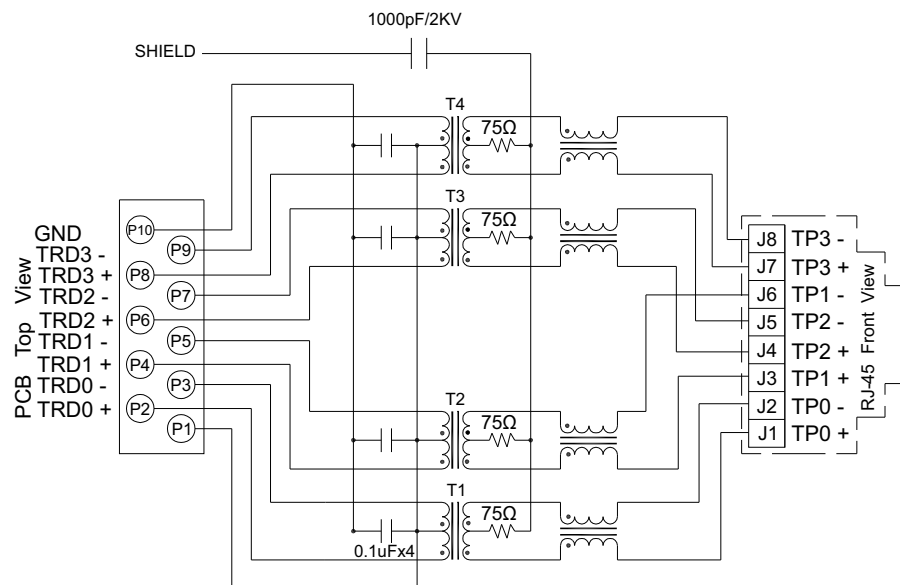
8P8C
GREEN.YELLOW / GREEN.YELLOW

煜倫股份有限公司

www.morethanall.com

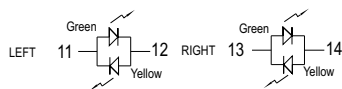
DESCRIPTION: RJ45 1000 BASE-T SINGLE PORT JACK MAGNETICS

二、Schematics



三、ELECTRICAL SPECIFICATIONS@25°C:

1. Turn Ratio($\pm 3\%$):1CT:1CT
2. Inductance(100KHz/0.1V@8mA)350uH MIN@0°C ~ +70°C
3. Insertion Loss(dB MAX): -1.1dB(0.5-100MHz)
4. Return Loss (dB MIN): -18dB(0.5-40MHz),
-12+20Log(f/80MHz)dB(40-100MHz)
5. Cross talk(dB MIN): -30dB(0.5-40MHz),
-33+20Log(f/100MHz)dB(40-100MHz)
6. CMR(dB MIN): -30dB(0.5-100MHz)
7. HI-POT(Pri to Sec) :1500Vrms
8. Operating Temperature:-40°C ~ +85°C
9. RoHS compliance:YES



Standard LED	Wavelength	Forward*V(MAX)	TYP
Green	565nm	2.5v	2.2v
Yellow	585nm	2.5v	2.1v

With a forward current of 20mA

RoHS Compliant

TOLERANCES ARE

MORETHANALL
PCB CONNECTORS
Cable ASSEMBLIES

DRAWING BY CY

CHECKED BY GENIUS

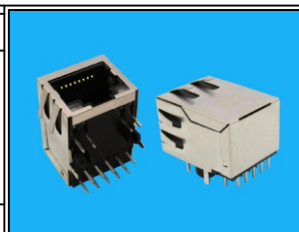
UNIT / mm SCALE 1 : 1

DATE

SIZE A4

X, ±
.X ±
.XX ±
.XXX ±
ANG ±

PPOJECTION



ORDER INFORMATION

MJF13T110L-KF06B3GYGY-0808-LF

SERIES

BLACK

06u" GOLD

FULL SPRING

REAR TAB 3.05mm

8P8C

GREEN.YELLOW / GREEN.YELLOW

LEADFREE

煜倫股份有限公司

www.morethanall.com

DESCRIPTION: RJ45 1000 BASE-T SINGLE PORT JACK MAGNETICS

四、Mechanicals

Housing Material:

MATERIAL:NYLON 66 UL94V-0 STANDARD COLOR:BLACK

Insert Material:

MATERIAL:Phos-Bronze C5210 EH---0.35mm Thickness

Insert -PBT GF UL94V-0

- 1.PLATING(1) NICKEL
- 2.PLATING(2) 100%Sn
- 3.PLATING(3) GOLD (3u " ~50u ")

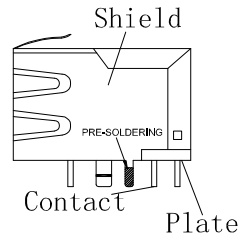
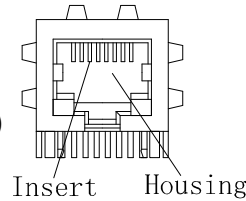


Plate Material:

PBT GF UL 94V-0

Contact pin Material:

MATERIAL: Phos-Bronze C5191---0.35mm Thickness

- 1.PLATING(1) NICKEL
- 2.PLATING(2) 100%Sn

Shielding Material:

BRASS C2680 PLATING NICKEL

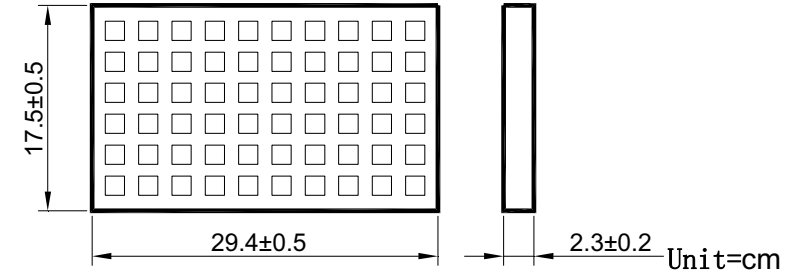
Operating Life:750 Cycles MIN.

五、Environmental

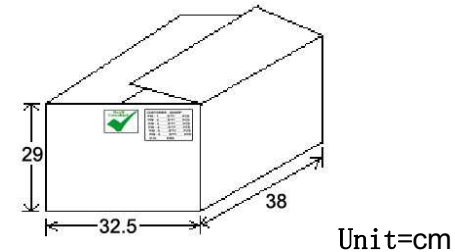
- 1.Storage Temp:-40°C TO +85°C.
- 2.Operating Temp: -40°C TO +85°C.
3. MATES WITH MODULAR PLUG CONFORMING TO FCC PART 68,SUBPARF.

六、Packaging

1. packaging unit : 60 PCS/tray
2. packaging material : PET



3. outer carton unit: 1320 pcs/ 22 Trays/box
4. Weight: 10.8kg per carton



MORETHANALL
PCB CONNECTORS
Cable ASSEMBLIES
煜倫股份有限公司

www.morethanall.com

RoHS Compliant

DRAWING BY CY

CHECKED BY GENIUS

UNIT / mm SCALE 1 : 1

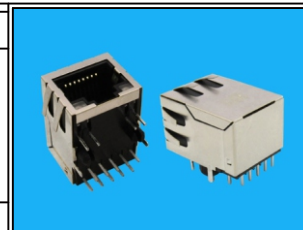
DATE

SIZE A4

TOLERANCES ARE

X, ±
.X ±
.XX ±
.XXX ±
ANG ±

PPOJECTION



ORDER INFORMATION

MJF13T110L-KF06B3GYGY-0808-LF

SERIES

BLACK

06u" GOLD
FULL SPRING

LEADFREE

8P8C

GREEN.YELLOW / GREEN.YELLOW

REAR TAB 3.05mm

DESCRIPTION: RJ45 1000 BASE-T SINGLE PORT JACK MAGNETICS