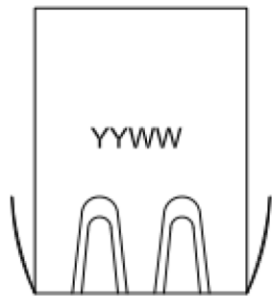
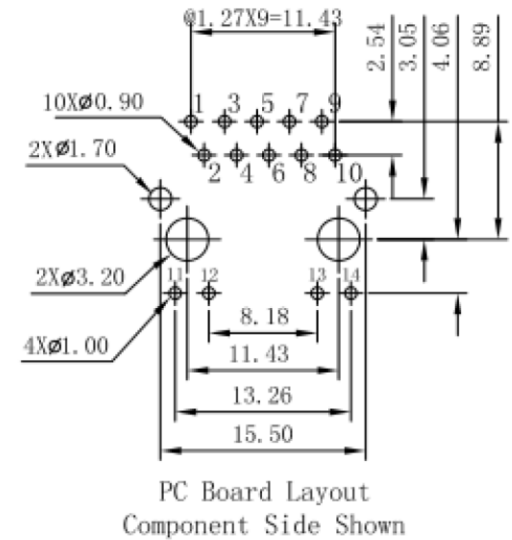
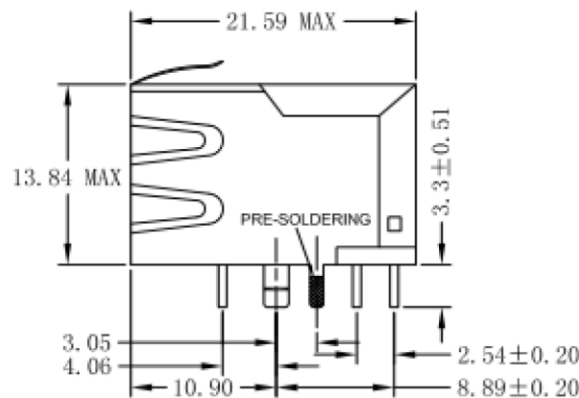
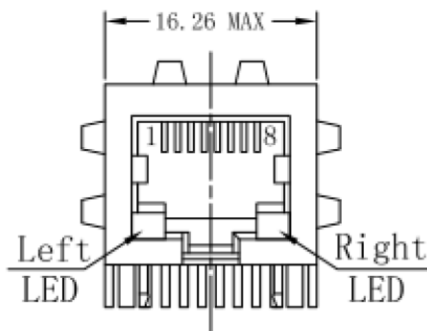


一、Mechanical Dimensions



YY:Year WW:Week



UNIT:mm Unless otherwise specified,all tolerances are ±0.25

RoHS Compliant

TOLERANCES ARE

MORETHANALL
PCB CONNECTORS
Cable ASSEMBLIES

DRAWING BY CY

X, ±

CHECKED BY GENIUS

.X ±

UNIT / mm

SCALE 1 : 1

.XX ±

DATE

.XXX ±

ANG ±

照片框

煜倫股份有限公司

www.morethanall.com

SIZE A4

P PROJECTION

ORDER INFORMATION

MJF13T110L-KF06B3GY-0808

SERIES

8P8C

REAR TAB 3.05mm

06u" GOLD

FULL SPRING

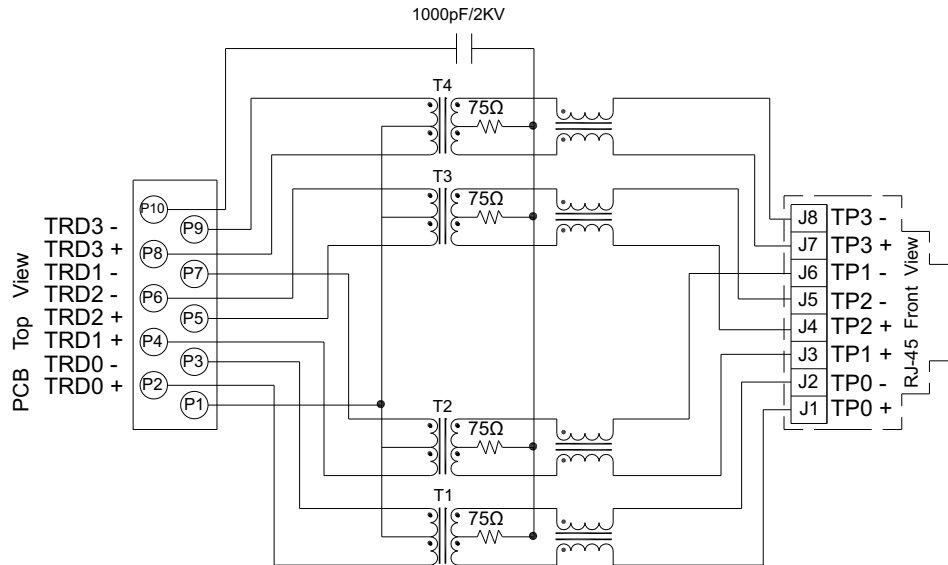
BLACK

LEFT RIGHT

GY:GREEN / YELLOW

DESCRIPTION: RJ45 1000 BASE-T SINGLE PORT JACK MAGNETICS

二、Schematics



三、ELECTRICAL SPECIFICATIONS@25°C:

1. Turn Ratio($\pm 2\%$):1CT:1CT
2. OCL(100KHz/0.1V@8mA):350uH MIN@0°C ~+70°C
3. Insertion Loss(dB MAX):-1.0dB(1-100MHz)
4. Return Loss(dB MIN):-20dB(1-10MHz),-16dB(10-30MHz), -12dB(30-60MHz)
-10dB(60-80MHz)
5. Cross talk(dB MIN):-40dB(1-30MHz),-35dB(30-60MHz), -30dB(60-100MHz)
6. CMR(dB MIN):-35dB(1-100MHz)
7. HI-POT(Pri to Sec):2250VDC
8. Operating Temperature: -40°C ~+85°C
9. RoHS compliance:YES



Standard LED	Wavelength	Forward*V(MAX)	TYP
Green	565nm	2.5v	2.2v
Yellow	585nm	2.5v	2.1v

With a forward current of 20mA

RoHS Compliant

TOLERANCES ARE

MORETHANALL
PCB CONNECTORS
Cable ASSEMBLIES

煜倫股份有限公司

www.morethanall.com

DRAWING BY CY

CHECKED BY GENIUS

UNIT / mm SCALE 1 : 1

DATE

SIZE A4

PJECTION

X, \pm
.X \pm
.XX \pm
.XXX \pm
ANG \pm

照片框

ORDER INFORMATION

MJF13T110L-KF06B3GY-0808

SERIES

REAR TAB 3.05mm 8P8C

06u" GOLD

FULL SPRING

BLACK

LEFT RIGHT

GY:GREEN / YELLOW

DESCRIPTION: RJ45 1000 BASE-T SINGLE PORT JACK MAGNETICS

四、Mechanicals

Housing Material:

MATERIAL:NYLON 66 UL94V-0 STANDARD COLOR:BLACK

Insert Material:

MATERIAL:Phos-Bronze C5210 EH---0.35mm Thickness

Insert -PBT GF UL94V-0

- 1.PLATING(1) NICKEL
- 2.PLATING(2) 100%Sn
- 3.PLATING(3) GOLD (3u " ~ 50u ")

Plate Material:

PBT GF UL 94V-0

Contact pin Material:

MATERIAL: Phos-Bronze C5191---0.35mm Thickness

- 1.PLATING(1) NICKEL
- 2.PLATING(2) 100%Sn

Shielding Material:

BRASS C2680 PLATING NICKEL

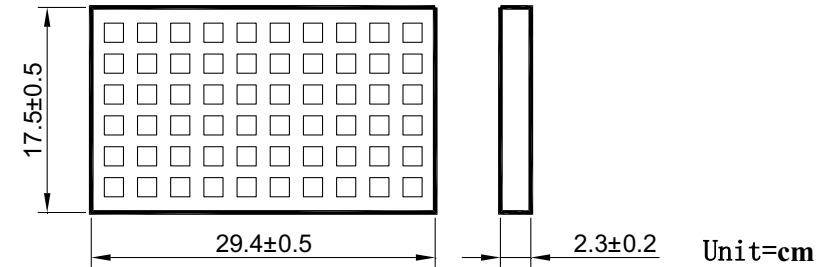
Operating Life:750 Cycles MIN.

五、Environmental

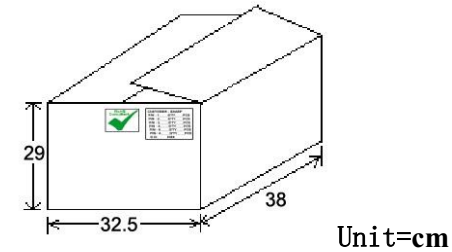
- 1.Storage Temp: -40°C TO +85°C
- 2.Operating Temp: -40°C TO +85°C
3. MATES WITH MODULAR PLUG CONFORMING TO FCC PART 68,SUBPART F.



六、Packaging

1. packaging unit : 60 PCS/tray
2. packaging material : PET



3. outer carton unit: 1320 pcs/ 22 Trays/box
4. Weight: 12.0kg per carton



RoHS Compliant		TOLERANCES ARE	
 煜倫股份有限公司 www.morethanall.com		DRAWING BY CY	X, ±
		CHECKED BY GENIUS	.X ±
UNIT / mm	SCALE 1 : 1	.XXX ±	ANG ±
DATE			
SIZE A4	PPOJECTION		



ORDER INFORMATION			
MJF13T110L-KF06B3GY-0808			
SERIES	REAR TAB 3.05mm	8P8C	
FULL SPRING	06u" GOLD	LEFT	RIGHT
BLACK		GY:GREEN / YELLOW	
DESCRIPTION: RJ45 1000 BASE-T SINGLE PORT JACK MAGNETICS			