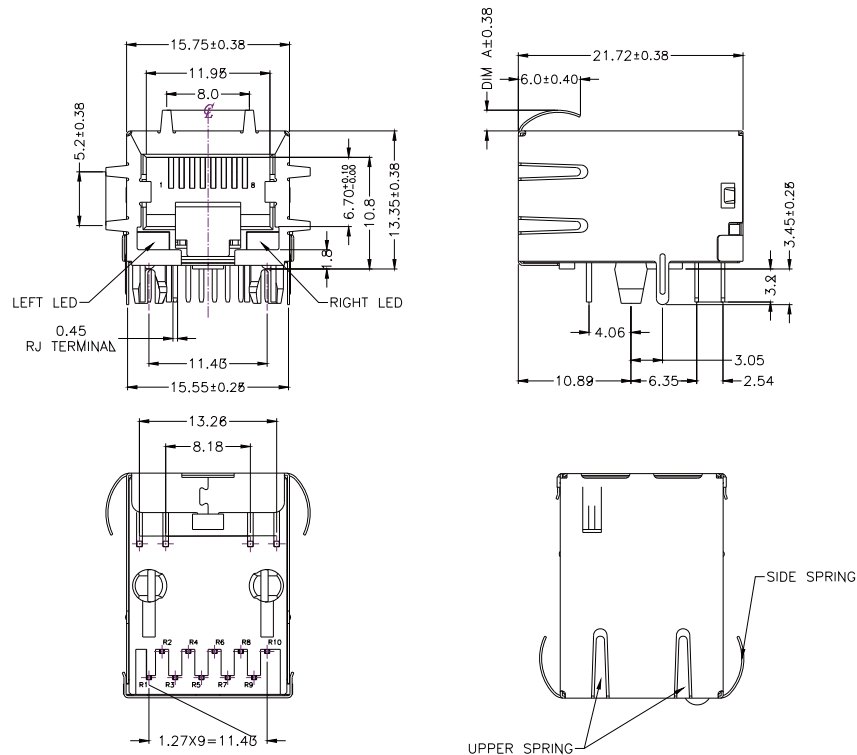
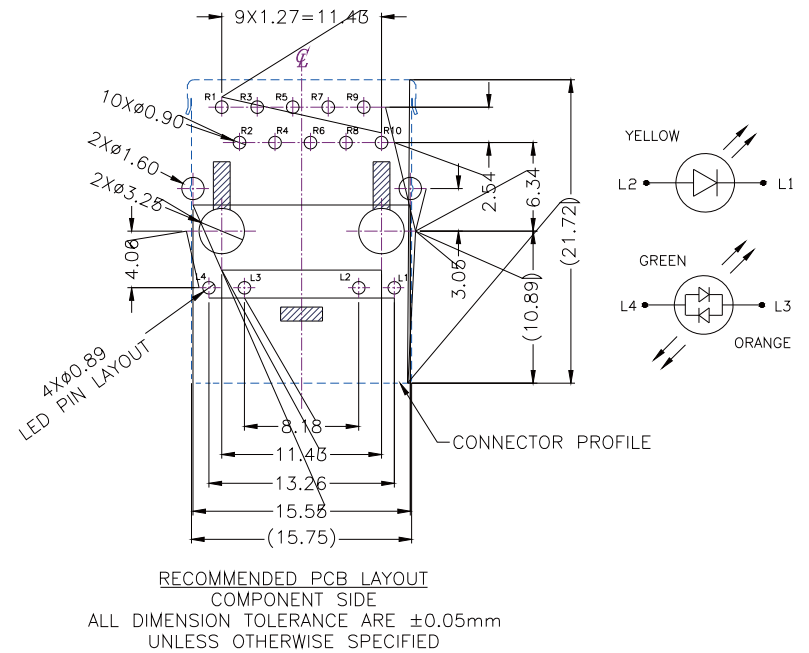


1. MECHANIC DIMENSIONS

1.1 Dimensions



1.2 PCB Layout



RoHS Compliant

TOLERANCES ARE

MORETHANALL
PCB CONNECTORS
Cable ASSEMBLIES

DRAWING BY CY

X. \pm

CHECKED BY GENIUS

.X \pm

UNIT / mm

SCALE 1 : 1

.XX \pm

DATE

.XXX \pm

ANG \pm

煜倫股份有限公司

SIZE A4

P PROJECTION

www.morethanall.com

照片框

ORDER INFORMATION

MJF13T110L-KF06B3GOYX-0808-LF

SERIES

LEADFREE

BLACK

REAR TAB 3.05mm

06u" GOLD
FULL SPRING

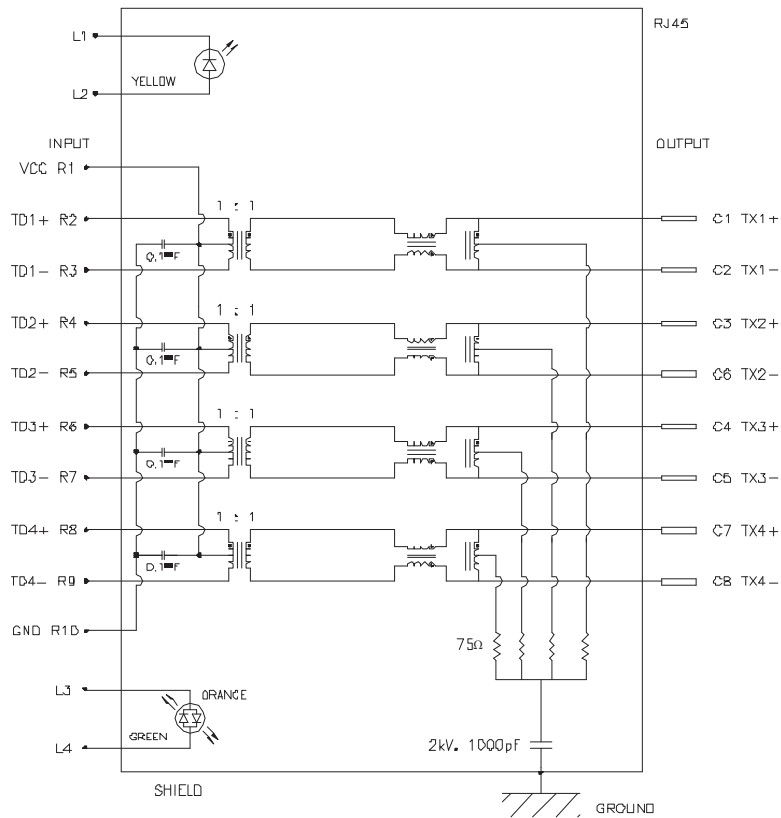
GREEN. ORANGE / YELLOW, X

8P8C

DESCRIPTION:

3. ELECTRICAL CHARACTERISTICS

3.1. Schematic



3.2. Transmitter filter & Receiver filter

Type : Balance low pass $100\ \Omega$ impedance

Insertion loss : 1~100 MHz -1.0dB MAX.

Return loss : 1~30 MHz -18dB MIN. load $100\ \Omega$

30~60 MHz -16dB MIN. load $100\ \Omega$

60~80 MHz -12dB MIN. load $100\ \Omega$

80~100 MHz -10dB MIN. load $100\ \Omega$

3.3. Common Mode Rejection

@ 1~100 MHz -30dB MIN.

3.4. Cross Talk

@ 1~100 MHz -30dB MIN

3.5. INDUCTANCE @ 100KHz, 0.1V, 8mA DC BIAS

Input(R2-R3), Input(R4-R5), Input(R6-R7), Input(R8-R9) : $350\ \mu\text{H}$ MIN.

3.6 HiPot TEST

Input(R2-R3) to Output(C1-C2) : 1500VAC, 60sec or 2250VDC, 60sec

Input(R4-R5) to Output(C3-C6) : 1500VAC, 60sec or 2250VDC, 60sec

Input(R6-R7) to Output(C4-C5) : 1500VAC, 60sec or 2250VDC, 60sec

Input(R8-R9) to Output(C7-C8) : 1500VAC, 60sec or 2250VDC, 60sec

RoHS Compliant

TOLERANCES ARE

MORETHANALL
PCB CONNECTORS
Cable ASSEMBLIES

DRAWING BY CY

X, ±

CHECKED BY GENIUS

.X ±

UNIT / mm

SCALE 1 : 1

.XXX ±

DATE

ANG ±

照片框

ORDER INFORMATION

MJF13T110L-KF06B3GOYX-0808-LF

SERIES

LEADFREE

BLACK

8P8C

GREEN.ORANGE / YELLOW.X

REAR TAB 3.05mm

06u" GOLD
FULL SPRING

煜倫股份有限公司

www.morethanall.com

SIZE A4

PJECTION

DESCRIPTION: