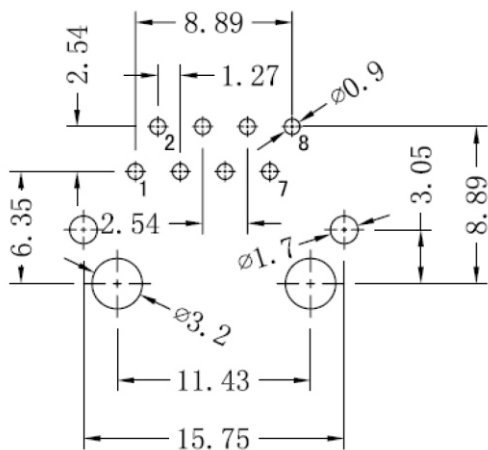
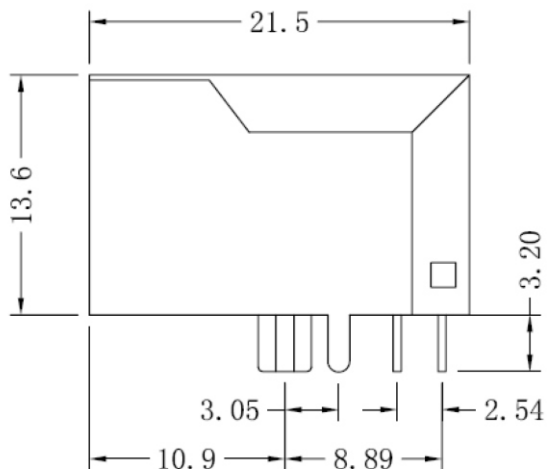
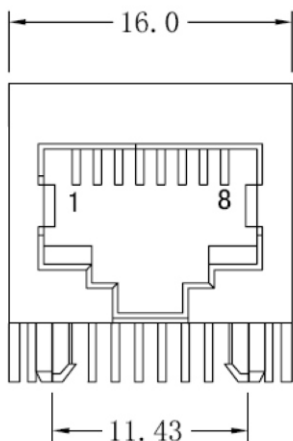


EXTERNAL DIMENSIONS :



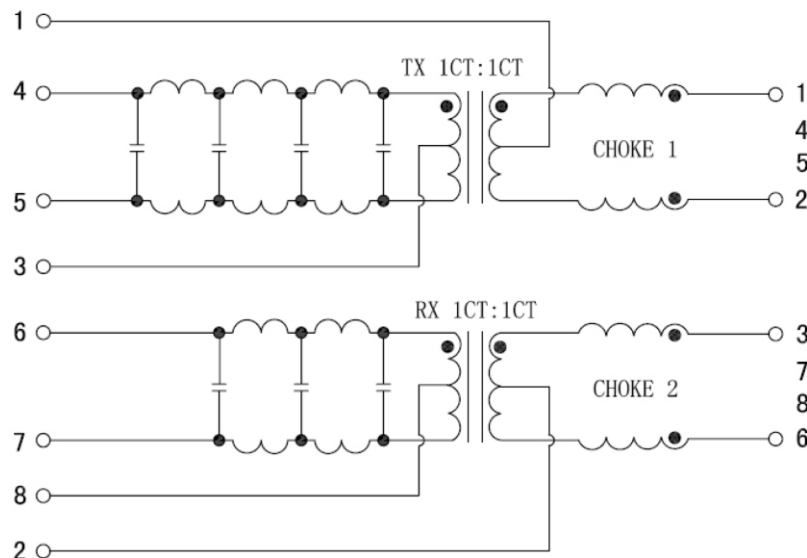
SUGGESTED PCB LAYOUT (TOP VIEW)

RoHS Compliant

ELECTRICAL CHARACTERISTIC :

1. Turn Ratio($\pm 5\%$) : TX=1CT:1CT RX=1CT:1C
2. Return Loss : 5-10 MHz : -13.5dB
3. Crosstalk : 1-10 MHz : -30dB
4. Insertion Loss : -1.0dB Max. @ 1-10 MHz
5. Attenuation : 20 / 25 / 30 / 40 MHz
(TX : -5 / -18 / -28 / -33 dB)
(RX : -4.2 / -11 / -16 / -26 dB)
6. CMR : 30-100 MHz : -30dB
7. Isolation Voltage : 1200Vrms / 0.5mA
8. Inductance : 150uH Min. @ 100KHz / 0.1V

SCHEMATIC DRAWING :



MORETHANALL
CONNECTORS
ASSEMBLIES

PART NO. MJF13T1-KX06B3-0808

DWG NO. MJF13T1-KX06B3-0808

FILE NO.

CHECKED BY CY

DRAWING BY

TOLERANCES ARE

.X \pm 0.2
.XX \pm
.XXX \pm
AWG

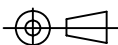
DESCRIPTION:

焜倫股份有限公司

UNIT / mm

SCALE 1:1

PROJECTION



AREA

REVISIONS

HK

DATE