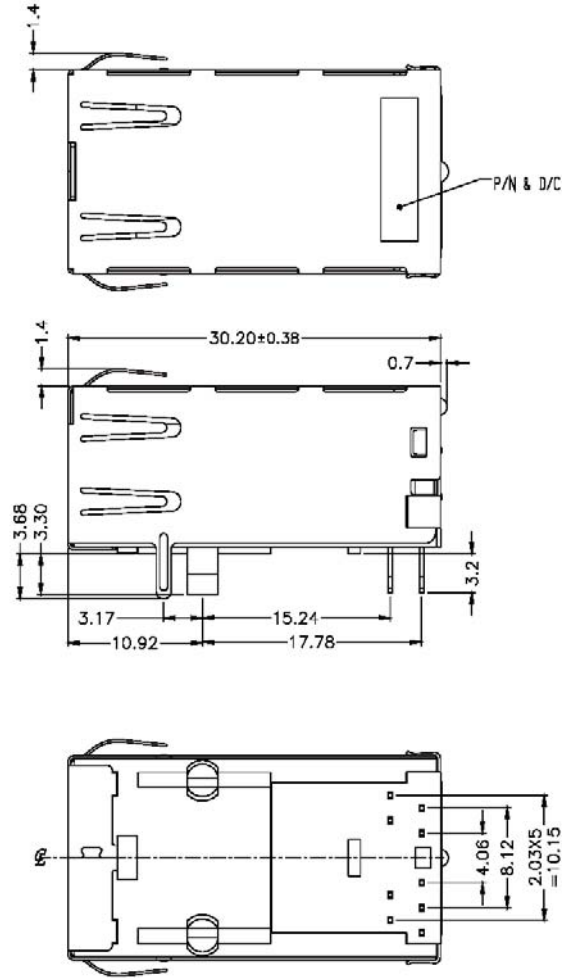
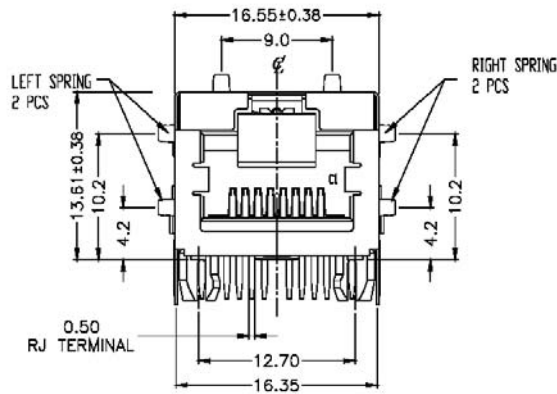
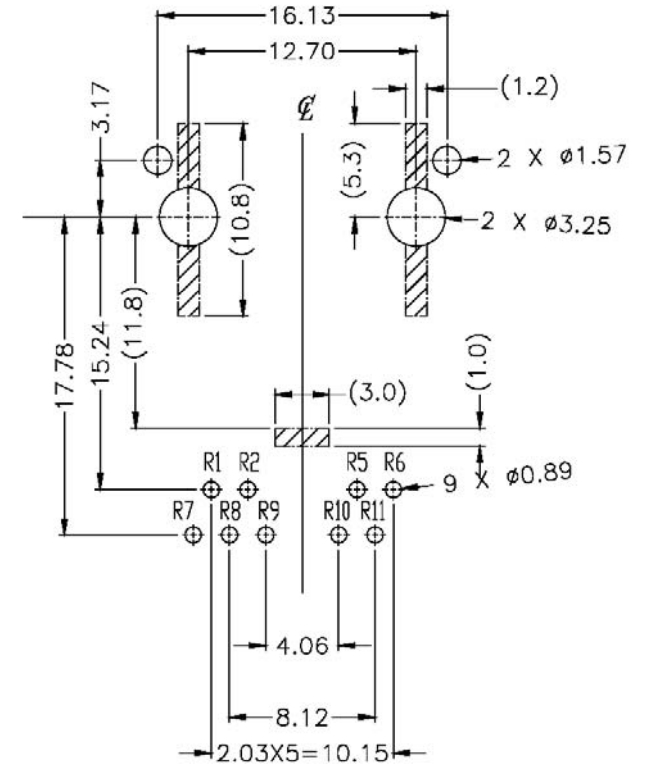


### 1.1. Dimensions



General Tolerance : .X : ±0.25  
.XX : ±0.13

### 1.2. PCB Layout



RECOMMENDED PCB LAYOUT  
COMPONENT SIDE  
ALL DIMENSION TOLERANCE ARE ± 0.05 mm  
UNLESS OTHERWISE SPECIFIED

RoHS Compliant

TOLERANCES ARE

**MORETHANALL**  
PCB CONNECTORS  
Cable ASSEMBLIES

DRAWING BY CY

X, ±

CHECKED BY GENIUS

.X, ±

UNIT / mm

SCALE 1 : 1

.XX, ±

DATE

.XXX, ±

ANG, ±

SIZE A4

P PROJECTION

照片框

ORDER INFORMATION

MJF13T07U-KF06A31-0808-LF

SERIES

LEADFREE

8P8C

FRONT TAB 3.17mm

06u" GOLD

FULL SPRING

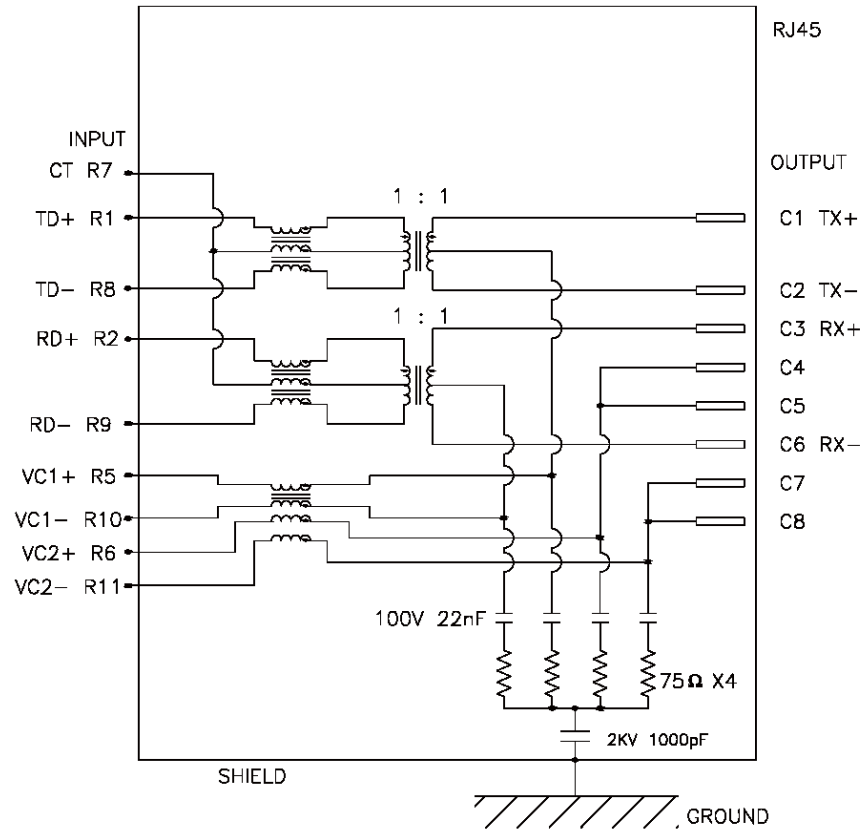
BLACK

煜倫股份有限公司

www.morethanall.com

DESCRIPTION:

## 2.1. SCHEMATIC



### 3.2. Transmitter filter & Receiver filter

Type : Balance low pass 100Ω impedance

Insertion loss : 1~100 MHz -1.0dB MAX.

Return loss : 1~30 MHz -18dB MIN. load 100Ω

30~60 MHz -16dB MIN. load 100Ω

60~80 MHz -12dB MIN. load 100Ω

### 3.3 Common Mode Rejection

@ 1~100 MHz -30dB MIN.

### 3.4 Cross Talk

@ 1~100 MHz -30dB MIN

### 3.5 INDUCTANCE @ 100KHz, 0.1V, 8mA DC BIAS

Input(R1-R8), Input(R2-R9): 350μH MIN.

### 3.6 HiPot TEST

Input(R1-R8) to Output(C1-C2) : 1500VAC, 60sec or 2250VDC, 60sec

Input(R2-R9) to Output(C3-C6) : 1500VAC, 60sec or 2250VDC, 60sec

RoHS Compliant

TOLERANCES ARE

**MORETHANALL**  
PCB CONNECTORS  
Cable ASSEMBLIES

煜倫股份有限公司

www.morethanall.com

DRAWING BY CY

CHECKED BY GENIUS

UNIT / mm SCALE 1 : 1

DATE

SIZE A4

PJECTION

X. ±  
.X ±  
.XX ±  
.XXX ±  
ANG ±

照片框

ORDER INFORMATION

MJF13T07U-KF06A31-0808-LF

SERIES

LEADFREE  
8P8C  
FRONT TAB 3.17mm  
06u" GOLD  
FULL SPRING  
BLACK

DESCRIPTION: