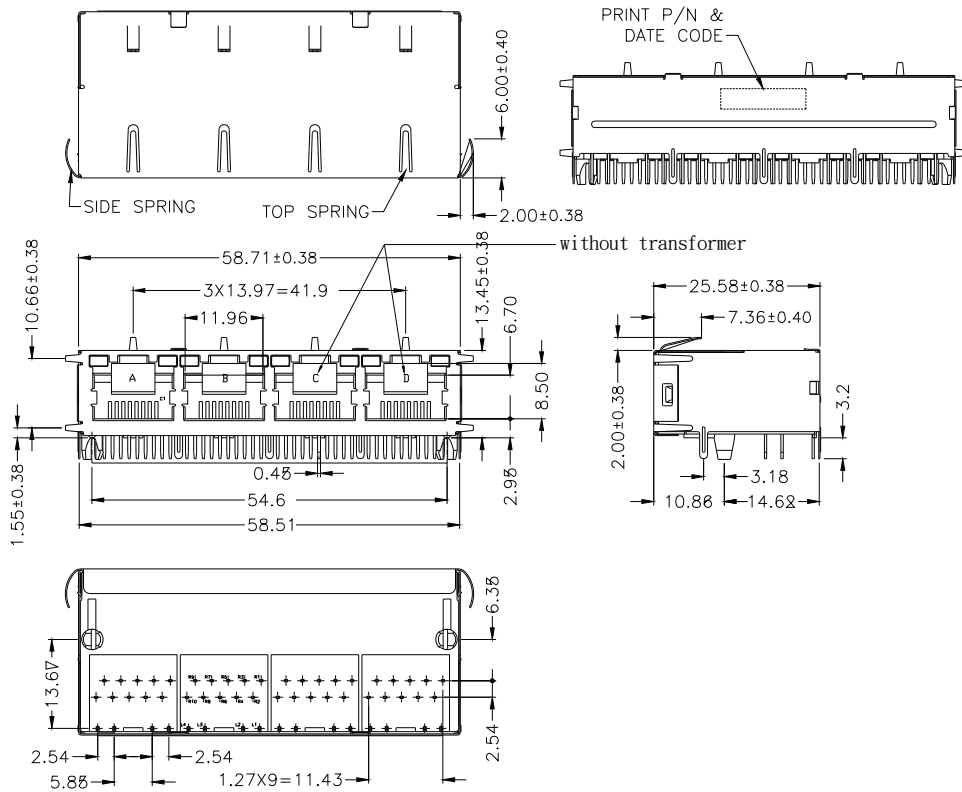
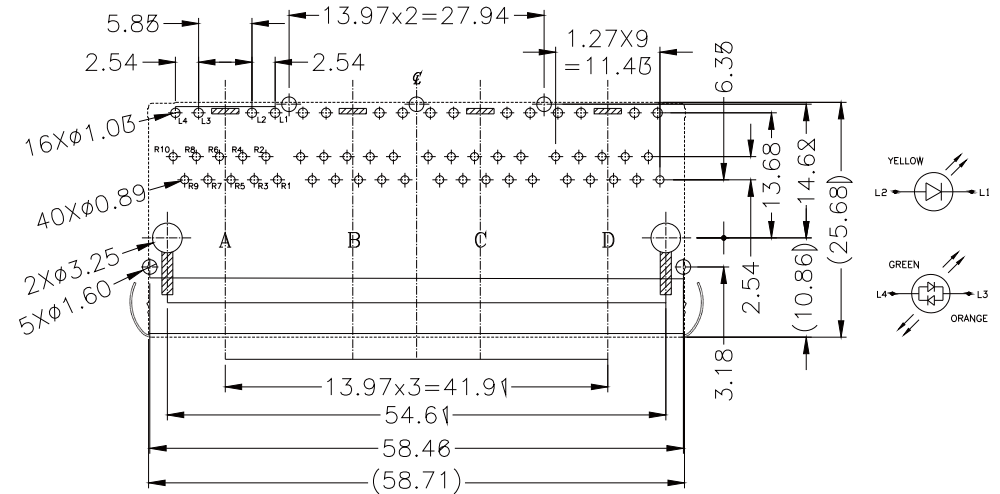


1. MECHANIC DIMENSIONS

1.1. Dimensions



1.2. PCB Layout



RECOMMENDED PCB LAYOUT
COMPONENT SIDE
ALL DIMENSION TOLERANCE ARE ±0.05mm
UNLESS OTHERWISE SPECIFIED

RoHS Compliant

TOLERANCES ARE

MORETHANALL
PCB CONNECTORS
Cable ASSEMBLIES

DRAWING BY CY

X, ±
.X ± 0.25

CHECKED BY GENIUS

.XX ± 0.13

UNIT / mm

SCALE 1 : 1

.XXX ±

ANG ±

DATE

SIZE A4

PJECTION

照片框

ORDER INFORMATION

MJF13T056ULA4-KF06B3GOYX-0808-LF

SERIES

LEADFREE

8P8C

GREEN, ORANGE / YELLOW, X

BLACK

REAR TAB 3.05mm

06u" GOLD

FULL SPRING

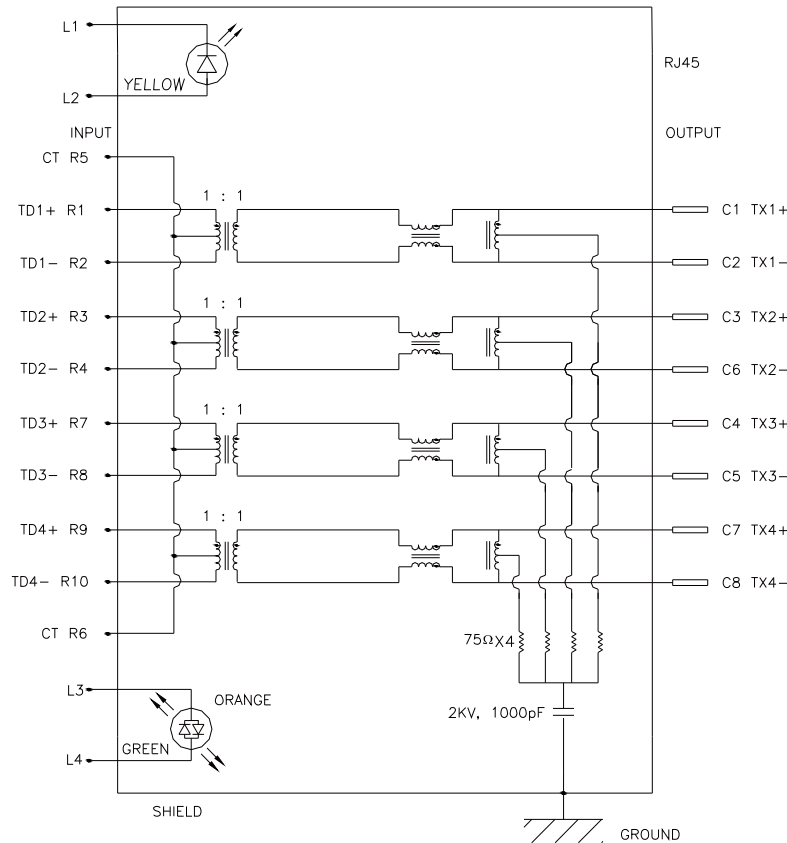
煜倫股份有限公司

www.morethanall.com

DESCRIPTION:

3. ELECTRICAL CHARACTERISTICS

3.1 SCHEMATIC (port A, B)



3.1.1 Transmitter filter & Receiver filter

Type : Balance low pass 100Ω impedance

Insertion loss : 1~100 MHz -1.0dB MAX.

Return loss : 1~30 MHz -18dB MIN. load 100Ω
 30~60 MHz -16dB MIN. load 100Ω
 60~80 MHz -12dB MIN. load 100Ω
 80~100 MHz -10dB MIN. load 100Ω

3.1.2 Common Mode Rejection

@ 1~100 MHz -30dB MIN.

3.1.3 Cross Talk

@ 1~100 MHz -30dB MIN

3.1.4 INDUCTANCE @ 100KHz, 0.1V, 8mA DC BIAS

Input(R1-R2), Input(R3-R4), Input(R7-R8), Input(R9-R10) : 350μH MIN.

3.1.5 HiPot TEST

Input(R1-R2) to Output(C1-C2) : 1500VAC, 60sec

Input(R3-R4) to Output(C3-C6) : 1500VAC, 60sec

Input(R7-R8) to Output(C4-C5) : 1500VAC, 60sec

Input(R9-R10) to Output(C7-C8) : 1500VAC, 60sec

RoHS Compliant

TOLERANCES ARE

MORETHANALL
 PCB CONNECTORS
 Cable ASSEMBLIES

DRAWING BY CY

X, ±

CHECKED BY GENIUS

.X ± 0.25

UNIT / mm

SCALE 1 : 1

.XX ± 0.13

DATE

.XXX ±

ANG ±

照片框

ORDER INFORMATION

MJF13T056ULA4-KF06B3GOYX-0808-LF

SERIES

LEADFREE

8P8C

GREEN, ORANGE / YELLOW, X

BLACK

REAR TAB 3.05mm

06u" GOLD

FULL SPRING

煜倫股份有限公司

www.morethanall.com

SIZE A4

PJECTION

DESCRIPTION: