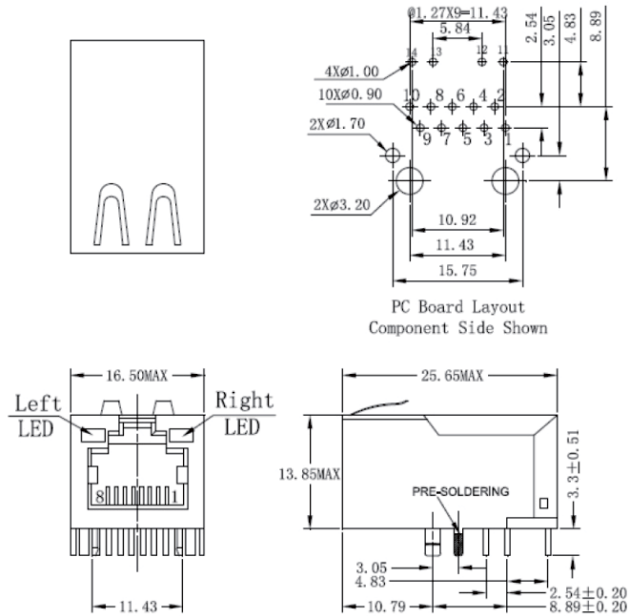
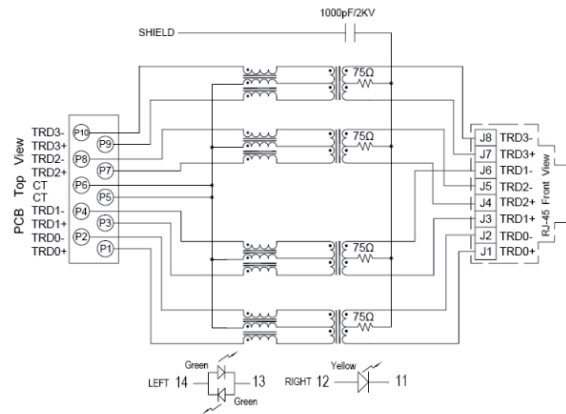


一、Mechanical Dimensions



UNIT:mm Unless otherwise specified, all tolerances are ± 0.25

二、Schematics



三、ELECTRICAL SPECIFICATIONS@25°C:

1. Turn Ratio($\pm 5\%$): 1CT:1CT
2. OCL(100KHz/0.1V@8mA):350uH MIN.
3. Insertion Loss(dB MAX):-1.2dB(0.3-100MHz)
4. Return Loss(dB MIN): -16dB(1-30MHz),-13.5dB(40MHz),-11.5dB(50MHz),
-10dB(60-100MHz)
5. Cross talk(dB MIN):-40dB(30MHz),-36dB(60MHz),-30dB(100MHz)
6. DCMR(dB MIN): -35dB(30MHz),-32dB(60MHz),-30dB(100MHz)
7. HI-POT(Pri to Sec) : 1500Vrms/0.5mA/60Sec or 1650Vrms/0.5mA/2Sec
8. Operating Temperature:0°C TO +70°C
9. RoHS compliance:YES

RoHS Compliant

TOLERANCES ARE

MORETHANALL
PCB CONNECTORS
Cable ASSEMBLIES

DRAWING BY CY

CHECKED BY GENIUS

UNIT / mm

SCALE 1 : 1

DATE

SIZE A4

PPOJECTION

X, \pm
X, \pm
.XX \pm
.XXX \pm
ANG \pm

照片框

ORDER INFORMATION

MJF13T056UL-KT06B3GGYX-0808-LF

SERIES

LEADFREE
8P8C
GREEN, GREEN / YELLOW, X
REAR TAB 3.05mm
06u" GOLD
TOP SPRING

BLACK

煜倫股份有限公司

www.morethanall.com

DESCRIPTION:

四、Mechanicals

Housing Material:

MATERIAL:NYLON GF (Fr50) UL94V-0 STANDARD COLOR:BLACK

Insert Material:

MATERIAL:Phos-Bronze C5210 EH---0.35mm Thickness

Insert -PBT GF UL94V-0

- 1.PLATING(1) NICKEL
- 2.PLATING(2) 100%Sn
- 3.PLATING(3) GOLD (3u " ~50u ")

Plate Material:

PBT GF UL 94V-0

Contact pin Material:

MATERIAL: Phos-Bronze C5191---0.35mm Thickness

- 1.PLATING(1) NICKEL
- 2.PLATING(2) 100%Sn

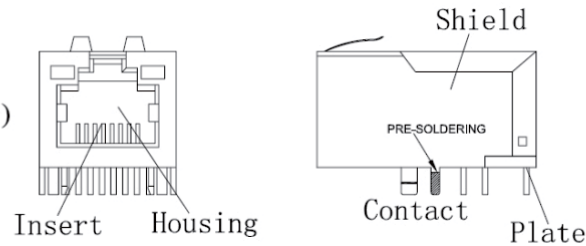
Shielding Material:

BRASS C2680 PLATING NICKEL

Operating Life:750 Cycles MIN.

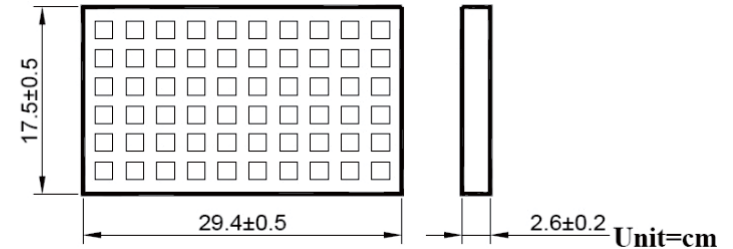
五、Environmental

- 1.Storage Temp:-40°C TO +85°C.
- 2.Operating Temp: -40°C TO +85°C.
- 3.MATES WITH MODULAR PLUG CONFORMING TO FCC PART 68,SUBPART F.

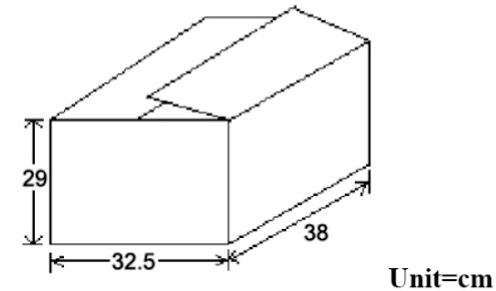


六、Packaging

1. packaging unit : 60 PCS/tray
2. packaging material : PET



3. outer carton unit: 1080 pcs/ 18 Trays/box



RoHS Compliant

TOLERANCES ARE

MORETHANALL
PCB CONNECTORS
Cable ASSEMBLIES

煜倫股份有限公司

www.morethanall.com

DRAWING BY CY

CHECKED BY GENIUS

UNIT / mm SCALE 1 : 1

DATE

SIZE A4

X, ±
.X ±
.XX ±
.XXX ±
ANG ±

PPOJECTION

照片框

ORDER INFORMATION

MJF13T056UL-KT06B3GGYX-0808-LF

SERIES

BLACK

LEADFREE
8P8C
GREEN, GREEN / YELLOW, X
REAR TAB 3.05mm
06u" GOLD
TOP SPRING

DESCRIPTION: