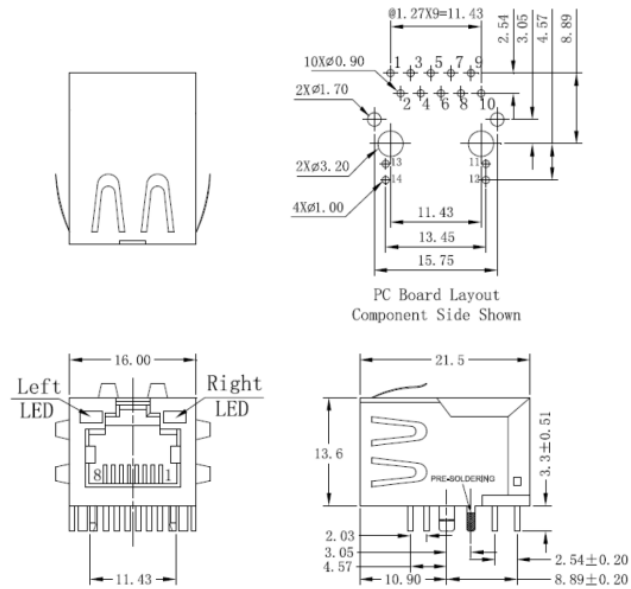
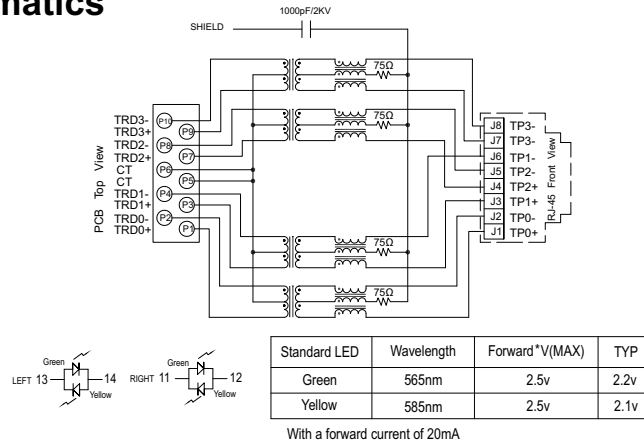


## 一、Mechanical Dimensions



Unit : mm Unless otherwise specified, all tolerances are  $\pm 0.25$

## 二、Schematics



## 三、ELECTRICAL SPECIFICATIONS@25°C:

1. Turn Ratio( $\pm 5\%$ ): 1CT:1CT
2. Inductance(100KHz/0.1V@8mA):400uH MIN
3. Insertion Loss (dB MAX):-1.0dB(1-100MHz)
4. Return Loss (dB MIN): -18dB(1-30MHz),-14dB(30-60MHz),-12dB(60-80MHz)  
-10dB(80-100MHz)
5. Cross talk(dB MIN): -30dB(1-100MHz)
6. CMR (dB MIN):-30dB(1-100MHz)
7. HI-POT(Pri to Sec):1500Vrms
8. Operating Temperature:-20°C TO + 85 °C
9. RoHS compliance:YES

**MORETHANALL**  
PCB CONNECTORS  
Cable ASSEMBLIES  
煜倫股份有限公司  
www.morethanall.com

**RoHS Compliant**

DRAWING BY CY

CHECKED BY GENIUS

UNIT / mm SCALE 1 : 1

DATE

SIZE A4

TOLERANCES ARE

X,  $\pm$   
.X  $\pm$   
.XX  $\pm$   
.XXX  $\pm$   
ANG  $\pm$

PJECTION

照片框

ORDER INFORMATION

MJF13T056UL-KF06B3xx24-0808

SERIES | LED1 / LED2 | 8P8C  
BLACK | GG:GREEN / GREEN  
FULL SPRING | YG:YELLOW / GREEN  
REAR TAB 3.05mm  
06u" GOLD

DESCRIPTION: 1000 BASE-T SINGLE PORT RJ-45 JACK MAGNETICS

## 四、Mechanicals

### Housing Material:

MATERIAL:NYLON GF (Fr50) UL94V-0 STANDARD COLOR:BLACK

### Insert Material:

MATERIAL:Phos ronze C5210 EH---0.35mm Thickness

Insert BT GF UL94V-0

1.PLATING(1) NICKEL

2.PLATING(2) 100%Sn

3.PLATING(3) GOLD (3u " ~50u " )

### Plate Material:

PBT GF UL 94V-0

### Contact pin Material:

MATERIAL: Phos ronze C5191---0.35mm Thickness

1.PLATING(1) NICKEL

2.PLATING(2) 100%Sn

### Shielding Material:

BRASS C2680 PLATING NICKEL

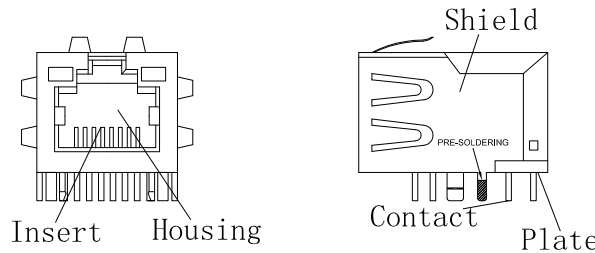
Operating Life:750 Cycles MIN.

## 五、Environmental

1.Storage Temp:-40°C TO +85°C.

2.Operating Temp: -20°C TO +85°C

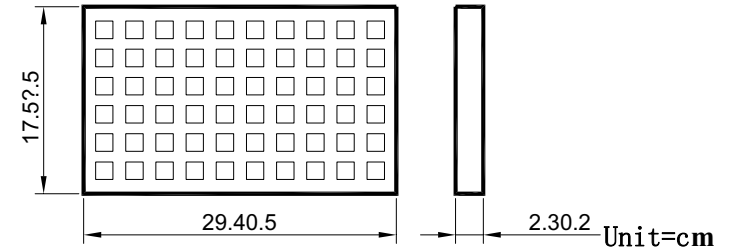
3. MATES WITH MODULAR PLUG CONFORMING TO FCC PART 68,SUBPART F.



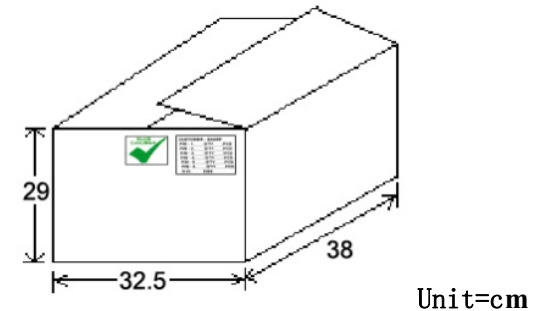
## 六、Packaging

1. packaging unit : 60 PCS/tray

2. packaging material : PET



3. outer carton unit : 1320 pcs/ 22 Trays/box



RoHS Compliant

TOLERANCES ARE

**MORETHANALL**  
PCB CONNECTORS  
Cable ASSEMBLIES

煜倫股份有限公司

www.morethanall.com

DRAWING BY CY

CHECKED BY GENIUS

UNIT / mm SCALE 1 : 1

DATE

SIZE A4

X. ±

.X ±

.XX ±

.XXX ±

ANG ±

PPOJECTION

照片框

ORDER INFORMATION

MJF13T056UL-KF06B3xx24-0808

SERIES

BLACK

FULL SPRING

LED1 / LED2 8P8C

GG:GREEN / GREEN

YG:YELLOW / GREEN

REAR TAB 3.05mm

06u" GOLD

DESCRIPTION: 1000 BASE-T SINGLE PORT RJ-45 JACK MAGNETICS