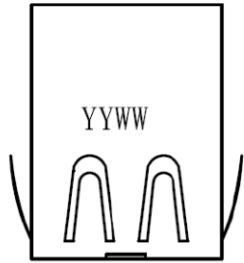
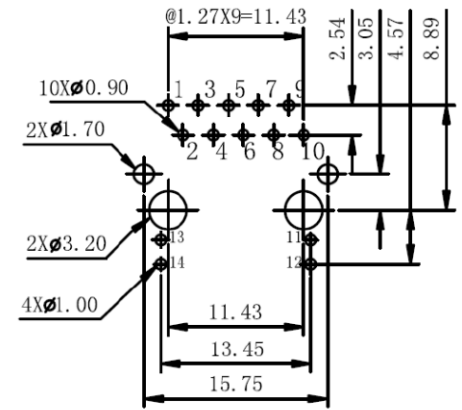
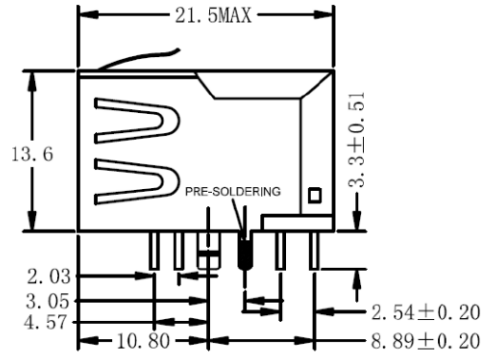
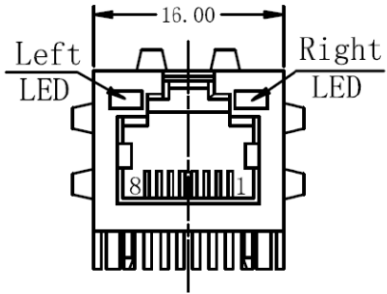


# 一、Mechanical Dimensions



YY:Year WW:Week



PC Board Layout  
Component Side Shown

Unit : mm Unless otherwise specified, all tolerances are  $\pm 0.25$

**RoHS Compliant**

TOLERANCES ARE

**MORETHANALL**  
PCB CONNECTORS  
Cable ASSEMBLIES

DRAWING BY CY

X.±

CHECKED BY GENIUS

.X±

UNIT / mm

SCALE 1 : 1

.XX±

DATE

.XXX±

ANG ±

照片框

ORDER INFORMATION

MJF13T056UL-KF06B3GYGY24-0808

SERIES

8P8C

LEFT

RIGHT

BLACK

GREEN, YELLOW / GREEN, YELLOW

FULL SPRING

REAR TAB 3.05mm

06u" GOLD

煜倫股份有限公司

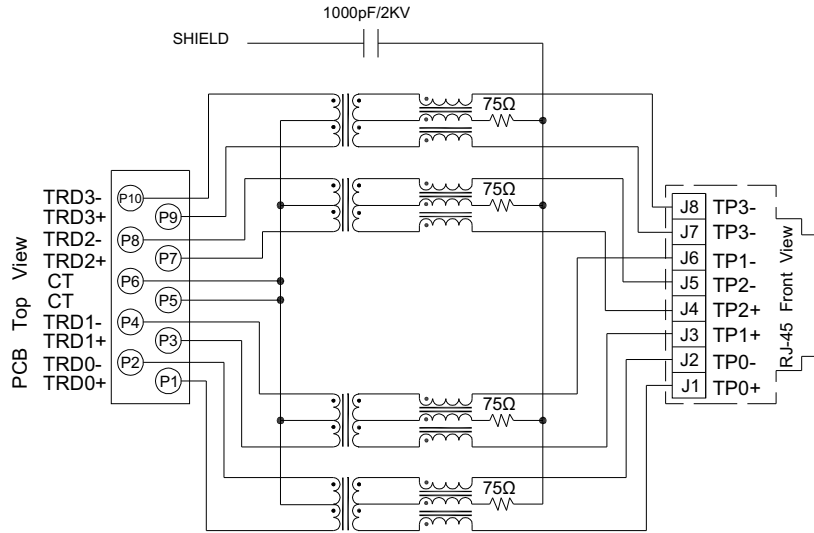
www.morethanall.com

SIZE A4

PJECTION

DESCRIPTION: 1000 BASE-T SINGLE PORT RJ-45 JACK MAGNETICS

## 二、Schematics



## 三、ELECTRICAL SPECIFICATIONS@25 °C:

1. Turn Ratio( $\pm 3\%$ ): 1CT:1CT
2. Inductance(100KHz/0.1V@8mA):350uH MIN@0°C~+ 70°C
3. Insertion Loss (dB MAX): -1.0dB(1-100MHz)
4. Return Loss (dB MIN): -18dB(1-30MHz),-14dB(30-60MHz),-12dB(60-80MHz)  
-10dB(80-100MHz)
5. Cross talk(dB MIN): -30dB(1-100MHz)
6. CMR (dB MIN): -30dB(1-100MHz)
7. HI-POT(Pri to Sec): 1500Vrms/0.5mA/60Sec or 1650Vrms/0.5mA/2Sec
8. Operating Temperature: -40°C TO + 85°C
9. RoHS compliance:YES



Standard LED	Wavelength	Forward*V(MAX)	TYP
Green	565nm	2.5v	2.2v
Yellow	585nm	2.5v	2.1v

With a forward current of 20mA

**RoHS Compliant**

TOLERANCES ARE

**MORETHANALL**  
PCB CONNECTORS  
Cable ASSEMBLIES

DRAWING BY CY

CHECKED BY GENIUS

UNIT / mm SCALE 1 : 1

DATE

SIZE A4

X,  $\pm$   
.X  $\pm$  0.25  
.XX  $\pm$  0.15  
.XXX  $\pm$  0.05  
ANG  $\pm$

PJECTION

照片框

ORDER INFORMATION

MJF13T056UL-KF06B3GYGY24-0808

SERIES 8P8C  
LEFT / RIGHT  
BLACK GREEN, YELLOW / GREEN, YELLOW  
FULL SPRING REAR TAB 3.05mm  
06u" GOLD

煜倫股份有限公司

www.morethanall.com

DESCRIPTION:

#### 四、Mechanicals

##### Housing Material:

MATERIAL:NYLON 66 UL94V-0 STANDARD COLOR:BLACK

##### Insert Material:

MATERIAL:Phos-Bronze C5210 EH--0.35mm Thickness

Insert -PBT GF UL94V-0

- 1.PLATING(1) NICKEL
- 2.PLATING(2) 100%Sn
- 3.PLATING(3) GOLD (3u " ~50u " )

##### Plate Material:

PBT GF UL 94V-0

##### Contact pin Material:

MATERIAL: Phos-Bronze C5191---0.35mm Thickness

- 1.PLATING(1) NICKEL
- 2.PLATING(2) 100%Sn

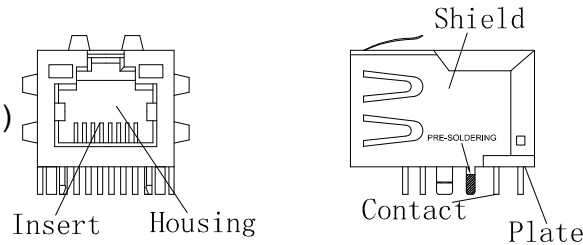
##### Shielding Material:

BRASS C2680 PLATING NICKEL

Operating Life:750 Cycles MIN.

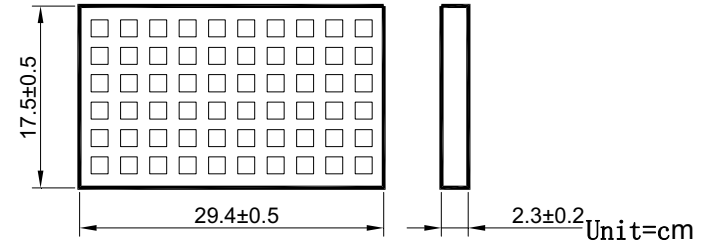
#### 五、Environmental

- 1.Storage Temp:-40°C TO +85°C.
- 2.Operating Temp: -40°C TO +85°C
3. MATES WITH MODULAR PLUG CONFORMING TO FCC PART 68,SUBPARTF.

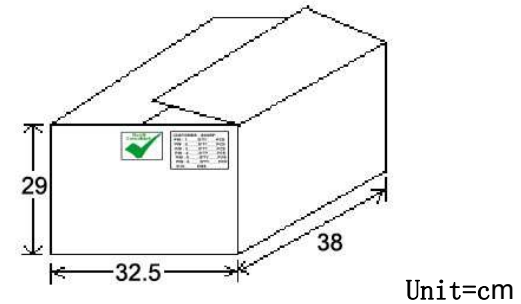


#### 六、Packaging

1. packaging unit : 60 PCS/tray
2. packaging material : PET



3. outer carton unit 1320 pcs/ 22 Trays/box
4. Weight: 11.50kg per carton



**MORETHANALL**  
PCB CONNECTORS  
Cable ASSEMBLIES  
煜倫股份有限公司  
www.morethanall.com

RoHS Compliant

TOLERANCES ARE

DRAWING BY CY		X, ±
CHECKED BY GENIUS		.X ± 0.25
UNIT / mm	SCALE 1 : 1	.XX ± 0.15
DATE		.XXX ± 0.05
SIZE A4	PPOJECTION	ANG ±

照片框

ORDER INFORMATION

MJF13T056UL-KF06B3GYGY24-0808

SERIES 8P8C  
LEFT / RIGHT  
BLACK GREEN, YELLOW / GREEN, YELLOW  
FULL SPRING REAR TAB 3.05mm  
06u" GOLD

DESCRIPTION: