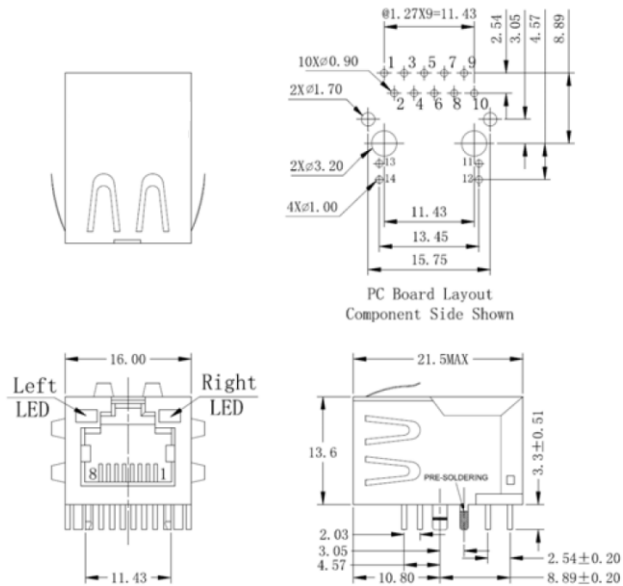
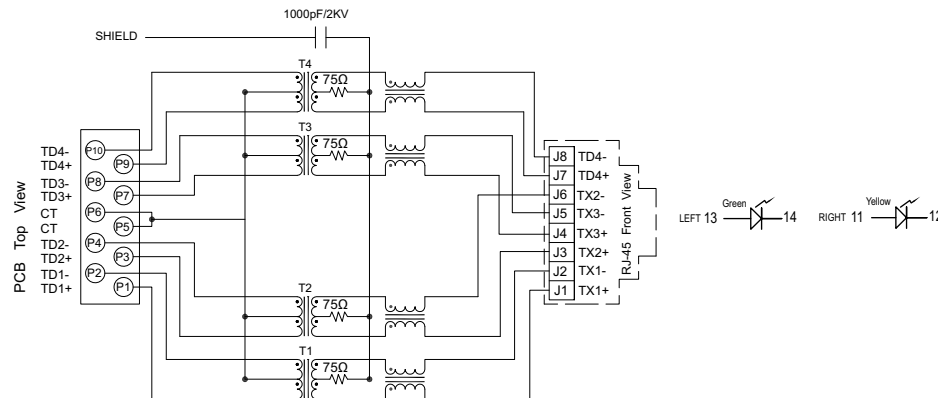


一、Mechanical Dimensions



Unit: mm Unless otherwise specified, all tolerances are ± 0.25

二、Schematics



Standard LED	Wavelength	Forward* V(MAX)	TYP
Green	565nm	2.5v	2.2v
Yellow	585nm	2.5v	2.1v

With a forward current of 20mA

三、ELECTRICAL SPECIFICATIONS@25°C:

1. Turn Ratio(?%): 1CT:1CT
2. Inductance(100KHz/0.1V@8mA): 350uH MIN
3. Insertion Loss (dB MAX): -1.2dB(0.1-100MHz)
4. Return Loss (dB MIN): -18dB(1-30MHz),-14dB(30-60MHz),-12dB(60-80MHz)
5. Cross talk(dB MIN): -30dB(1-100MHz)
6. CMR (dB MIN): -30dB(1-100MHz)
7. HI-POT(Pri to Sec): 1500Vrms
8. Operating Temperature: -40°C TO + 85°C
9. RoHS compliance: YES

RoHS Compliant

TOLERANCES ARE

MORETHANALL
PCB CONNECTORS
Cable ASSEMBLIES

DRAWING BY CY

X, \pm

CHECKED BY GENIUS

.X \pm

UNIT / mm

SCALE 1 : 1

.XX \pm

DATE

.XXX \pm

ANG \pm

SIZE A4

PJECTION

照片框

ORDER INFORMATION

MJF13T056UL-KF06B3GY24-0808

SERIES

8P8C

LEFT / RIGHT

BLACK

GREEN / YELLOW

FULL SPRING

REAR TAB 3.05mm

06u" GOLD

煜倫股份有限公司

www.morethanall.com

DESCRIPTION: 1000 BASE-T SINGLE PORT RJ-45 JACK MAGNETICS

四、Mechanicals

Housing Material:

MATERIAL:NYLON 66 UL94V-0 STANDARD COLOR:BLACK

Insert Material:

MATERIAL:Phos ronze C5210 EH---0.35mm Thickness

Insert BT GF UL94V-0

1.PLATING(1) NICKEL

2.PLATING(2) 100%Sn

3.PLATING(3) GOLD (3u " ~50u ")

Plate Material:

PBT GF UL 94V-0

Contact pin Material:

MATERIAL: Phos ronze C5191---0.35mm Thickness

1.PLATING(1) NICKEL

2.PLATING(2) 100%Sn

Shielding Material:

BRASS C2680 PLATING NICKEL

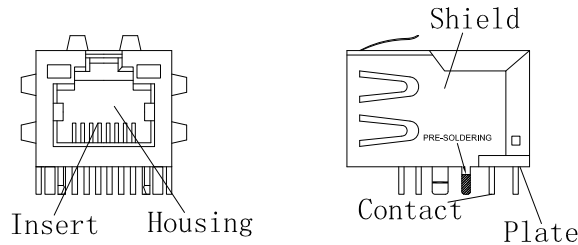
Operating Life:750 Cycles MIN.

五、Environmental

1.Storage Temp:-40°C TO +85°C.

2.Operating Temp: -40°C TO +85°C

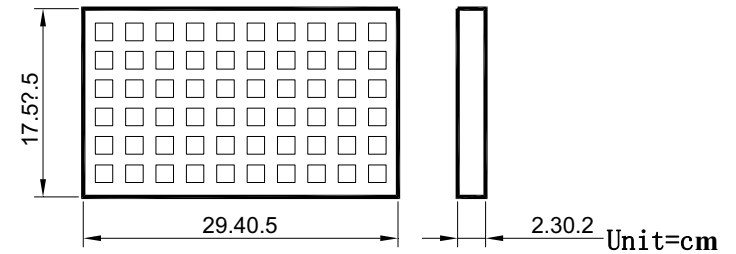
3. MATES WITH MODULAR PLUG CONFORMING TO FCC PART 68,SUBPARTE.



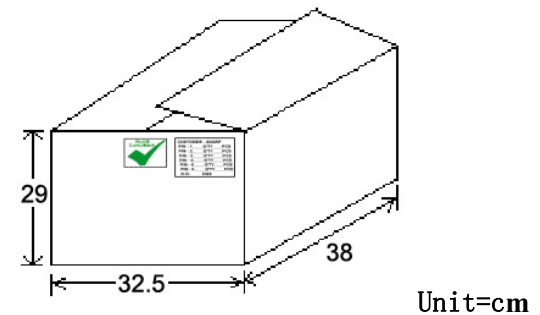
六、Packaging

1. packaging unit : 60 PCS/tray

2. packaging material : PET



3. outer carton unit : 1320 pcs/ 22 Trays/box



RoHS Compliant

TOLERANCES ARE

MORETHANALL
PCB CONNECTORS
Cable ASSEMBLIES

煜倫股份有限公司

www.morethanall.com

DRAWING BY CY

CHECKED BY GENIUS

UNIT / mm SCALE 1 : 1

DATE

SIZE A4

X. ±
.X ±
.XX ±
.XXX ±
ANG ±

PPOJECTION

照片框

ORDER INFORMATION

MJF13T056UL-KF06B3GY24-0808

SERIES

8P8C

BLACK

LEFT / RIGHT
GREEN / YELLOW

FULL SPRING

REAR TAB 3.05mm

06u" GOLD

DESCRIPTION: 1000 BASE-T SINGLE PORT RJ-45 JACK MAGNETICS