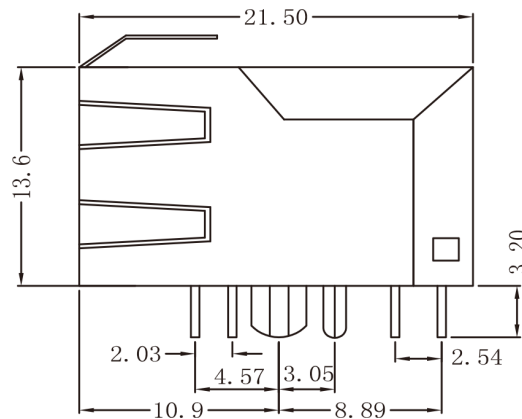


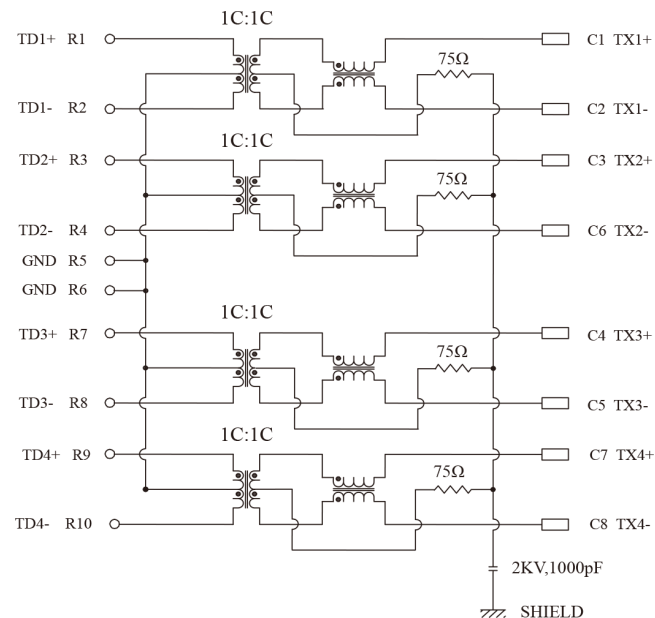
Suggested PCB Layout (TOP VIEW)



NOTES:

1. MATERIALS:

- Housing Material: PBT Black
 - Contacts: PHOSPHOR BRONZE GOLD PLATING OVER NICKEL
 - SHIELDING: THICKNESS COPPER ALLOY WITH TIN PLATED
2. JACK CAVITY CONFORMS TO FCC RULES AND REGULATIONS PART 68, SUBPART F



Electrical:

- Voltage Rating: 125 Vac Rms.
- Current Rating: 1.5 Amp.
- Contact Resistance: 40 Milliohms Max.
- Insulation Resistance: 1000 Megohms Min @500 Vdc.
- Dielectric Strength: 1000 Vac Rms 60Hz, 1Min.

Mechanical:

- Operating: 750 Cycles Min.

Environmental:

- Storage: -40°C To +85°C.
- Operation: -20°C To +75°C.

Mates With Modular Plug Conforming To FCC Part 68 Subpart F

RoHS Compliant

TOLERANCES ARE



DRAWING BY CY		X ± 0.50
CHECKED BY GENIUS		.X ± 0.38
UNIT / mm	SCALE 1 : 1	.XX ± 0.25
DATE		.XXX ± 0.10
		ANG ± 3°

SIZE A4 PPROJECTION

照片框

ORDER INFORMATION

MJF13T056UL-KF06B3GXGO24-0808

SERIES 8P8C
LEFT / RIGHT
BLACK GREEN / GREEN / ORANGE
FULL SPRING REAR TAB 3.05mm
06u" GOLD

DESCRIPTION:

www.morethanall.com