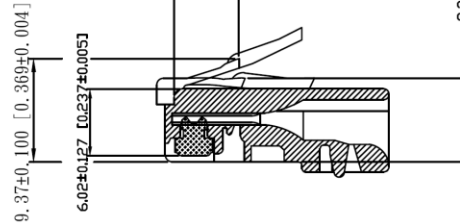
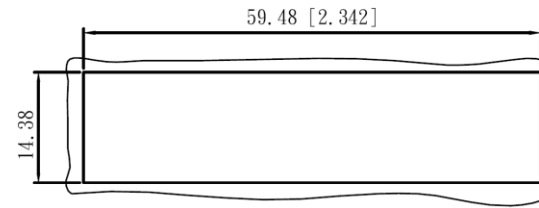
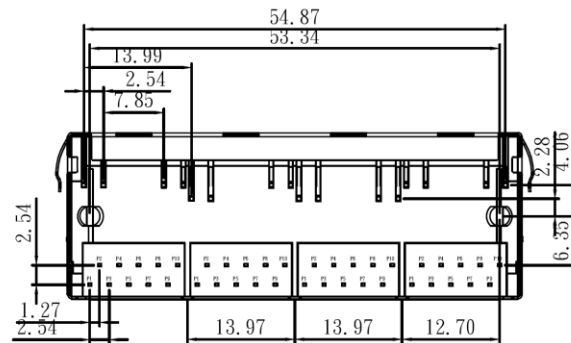
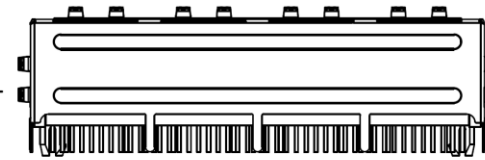
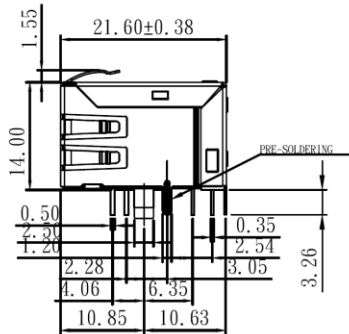
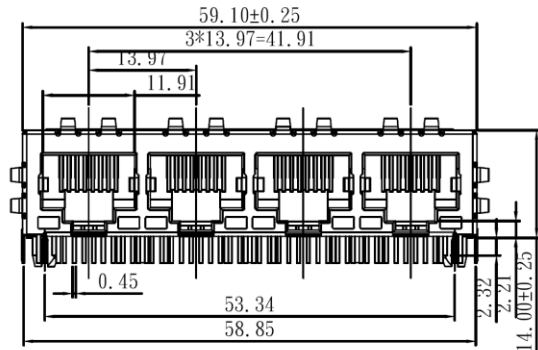
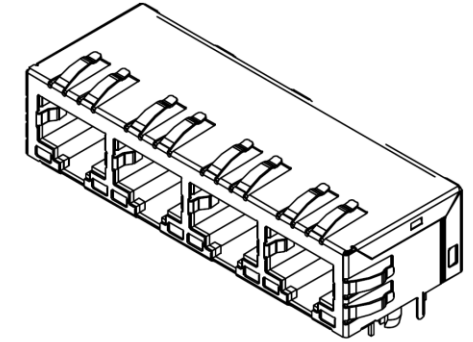


5.89±0.127 [0.232±0.005]



8.95 [0.352] MAX



RECOMMENDED
PANEL CUTOUT DIMENSION

NOTES:

- MATERIAL:
HOUSING: PA6T UL-94V-0
STANDARD COLOR-BLACK
CONTACTS: 0.35mm THICK PHOS-BRONZE PLATED
WITH 30u" GOLD AND NICKEL
UNDERPLATE ON ALL AREA.
SOLDER PIN: COPPER 0.35*0.45mm, PLATED WITH NICKEL
TIN PLATING IN ALL AREA.
SHIELD: STAINLESS STEEL, GROUND LEG PRE-SOLDERING.
- OPERATING TEMPERATURE : 0°C-70°C
- CAVITY CONFORMS TO FCC RULES AND REGULATIONS
PART 68, SUBPART F.
- PEAK SOLDERING TEMPERATURE IS 260°C MAX, 10 SECONDS MAX,
FOR WAVE SOLDERING PROCESS.
- UNSPECIFIED TOLERANCE: .XX ±0.25[0.010]
.X ±0.30[0.012]

RoHS Compliant

TOLERANCES ARE

MORETHANALL
PCB CONNECTORS
Cable ASSEMBLIES
煜倫股份有限公司
www.morethanall.com

DRAWING BY CY		X ± .X ± 0.30 .XX ± 0.25 .XXX ± ANG ±
CHECKED BY GENIUS		
UNIT / mm	SCALE 1 : 1	
DATE		
SIZE A4	PJECTION	

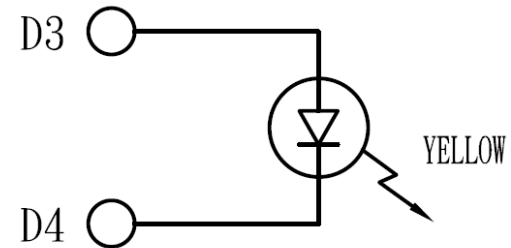
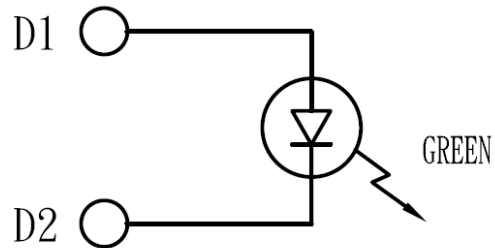


ORDER INFORMATION

MJF13T056LA4-KF30B3GY-0808
SERIES | 8P8C
LEFT / RIGHT
GREEN / YELLOW
BLACK | REAR TAB 3.05mm
FULL SPRING 30u" GOLD

DESCRIPTION:

3. LED CONFIGURATION :



Color	VF(V) @20mA		IV(mcd) @20mA		Dominant waveLength λ_D (nm) @20mA
	Typ.	Max	Typ.	Max	
Yellow	2	2.6	20	50	590
Green	2	2.6	18	25	572

RoHS Compliant

TOLERANCES ARE

MORETHANALL
PCB CONNECTORS
Cable ASSEMBLIES

煜倫股份有限公司

www.morethanall.com

DRAWING BY CY

CHECKED BY GENIUS

UNIT / mm SCALE 1 : 1

DATE

SIZE A4

X. \pm
.X \pm 0.30
.XX \pm 0.25
.XXX \pm
ANG \pm

PJECTION

照片框

ORDER INFORMATION

MJF13T056LA4-KF30B3GY-0808

SERIES

8P8C

LEFT / RIGHT

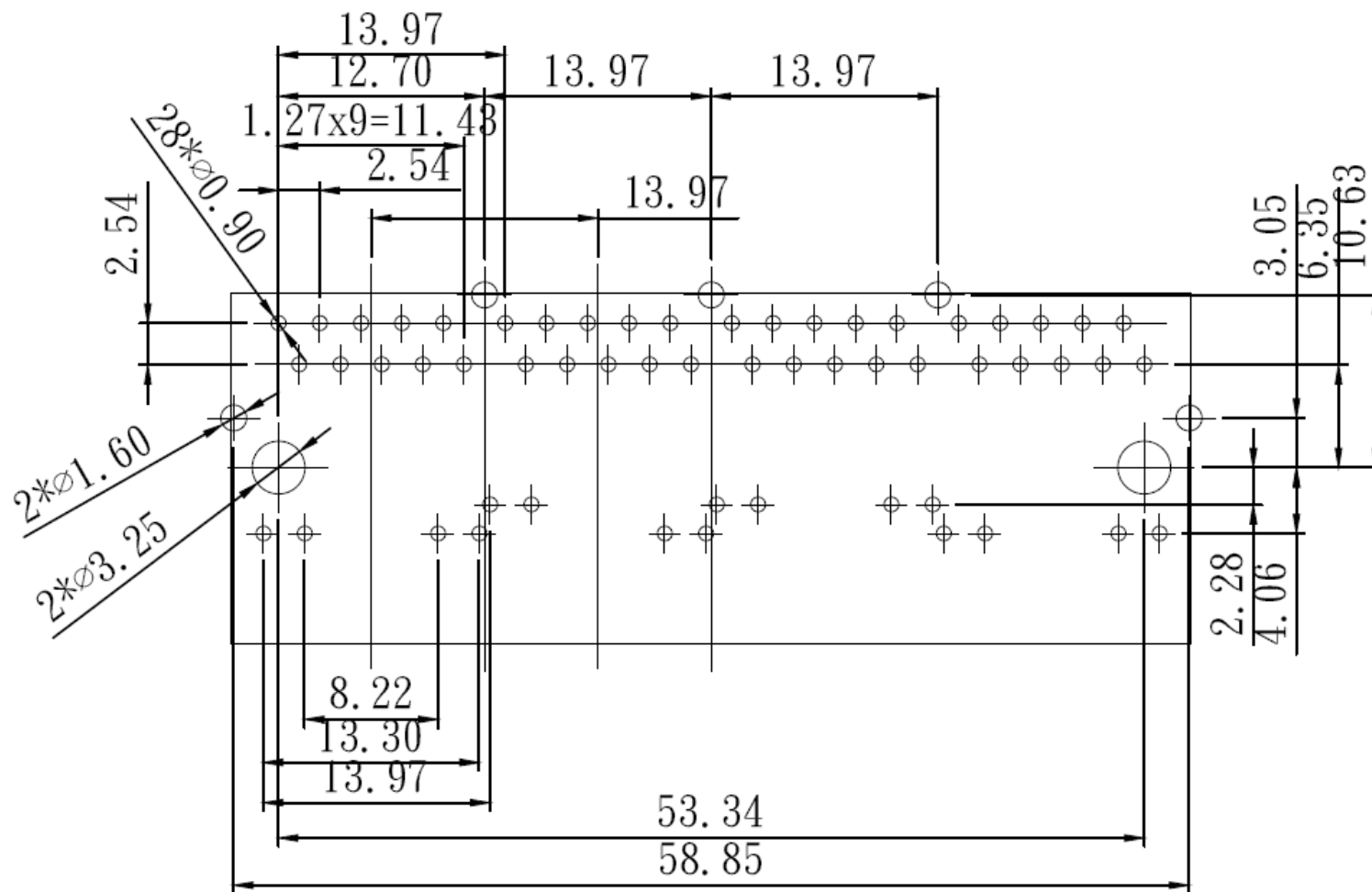
GREEN / YELLOW

REAR TAB 3.05mm

BLACK

FULL SPRING 30u" GOLD

DESCRIPTION:



SUGGESTED PCB LAYOUT

(TOP VIEW)

DIMENSIONAL TOLERANCE: .XX ±0.08[0.003]

RoHS Compliant

TOLERANCES ARE

MORETHANALL
PCB CONNECTORS
Cable ASSEMBLIES

DRAWING BY CY

X ±

CHECKED BY GENIUS

.X ± 0.30

UNIT / mm

SCALE 1:1

.XX ± 0.25

DATE

.XXX ±

ANG ±

照片框

ORDER INFORMATION

MJF13T056LA4-KF30B3GY-0808

SERIES

8P8C

LEFT / RIGHT

GREEN / YELLOW

BLACK

REAR TAB 3.05mm

FULL SPRING 30u" GOLD

煜倫股份有限公司

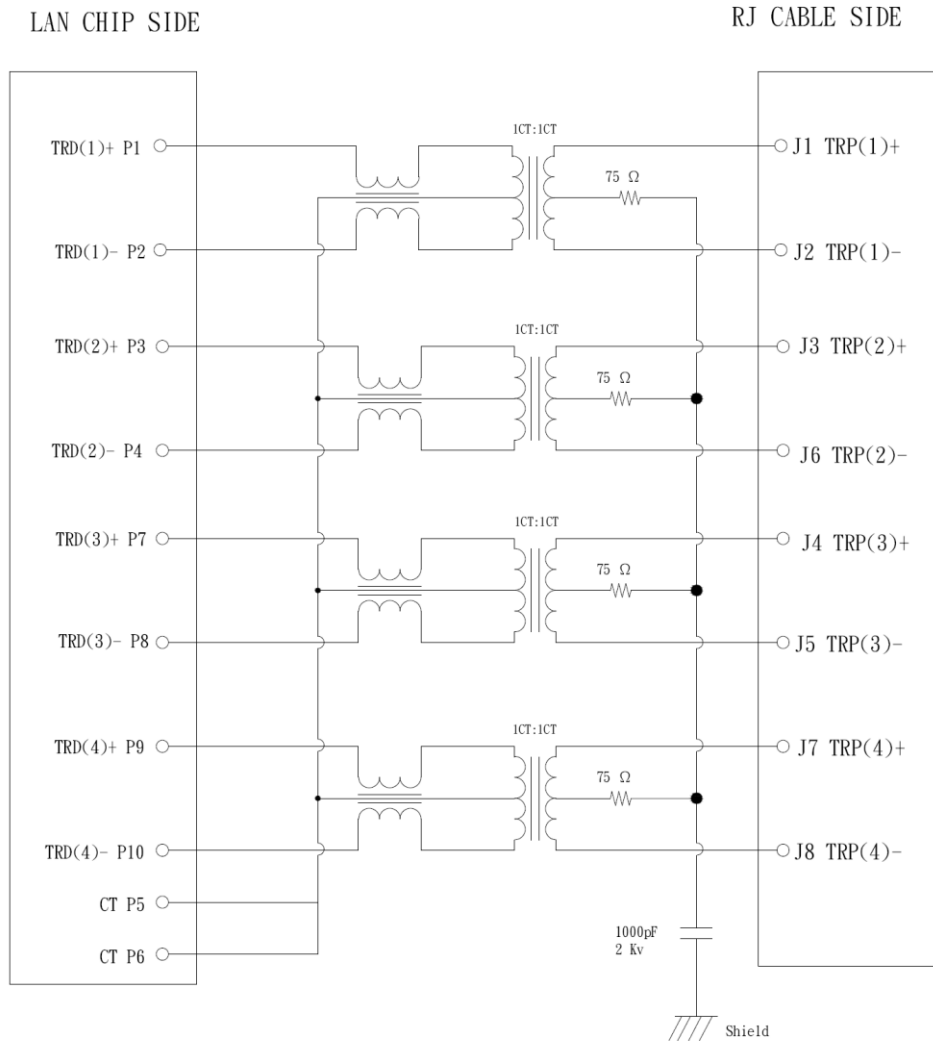
www.morethanall.com

SIZE A4

PJECTION

DESCRIPTION:

4. SCHEMATIC :



5. ELECTRICAL CHARACTERISTICS :

- TR:(100KHz, 0.1V);
INPUT TO OUTPUT=1:1±3%
- LX:(100KHz, 100mV, 8mA, DC Bias)
TRANSFORMER=350uH MINIMUM
- DCR:
EVERY RJ PAIR=1.2 MAXIMUM
- HIPOT:
INPUT TO OUTPUT : 1500Vrms, 60sec AT 60Hz
- INSERTION LOSS:
-0.8dB MAXIMUM AT 0.3MHz TO 100MHz;
-1.2dB MAXIMUM AT 100MHz TO 125MHz
- RETURN LOSS:
-20dB MINIMUM AT 1MHz TO 10MHz;
-16dB MINIMUM AT 30MHz;
-12dB MINIMUM AT 60MHz TO 100MHz;
- CROSS TALK:
-40dB MINIMUM AT 1MHz TO 10MHz
-35dB MINIMUM AT 30MHz TO 60MHz
-30dB MINIMUM AT 60MHz TO 100MHz
- COMMON TO COMMON MODE REJECTION:
-30dB MINIMUM AT 300KHz TO 100MHz
- OPERATING TEMPERATURE : 0°C~+70°C

RoHS Compliant

TOLERANCES ARE

MORETHANALL
PCB CONNECTORS
Cable ASSEMBLIES

DRAWING BY CY

X, ±

CHECKED BY GENIUS

.X ± 0.30

UNIT / mm

SCALE 1 : 1

.XX ± 0.25

DATE

.XXX ±

ANG ±

照片框

ORDER INFORMATION

MJF13T056LA4-KF30B3GY-0808

SERIES

8P8C

LEFT / RIGHT

GREEN / YELLOW

REAR TAB 3.05mm

BLACK

FULL SPRING 30u" GOLD

煜倫股份有限公司

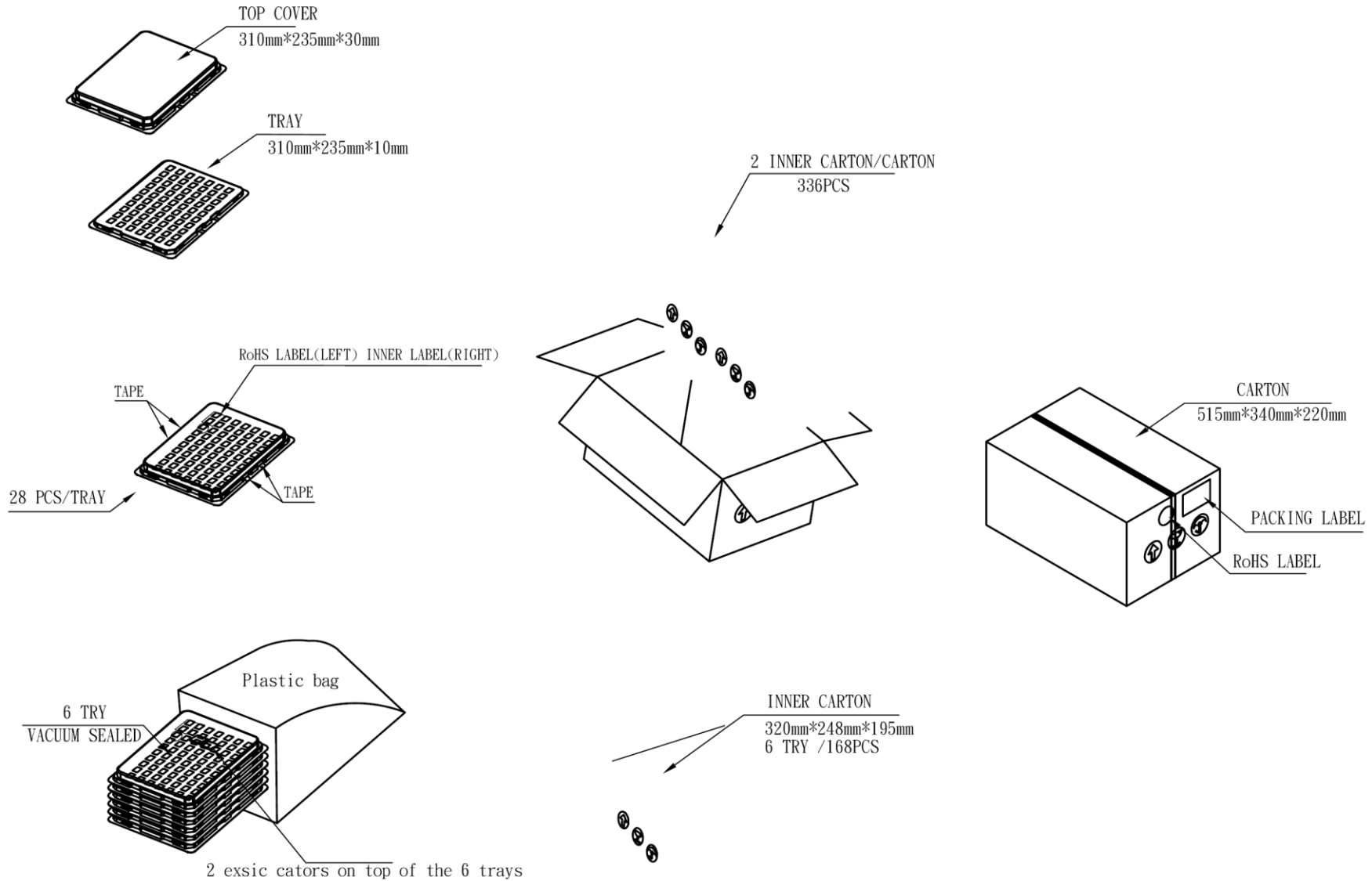
www.morethanall.com

SIZE A4

PJECTION

DESCRIPTION:

6. PACKING SPECIFICATION :



RoHS Compliant

TOLERANCES ARE

MORETHANALL
PCB CONNECTORS
Cable ASSEMBLIES

DRAWING BY CY

X. ±

CHECKED BY GENIUS

.X ± 0.30

UNIT / mm

SCALE 1 : 1

.XX ± 0.25

DATE

.XXX ±

ANG ±

照片框

ORDER INFORMATION

MJF13T056LA4-KF30B3GY-0808

SERIES

8P8C

LEFT / RIGHT

GREEN / YELLOW

BLACK

REAR TAB 3.05mm

FULL SPRING 30u" GOLD

煜倫股份有限公司

www.morethanall.com

SIZE A4

PPOJECTION

DESCRIPTION: