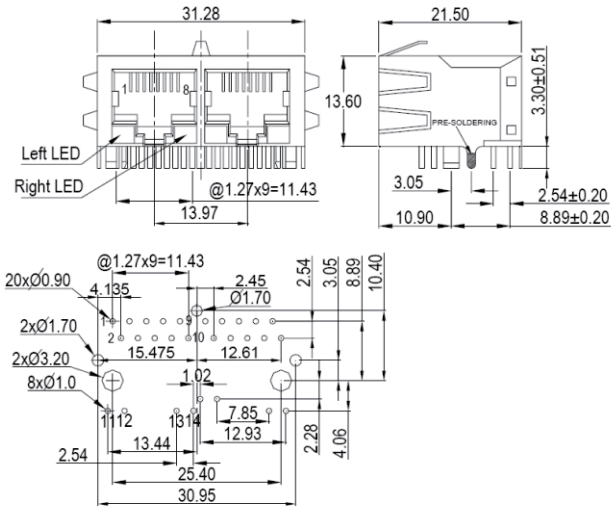
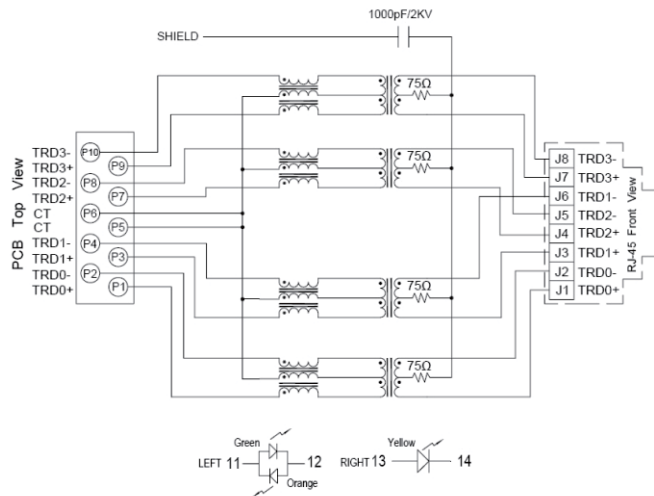


## 一、Mechanical Dimensions



Unit: mm Unless otherwise specified, all tolerances are  $\pm 0.25$

## 二、Schematics



## 三、ELECTRICAL SPECIFICATIONS@25°C:

1. Turn Ratio( $\pm 5\%$ ): 1CT:1CT
2. OCL(100KHz/0.1V@8mA):350uH MIN.
3. Insertion Loss(dB MAX):-1.2dB(0.3-100MHz)
4. Return Loss(dB MIN): -16dB(1-30MHz),-13.5dB(40MHz),-11.5dB(50MHz),  
-10dB(60-100MHz)
5. Cross talk(dB MIN):-40dB(30MHz),-36dB(60MHz),-30dB(100MHz)
6. DCMR(dB MIN): -35dB(30MHz),-32dB(60MHz),-30dB(100MHz)
7. HI-POT(Pri to Sec) : 1500Vrms/0.5mA/60Sec or 1650Vrms/0.5mA/2Sec
8. Operating Temperature:0°C TO +70°C
9. RoHS compliance:YES

RoHS Compliant

TOLERANCES ARE

**MORETHANALL**  
PCB CONNECTORS  
Cable ASSEMBLIES  
煜倫股份有限公司

DRAWING BY CY

CHECKED BY GENIUS

UNIT / mm

SCALE 1 : 1

DATE

SIZE A4

PJECTION

X,  $\pm$   
.X  $\pm$   
.XX  $\pm$   
.XXX  $\pm$   
ANG  $\pm$

照片框

ORDER INFORMATION

MJF13T056LA2-KF06B3GOYX-0808-LF

SERIES

LEADFREE

BLACK

8P8C  
GREEN, ORANGE / YELLOW, X  
REAR TAB 3.05mm

06u" GOLD  
FULL SPRING

DESCRIPTION:

www.morethanall.com

## 四、Mechanicals

### Housing Material:

MATERIAL:NYLON GF (Fr50) UL94V-0 STANDARD COLOR:BLACK

### Insert Material:

MATERIAL:Phos-Bronze C5210 EH---0.35mm Thickness

Insert -PBT GF UL94V-0

- 1.PLATING(1) NICKEL
- 2.PLATING(2) 100%Sn
- 3.PLATING(3) GOLD (3u " ~ 50u " )

### Plate Material:

PBT GF UL 94V-0

### Contact pin Material:

MATERIAL: Phos-Bronze C5191---0.35mm Thickness

- 1.PLATING(1) NICKEL
- 2.PLATING(2) 100%Sn

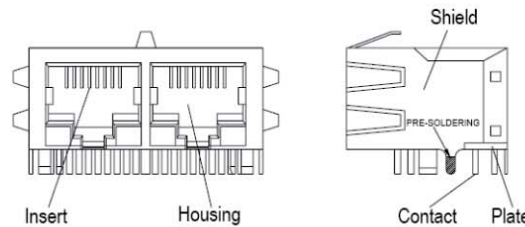
### Shielding Material:

BRASS C2680 PLATING NICKEL

Operating Life:750 Cycles MIN.

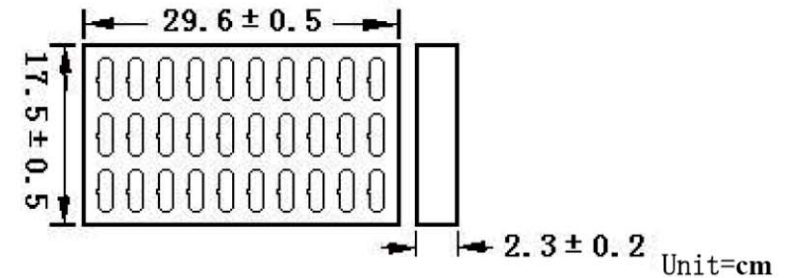
## 五、Environmental

- 1.Storage Temp:-40°C TO +85°C.
- 2.Operating Temp:0°C TO +70°C
3. MATES WITH MODULAR PLUG CONFORMING TO FCC PART 68,SUBPARTE.

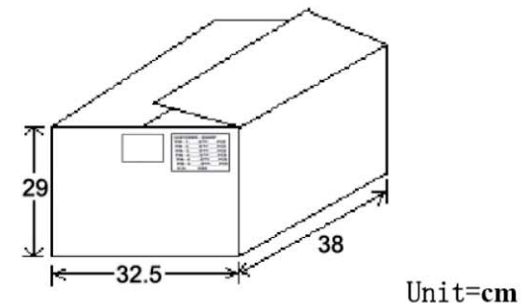


## 六、Packaging

1. packaging unit : 30 PCS/tray
2. packaging material : PET



3. outer carton unit: 600 pcs/ 20Trays/box



RoHS Compliant

TOLERANCES ARE

**MORETHANALL**  
PCB CONNECTORS  
Cable ASSEMBLIES

煜倫股份有限公司

www.morethanall.com

DRAWING BY CY

CHECKED BY GENIUS

UNIT / mm SCALE 1 : 1

DATE

SIZE A4

X, ±

.X ±

.XX ±

.XXX ±

ANG ±

PJECTION

照片框

ORDER INFORMATION

MJF13T056LA2-KF06B3GOYX-0808-LF

SERIES

BLACK

06u" GOLD

FULL SPRING

REAR TAB 3.05mm

GREEN, ORANGE / YELLOW, X

8P8C

LEADFREE

DESCRIPTION: