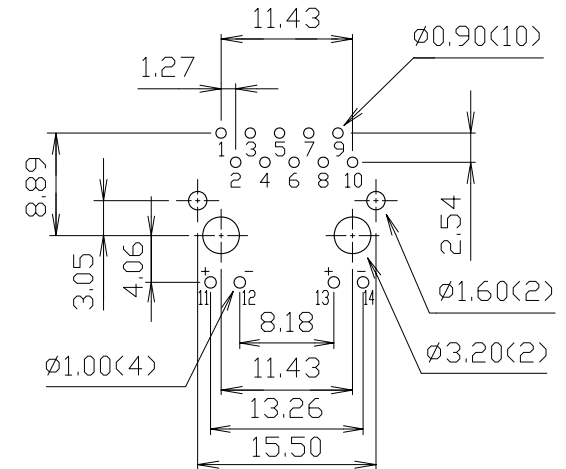


DETAIL Y

MATERIALS:

- HOUSING-PBT POLYESTER UL94V-0 MIXED GLASS FIBER. STANDARD COLOR-BLACK.
- CONTACTS-0.35mm THICK PHOS-BRONZE PLATED WITH HARD GOLD AND GOLD FLASH IN SOLDER AREA.
- SHIELD-0.25mm THICK COPPER ALLOY, PLATED WITH NICKEL.

CAVITY CONFIRMS TO FCC RULES AND REGULATIONS PART 68,SUBPART F.



PC Board Layout

Ref.



煜倫股份有限公司

www.morethanall.com

RoHS Compliant

DRAWING BY CY

CHECKED BY GENIUS

UNIT / mm SCALE 1 : 1

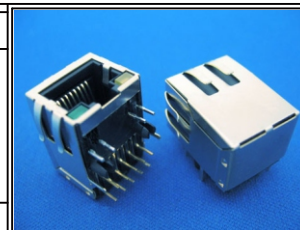
DATE

SIZE A4

TOLERANCES ARE

X.±
.X±
.XX±
.XXX±
ANG ±

PJECTION



ORDER INFORMATION

MJF13T056L-KF06B3xx-0808

SERIES

06u" GOLD
FULL SPRING
BLACK

8P8C

LED1 / LED2
YG:YELLOW / GREEN
GY: GREEN / YELLOW
REAR TAB 3.05mm

DESCRIPTION:

SINGLE PORT, RJ45, SHIELDED, WITH LED WITH TRANSFORMER, SIDE ENTRY PCB JACK

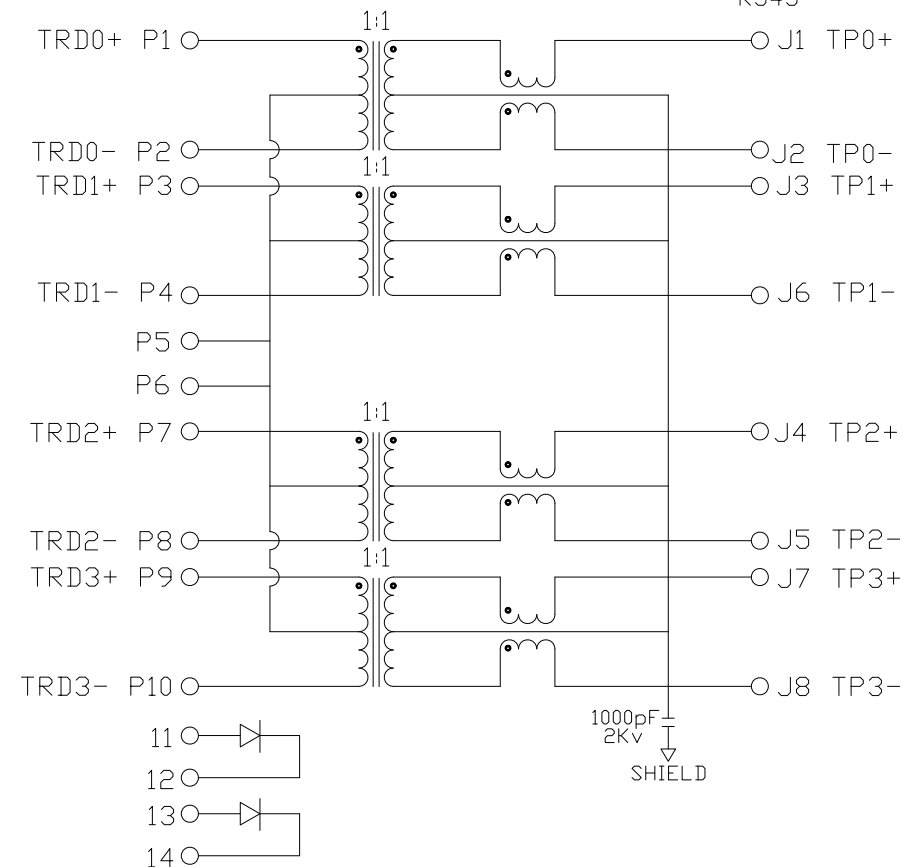
TRANSFORMER TYPE 2

Specification :

Item	Parameter	Condition	Min.	Typ.	Max.	Unit	REMARK
1	Insertion loss	1-100 MHz			-0.5	dB	
		60-100 MHz			-1.0	dB	
		100-125 MHz			-1.2	dB	
2	Return loss	1-30 MHz	-16			dB	
		30-40 MHz	-13.5			dB	
		40-50 MHz	-11.5			dB	
		60-100 MHz	-10			dB	
3	Primary Inductance 0.1Vrms, 8mA DC BIAS	100 KHz	350			μH	
4	Crosstalk	1-30 MHz	-40			dB	
		30-60 MHz	-38			dB	
		60-100 MHz	-33			dB	
5	Hipot	Vrms	1.5			kV	
6	CMRR	1-100MHz	-30			dB	

CONNECTOR SOLDER SIDE

CONTACT SIDE
RJ45



CONNECTOR SCHEMATIC

RoHS Compliant

TOLERANCES ARE

MORETHANALL
PCB CONNECTORS
Cable ASSEMBLIES

DRAWING BY CY

X.±

CHECKED BY GENIUS

.X±

UNIT / mm

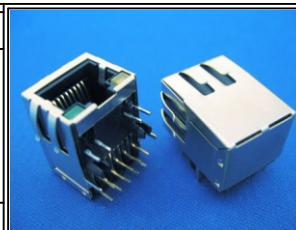
SCALE 1:1

.XX±

DATE

.XXX±

ANG±



SIZE A4

PJECTION

ORDER INFORMATION

MJF13T056L-KF06B3xx-0808

SERIES

8P8C

06u" GOLD

FULL SPRING

BLACK

LED1 / LED2

YG: YELLOW / GREEN

GY: GREEN / YELLOW

REAR TAB 3.05mm

煜倫股份有限公司

www.morethanall.com

DESCRIPTION: TRANSFORMER TYPE 2 SPECIFICATION