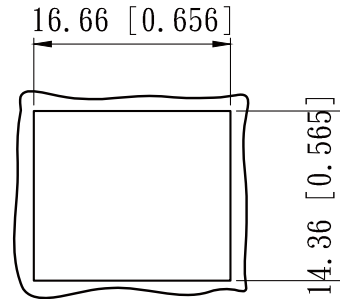
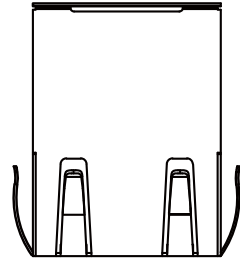
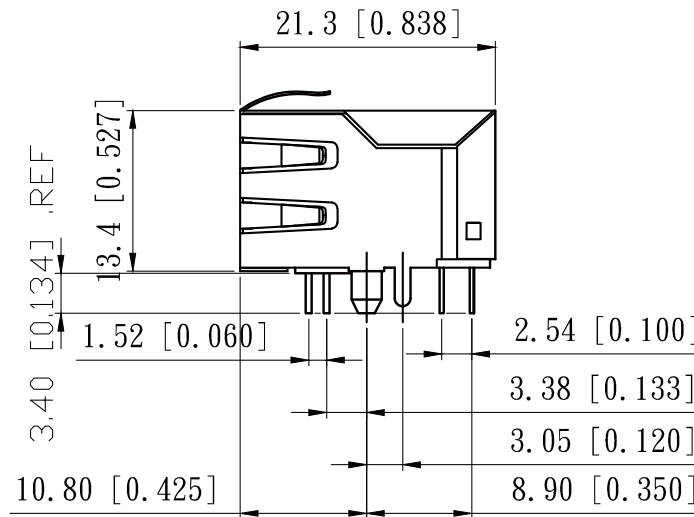
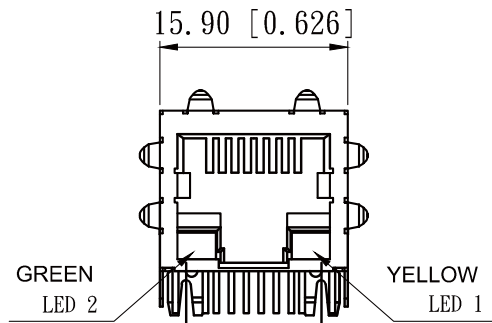
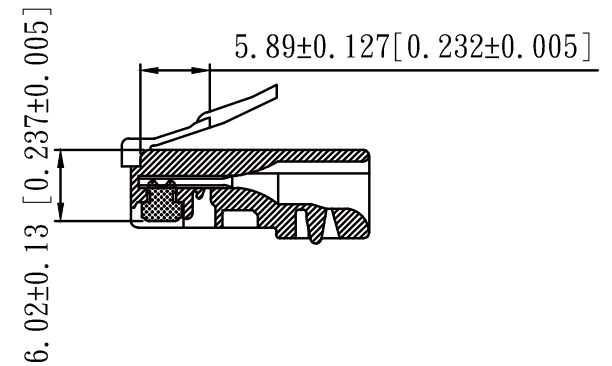


# 1. MECHANICAL DIMENSIONS :

# RECOMMENED PLUG DIMENSION:



RECOMMENDED  
PANEL CUTOUT DIMENSION



## NOTES:

- MATERIALS:  
HOUSING -PBT POLYESTER UL94V-0  
MIXED GLASS FIBER.  
STANDARD COLOR-BLACK.  
CONTACTS -0.35mm THICK PHOS-BRONZE PLATED  
WITH 6u" GOLD AND TIN  
IN SOLDER AREA.  
SHIELD-0.25mm THICK COPPER ALLOY,  
PLATED WITH NICKEL.
- CAVITY CONFIRMS TO FCC RULES AND REGULATIONS  
PART 68, SUBPART F.
- UNSPECIFIED TOLERANCE: .XX ±0.25[0.010]  
.X ±0.30[0.012]

RoHS Compliant

TOLERANCES ARE

**MORETHANALL**  
PCB CONNECTORS  
Cable ASSEMBLIES

DRAWING BY CY

CHECKED BY GENIUS

UNIT / mm

SCALE 1 : 1

DATE

SIZE A4

X, ±  
.X ± 0.25  
.XX ± 0.15  
.XXX ± 0.05  
ANG ±

PJECTION

照片框

## ORDER INFORMATION

MJF13T056L-KF06B3GY43-0808

SERIES

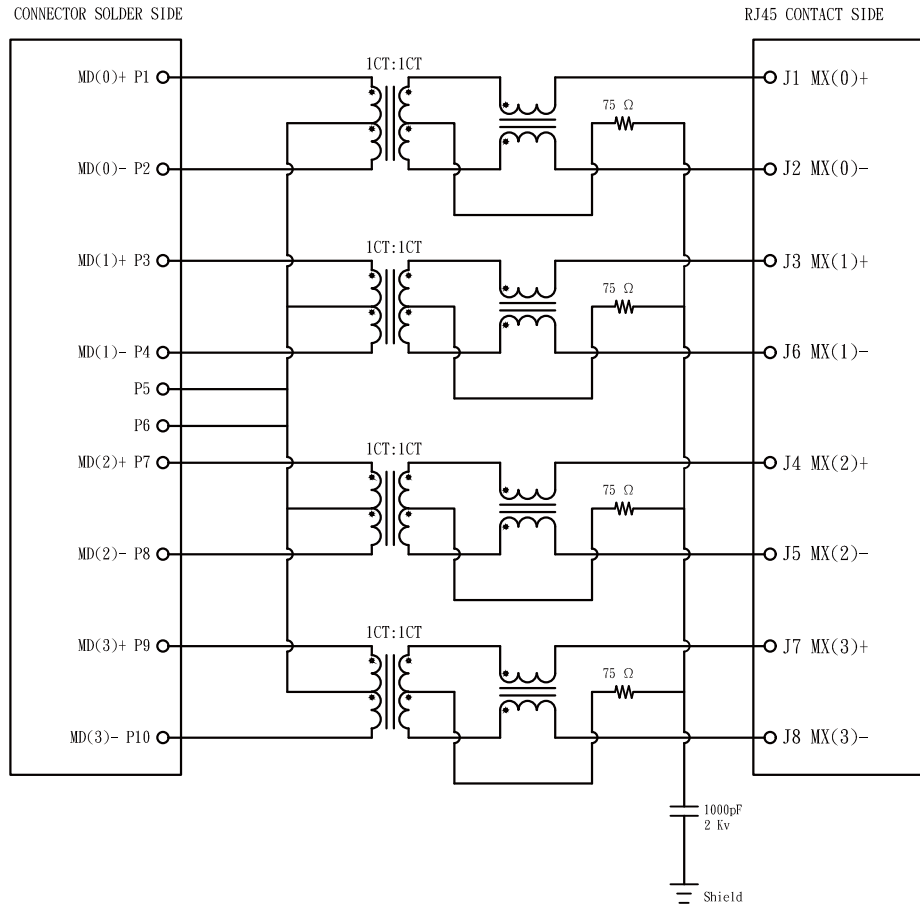
8P8C  
GREEN / YELLOW  
REAR TAB 3.05mm  
06u" GOLD  
FULL SPRING  
BLACK

煜倫股份有限公司

www.morethanall.com

DESCRIPTION: RJ45 Connectors, W/LED 8P, 10C, Shielded/Thru Hole/10/100/1000 Mbps FILTER

## 4. SCHEMATIC:



## 5. ELECTRICAL CHARACTERISTICS :

TEST NOTES:(25°±5°C)

- TR:(100KHz, 0.1V); 100%  
PINS:(P1, P2):(J1, J2)=1:1±3%;(P3, P4):(J3, J6)=1:1±3%  
PINS:(P7, P8):(J4, J5)=1:1±3%;(P9, P10):(J7, J8)=1:1±3%
- LX:(100KHz, 100mV, 8mA, DC Bias) 100%  
PINS:(P1, P2), (P3, P4), (P7, P8), (P9, P10)=350uH MINIMUM
- DCR: 100%  
PINS:(J1, J2), (J3, J6), (J4, J5), (J7, J8)=1.0 MAXIMUM
- HIPOT: 100%  
PINS(P1, P2)TO(J1, J2), (P3, P4)TO(J3, J6)=1650VAC FOR 2 SECONDS  
PINS(P7, P8)TO(J4, J5), (P9, P10)TO(J7, J8)=1650VAC FOR 2 SECONDS
- INSERTION LOSS:  
-0.8dB MAXIMUM AT 0.3MHz TO 100MHz;  
-1.2dB MAXIMUM AT 100MHz TO 120MHz
- RETURN LOSS:  
-18dB MINIMUM AT 0.5MHz TO 40MHz;  
-12+20Log(f/80MHz)dB MINIMUM AT 40MHz TO 100MHz
- CROSS TALK:  
-33+20Log(f/100MHz)dB MINIMUM AT 0.1MHz TO 100MHz
- COMMON TO DIFFERENTIAL MODE REJECTION:  
-35dB MINIMUM AT 300KHz TO 100MHz
- COMMON TO COMMON MODE REJECTION:  
-30dB MINIMUM AT 300KHz TO 100MHz

RoHS Compliant

TOLERANCES ARE

**MORETHANALL**  
PCB CONNECTORS  
Cable ASSEMBLIES

DRAWING BY CY

CHECKED BY GENIUS

UNIT / mm

SCALE 1 : 1

DATE

SIZE A4

P PROJECTION

X, ±  
.X ± 0.25  
.XX ± 0.15  
.XXX ± 0.05  
ANG ±

照片框

ORDER INFORMATION

MJF13T056L-KF06B3GY43-0808

SERIES

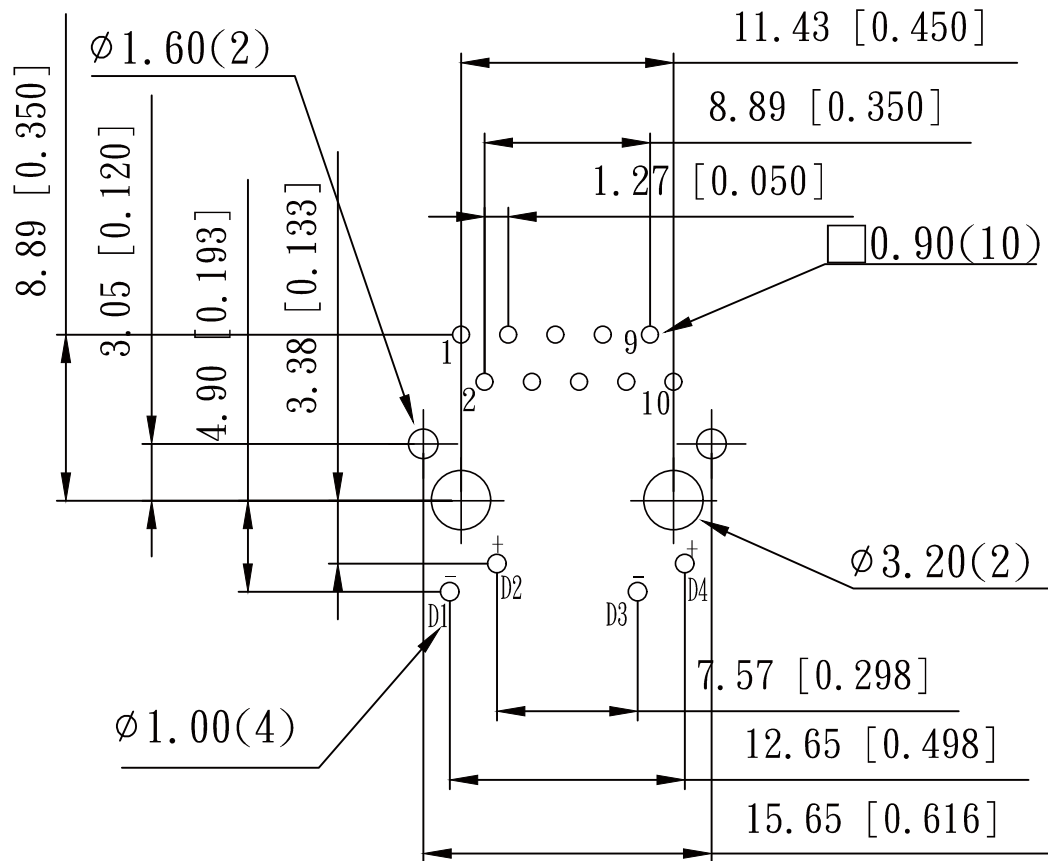
8P8C  
GREEN / YELLOW  
REAR TAB 3.05mm  
06u" GOLD  
FULL SPRING  
BLACK

煜倫股份有限公司

www.morethanall.com

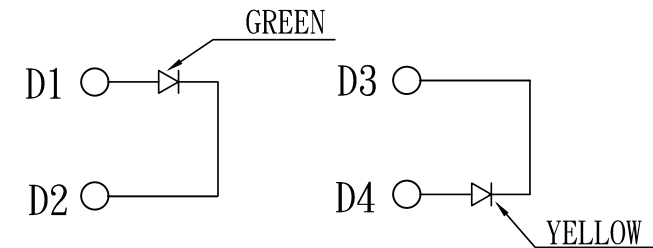
DESCRIPTION: RJ45 Connectors, W/LED 8P, 10C, Shielded/Thru Hole/10/100/1000 Mbps FILTER

## 2. PCB LAYOUT :



SUGGESTED PCB LAYOUT  
(TOP VIEW)

## 3. LED CONFIGURATION :



RoHS Compliant

TOLERANCES ARE

**MORETHANALL**  
PCB CONNECTORS  
Cable ASSEMBLIES

DRAWING BY CY

X ±

CHECKED BY GENIUS

.X ± 0.25

UNIT / mm

SCALE 1 : 1

.XX ± 0.15

DATE

.XXX ± 0.05

ANG ±

照片框

ORDER INFORMATION

MJF13T056L-KF06B3GY43-0808

SERIES

8P8C

GREEN / YELLOW

REAR TAB 3.05mm

06u" GOLD

FULL SPRING

BLACK

煜倫股份有限公司

www.morethanall.com

SIZE A4

PJECTION

DESCRIPTION: RJ45 Connectors, W/LED 8P, 10C, Shielded/Thru Hole/10/100/1000 Mbps FILTER