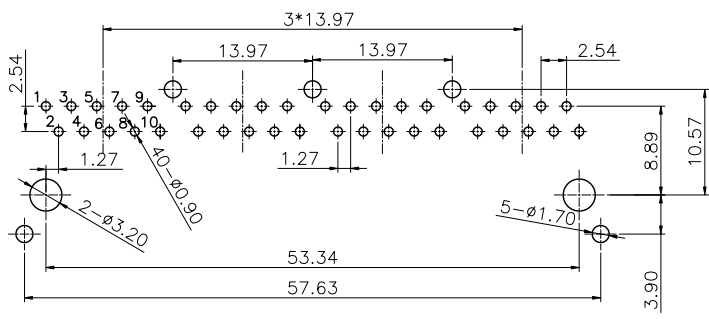
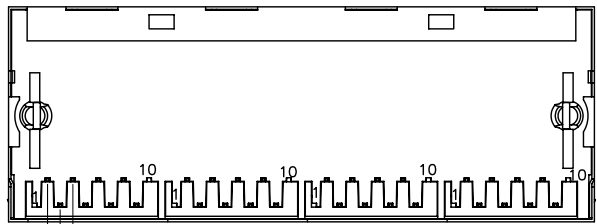
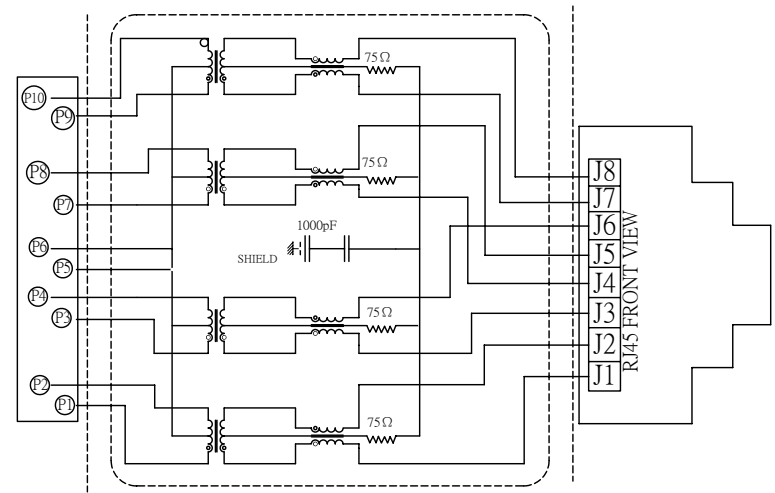
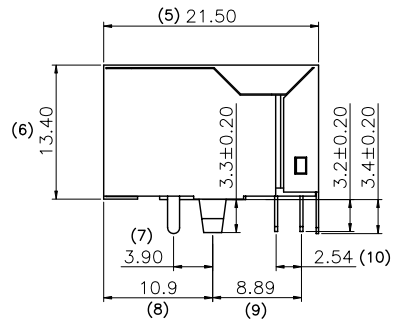
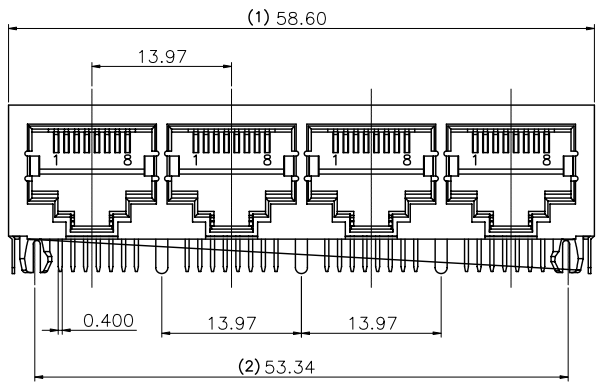


1 2 3 4 5 6 7 8 9 0

J
I
H
G
F
E
D
C
B
A



PCB LAYOUT

NOTE 1:

- 1.MATERIALS:
 HOUSING:THERMOPLASTIC POLYESTER, BLACK;
 RJ CONTACT:PHOSPHOR BRONZE,T=0.35±0.02mm.
 JOINT CONTACT:BRASS,T=0.30±0.02mm.
 SHELL:BRASS,T=0.25±0.02mm.
- 2.PLATING:
 RJ CONTACTS: SELECT GOLD PLATED OVER NICKEL UNDERPLATED OVERALL
 JOINT CONTACTS: TIN PLATED OVER NICKEL UNDERPLATED OVERALL
 SHELL: NICKEL UNDERPLATED OVERALL
- 3.SPECIFICATION:
 OPERATING TEMPERATURE : 0°C~+70°C
 STORAGE: -40°C~+85°C
 DURABILITY: 750 CYCLES MIN
 TYPE: BALANCE LOW PASS 100Ω IMPEDANCE
 INSERTION LOSS: 1~100MHz-1.2dB MAX.
 RETURN LOSS: 1~30MHz -18dB MIN.
 30~60MHz -16dB MIN.
 60~80MHz -12dB MIN.
 80~100MHz -10dB MIN.
 CROSS TALK: @1~100MHz -35dB MIN.
 COMMON MODE REJECTION: @1~100 MHz -30dB MIN
 INDUCTANCE @ 100KHz 100mV,8mA DC BIAS: 350uH MIN.
 HI-POT: 1500Vrms (INPUT TO OUTPUT)

RoHS Compliant

 MORETHANALL CONNECTORS ASSEMBLIES	PART NO.MJF13T056A4-KX06A39-0808	
	DWG NO. MJF13T056A4-KX06A39-0808	CHECKED BY CY
焯倫股份有限公司	FILE NO.	DRAWING BY
	UNIT / mm	SCALE 1:1

TOLERANCES ARE	
.X ± 0.2 .XX ± .XXX ± AWG	

DESCRIP TION:				
AREA	REVISIONS	HK	DATE	