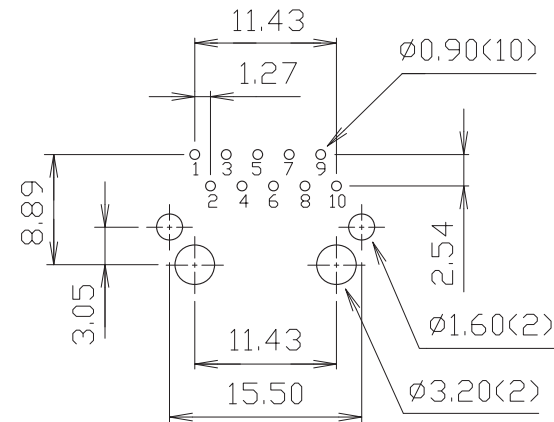


DETAIL Y

MATERIAL:

- HOUSING-PBT POLYESTER UL94V-0 MIXED GLASS FIBER. STANDARD COLOR-BLACK
- CONTACTS-0.35mm THICK PHOS-BRONZE WITH HARD GOLD AND GOLD FLASH PLATED IN SOLDER AREA.
- SHIELD-0.25mm THICK COPPER ALLOY, PLATED WITH NICKEL.

CAVITY CONFIRMS TO FCC RULES AND REGULATIONS PART 68,SUBPART F.



PC Board Layout Ref.

RoHS Compliant

TOLERANCES ARE

**MORETHANALL**  
PCB CONNECTORS  
Cable ASSEMBLIES

DRAWING BY CY

X.±

CHECKED BY GENIUS

.X±

UNIT / mm

SCALE 1:1

.XX±

DATE

.XXX±

ANG±

煜倫股份有限公司

www.morethanall.com

SIZE A4

PPOJECTION

照片框

ORDER INFORMATION

MJF13T056-KX03B3-0808-LF

SERIES

||

||

||

||

||

||

||

||

||

||

||

||

||

||

||

||

||

||

BLACK

03u" GOLD

NON EAR

LEADFREE

8P8C

REAR TAB 3.05mm

DESCRIPTION: SINGLE PORT, RJ45, SHIELDED, FLAT PIN WITH TRANSFORMER, SIDE ENTRY PCB JACK

# TRANSFORMER TYPE 6

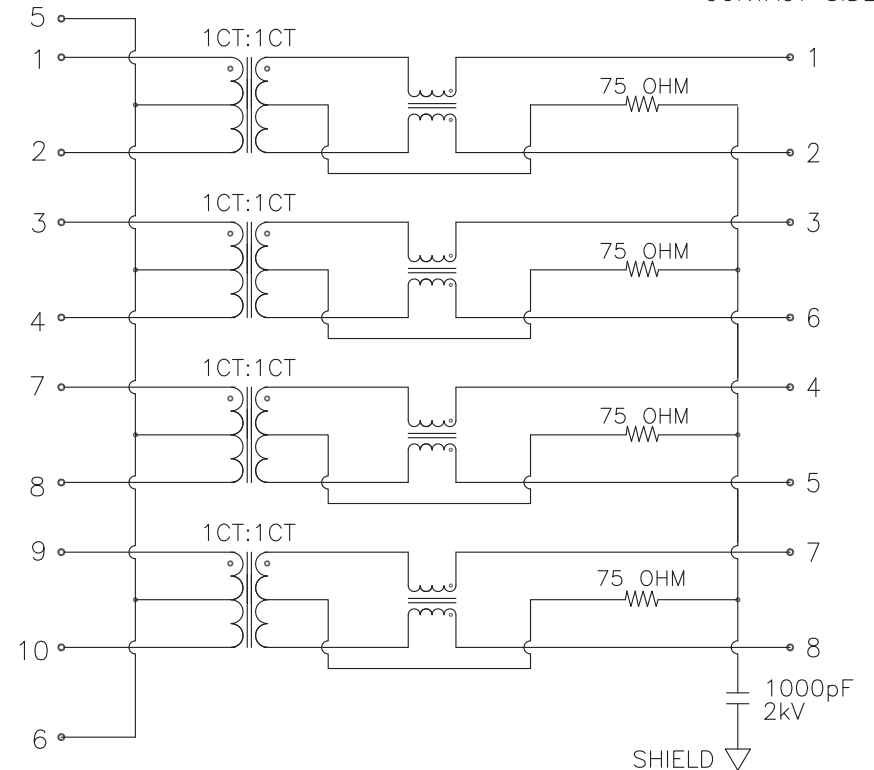
## ELECTRICAL CHARACTERISTICS

TEST NOTES: (25°±5°C)

1. TR: (100kHz, 0.1V);  
 PINS:(1,2):(J1,J2)=1CT:1CT±3%;(3,4):(J3,J6)=1:1±3%  
 PINS:(7,8):(J4,J5)=1CT:1CT±3%;(9,10):(J7,J8)=1:1±3%
2. INDUCTANCE: (100kHz, 100mV, 8mA, DC Bias)  
 PINS: (1,2),(3,4),(7,8),(9,10)=350uH MINIMUM
3. DCR:  
 PINS: (1,2),(3,4),(7,8),(9,10)=1.5 OHMS MAXIMUM.  
 PINS: (J1,J2),(J3,J6),(J4,J5),(J7,J8)=1.5 OHMS MAXIMUM.
4. HIPOT:  
 PINS(1,2)TO(J1,J2):(3,4)TO(J3,J6)=1500VAC FOR 60 SECONDS  
 PINS(7,8)TO(J4,J5):(9,10)TO(J7,J8)=1500VAC FOR 60 SECONDS
5. INSERTION LOSS:  
 -1.0dB MAXIMUM AT 1MHz TO 100MHz
6. RETURN LOSS:  
 -18dB MINIMUM AT 1MHz TO 30MHz  
 -16dB MINIMUM AT 30MHz TO 60MHz  
 -12dB MINIMUM AT 60MHz TO 80MHz  
 -10dB MINIMUM AT 80MHz TO 100MHz
7. CROSS TALK:  
 -25dB MINIMUM AT 1MHz TO 100MHz
8. COMMON MODE REJECTION  
 -30dB MINIMUM AT 1MHz TO 100MHz

CONNECTOR SOLDER SIDE

RJ45 CONTACT SIDE



CONNECTOR SCHEMATIC

RoHS Compliant

TOLERANCES ARE

**MORETHANALL**  
 PCB CONNECTORS  
 Cable ASSEMBLIES

煜倫股份有限公司

www.morethanall.com

DRAWING BY CY

CHECKED BY GENIUS

UNIT / mm SCALE 1:1

DATE

SIZE A4

X.±

.X±

.XX±

.XXX±

ANG±

PJECTION

照片框

ORDER INFORMATION

MJF13T056-KX03B3-0808-LF

SERIES LEADFREE  
 8P8C  
 REAR TAB 3.05mm  
 BLACK 03u" GOLD  
 NON EAR

DESCRIPTION: TRANSFORMER TYPE 6 SPECIFICATION