

**MATERIALS:**

PLASTIC HOUSING: HIGH TEMP THERMOPLASTIC  
FLAMMABILITY RATING UL 94V-0.

CONTACTS: PHOSPHOR BRONZE  
PLATING: GOLD PLATING OVER NICKEL IN CONTACT.  
TIN PLATING OVER NICKEL IN SOLDER AREA.  
SHIELD: BRASS PLATING NICKEL ALLOY.

**Electrical:**

- 1.Voltage Rating:125 Vac Rms.
- 2.Current Rating:1.5 Amp.
- 3.Contact Resistance:40 Milliohms Max.
- 4.Insulation Resistance:1000 Megohms Min @500 Vdc.
- 5.Dielectric Strength:1000 Vac Rms 60Hz, 1Min.

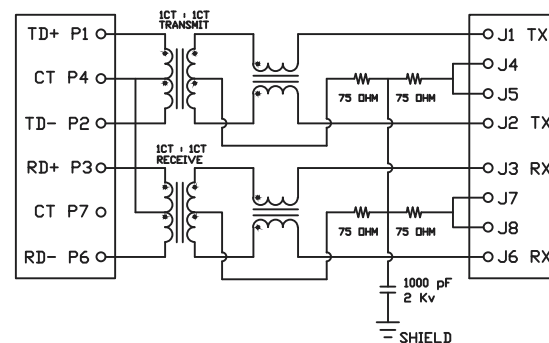
**Mechanical:**

- 1.Operating:750 Cycles Min.

**Environmental:**

- 1.Storage:-40°C To +85°C.
- 2.Operion:-20°C To +75°C.

Mates With Modular Plug Conforming To FCC Part 68, Subpart F.



MJF13T04-KX06B3-0808-LF  
LEADFREE

**MORE THAN ALL**  
CONNECTORS  
ASSEMBLIES

PART NO. MJF13T04-KX06B3-0808

RoHS Compliant

DWG NO. MJF13T04-KX06B3-0808

CHECKED BY CY

TOLERANCES ARE

- X. ± 0.50
- .X ± 0.38
- .XX ± 0.25
- .XXX ± 0.10
- ANG

DESCRIPTION:

FILE NO.

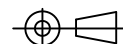
DRAWING BY

焯倫股份有限公司

UNIT / mm

SCALE 1:1

PROJECTION



AREA

REVISIONS

DATE