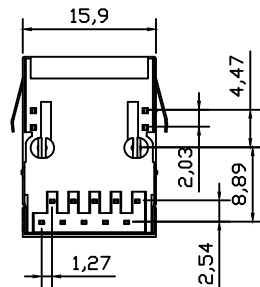
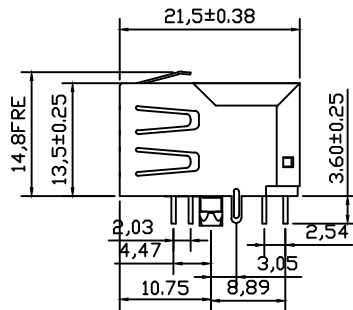
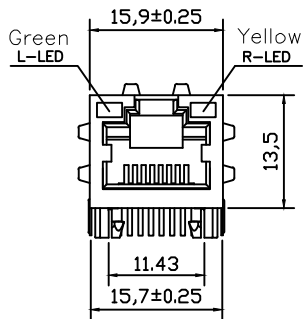
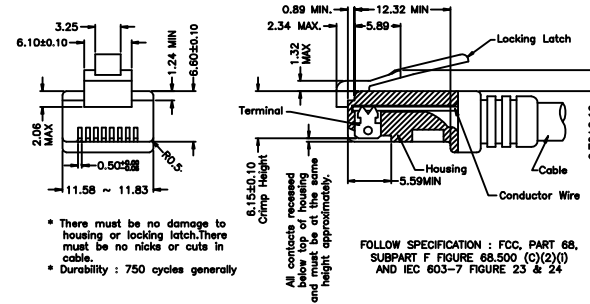


PCB Layout



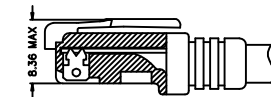
NOTE:

- 1.Shielded - 0.20mm THICKNESS BRASS C2680 H. PLATING NICKEL 20u"-40u".
- 2.Housing- Standard Material Nylon66,Glass Filled Polyester UL94V-0 Standed Color Black.
- 3.RJ Terminal- Plastic:Nylon66, UL94V-0,Standard Color Black. Pin:0.35mm Thickness Phos-Bronze C5210 EH. Plating:Nickel40u"~60u" for all and Sn 100% ,and Gold Plating.
- 4.Input Terminal- Nylon66,Glass Filled,UL94V-0, Standard Color Black. Pin:0.35mm SUS430. Plating:Nickel40u"~60u" for all and Sn 100%.



- There must be no damage to housing or locking latch. There must be no nicks or cuts in cable.
- Durability : 750 cycles generally

FOLLOW SPECIFICATION : FCC, PART 68, SUBPART F FIGURE 68.500 (C)(2)(I) AND IEC 603-7 FIGURE 23 & 24



FOLLOW SPECIFICATION : FCC, PART 68, SUBPART F FIGURE 68.500 (C)(2)(I)

STANDARD MODULAR PLUG ASSEMBLY

RJ45 Plating			
Code	Contact Area	Solder tail	Under plating
06	6μ" gold	100μ" Tin Min.	30μ" Nickel

RoHS Compliant

TOLERANCES ARE

MORETHANALL
PCB CONNECTORS
Cable ASSEMBLIES
煜倫股份有限公司
www.morethanall.com

DRAWING BY CY

CHECKED BY GENIUS

UNIT / mm

SCALE 1 : 1

DATE

SIZE A4

PJECTION

X, ±
.X ± 0.25
.XX ± 0.15
.XXX ± 0.10
ANG ±

照片框

ORDER INFORMATION

MJF13T03UL-KF06B3GY24-0808

SERIES

06u" GOLD
FULL SPRING
BLACK

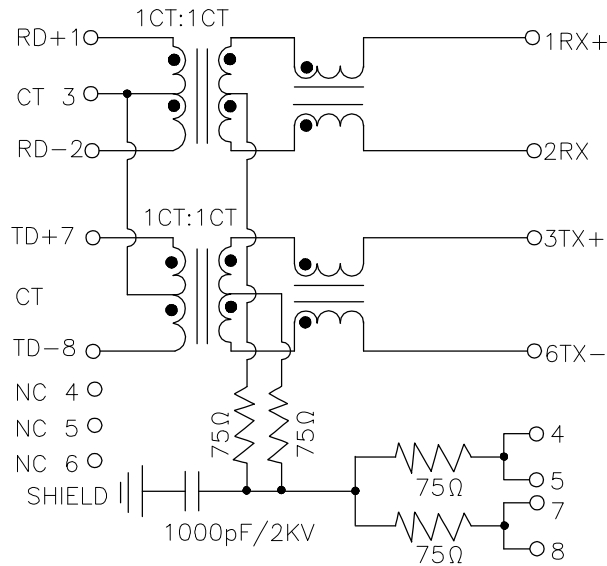
8P8C

LED1 / LED2
GY: GREEN / YELLOW
REAR TAB 3.05mm

DESCRIPTION:

Schematic

TYPE 03



Standard LED	Wavelength	Forward*V(MAX)	TYP
Hsffo	676on	3/6w	3/3w
	676on	3/6w	3/2w

With a forward current of 20mA

Electrical Specifications @25°C

Turns Ratio (±2%)		DCL (uH Min.) @100 KHz/0.1V with 8mA DC Bias	Cross talk (dB Min.)				HI-PDT 1.0 mA (V)	
TX	RX		0.5-10 MHz	30 MHz	50 MHz	100 MHz	WITHOUT CAPACITANCE	WITH CAPACITANCE
1CT:1CT	1CT:1CT	350	-50	-40	-35	-30	1500 AC	2250 DC

Continue

Insertion Loss (dB Max.)		Return Loss (dB Min.) @ Load 100 OHM					CMR (dB Min.)
1-100 MHz	100-125 MHz (10/100/1000)	1-30 MHz	30-50 MHz	60 MHz	60-80 MHz	80-100 MHz (10/100/1000)	1-100 MHz
-1.0	-1.2	-18	-16	-14	-12	-10	-30

RoHS Compliant

TOLERANCES ARE

MORETHANALL
PCB CONNECTORS
Cable ASSEMBLIES

煜倫股份有限公司

www.morethanall.com

DRAWING BY CY

CHECKED BY GENIUS

UNIT / mm SCALE 1:1

DATE

SIZE A4

X, ±

.X ±

.XX ±

.XXX ±

ANG ±

P PROJECTION

照片框

ORDER INFORMATION

MJF13T03UL-KF06B3GY24-0808

SERIES

06u" GOLD

FULL SPRING

BLACK

8P8C

LED1 / LED2

GY: GREEN / YELLOW

REAR TAB 3.05mm

DESCRIPTION: