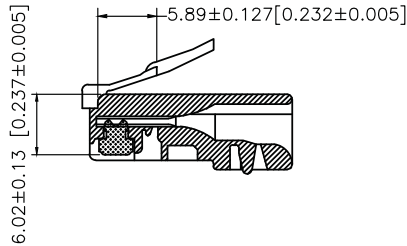


Suggested PCB Layout(Component side view)



NOTE:

1. Shielded - 0.20mm THICKNESS BRASS C2680 H.  
PLATING NICKEL 20u" Min.
2. Housing: Thermoplastic PBT+30%GF UL94V0 Black.
3. RJ Terminal- Plastic: PBT, UL94V-0, Standard Color Black.  
Pin: 0.35mm Thickness Phos-Bronze C5210 EH.  
Plating: Nickel 40u"-60u" for all and Sn 100%  
, and 6U Gold Plating.
4. Input Terminal- PBT, UL94V-0,  
Standard Color Black.  
Pin: 0.35mm Thickness Phos-Bronze C2680.  
Plating: Nickel 40u"-60u" for all and Sn 100%.

RoHS Compliant

TOLERANCES ARE

**MORETHANALL**  
PCB CONNECTORS  
Cable ASSEMBLIES

DRAWING BY CY

CHECKED BY GENIUS

UNIT / mm

SCALE 1:1

DATE

SIZE A4

X, ±  
.X ± 0.25  
.XX ± 0.15  
.XXX ± 0.05  
ANG ±

PJECTION

照片框

ORDER INFORMATION

MJF13T03U-KX06B3-0808-LF

SERIES

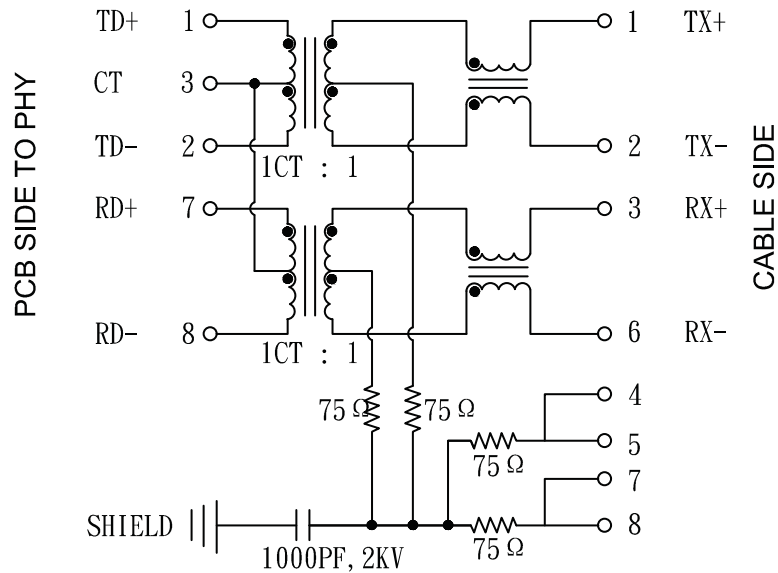
LEADFREE  
8P8C  
REAR TAB 3.05mm  
06u" GOLD  
NON EAR  
BLACK

煜倫股份有限公司

www.morethanall.com

DESCRIPTION: 100BASE 1X1 TAB-UP

**SCHEMATIC**



**Feature:**

- .Complies With IEEE standards and all 10/100 Ethernet specifcatons including 350uH with 8mA DC bias
- .Intergrated Mag-modular design provides higher reliability and conserves minimizing PCB space
- .Housing:Thermoplastic PBT+30%GF UL94V0 rated
- .Contact:Phosphor Bronze C5191 Thickness=0.35mm plated Nickel 30u" Min,Gold plated on content area 6u" Min
- .Input Terminal:Brass,Thickness=0.35mm Finish:120u" min Tin over 50u" min Nickel
- .Metal shielding:copper alloy with nickel plated (C2680), Thickness=0.2mm Ni30u" min
- .Different color of LEDs opition available
- .Operating temperature:0°C to+70°C
- .Storage temperature:-40°C to +85°C

**Electrinal Specifications:(25°C)**

1.Turns Ratio: @50KHz,0.1V: 1 : 1 ±5%	4.Common Mode Rejection: @1~100MHz:-30dB Min @200MHz:-20dB Min
2. Insertion Loss: @1~80MHz:-1.0dB Max @100MHz:-1.2dB Max	5.Crosstalk: @1~100MHz:-35dB Min
3.Return Loss: @1~30MHz:-20dB Min @60~80MHz:-12dB Min	6.OCL:@100KHz,0.1V 8mADC:350uH Min
	7.Hi-Pot:1200VAC,1mA,1Sec

Lead-free process,compliant ROHS

**RoHS Compliant**

TOLERANCES ARE



**煜倫股份有限公司**

www.morethanall.com

DRAWING BY CY

CHECKED BY GENIUS

UNIT / mm SCALE 1 : 1

DATE

SIZE A4 PPROJECTION

X, ±  
.X ± 0.25  
.XX ± 0.15  
.XXX ± 0.05  
ANG ±

照片框

**ORDER INFORMATION**

**MJF13T03U-KX06B3-0808-LF**

SERIES | LEADFREE  
8P8C  
REAR TAB 3.05mm  
06u" GOLD  
NON EAR  
BLACK

DESCRIPTION:100BASE 1X1 TAB-UP