

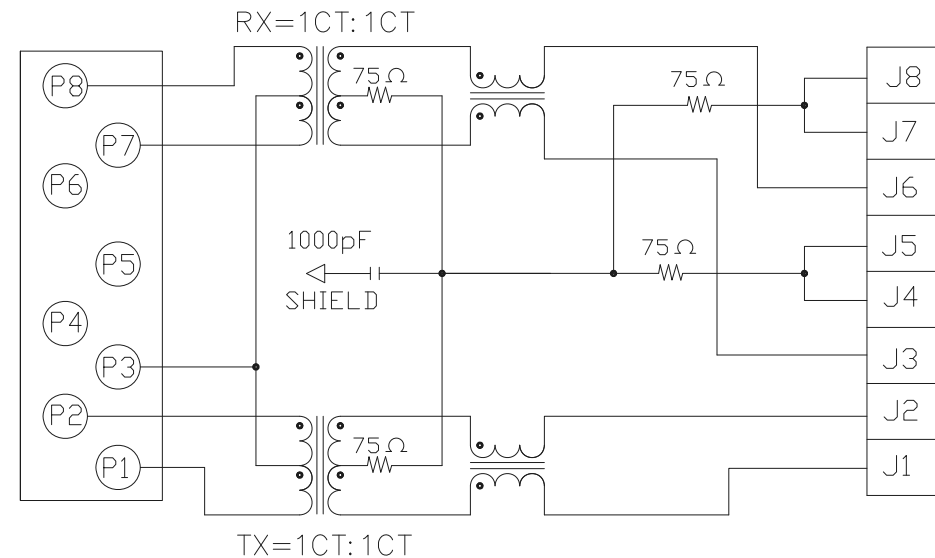
TRANSFORMER

CONNECTOR SOLDER SIDE

RJ45 CONTACT SIDE

Specification :

Item	Parameter	Condition	Min.	Typ.	Max.	Unit	REMARK
1	Insertion loss	1-100 MHz			-1	dB	
2	Return loss	1-30 MHz	-16			dB	
		40 MHz	-14			dB	
		50 MHz	-13.5			dB	
		60 MHz	-13			dB	
3	□CL @100KHz/0.1V WITH 8mA DC Bias	100 KHz	350			μH	
		1-30 MHz	-40			dB	
		30-60 MHz	-35			dB	
		60-100 MHz	-30			dB	
5	Hipot	Vrms	1.5			kV	
6	Turns Ratio (Chip : Cable)	TX: 1 : 1				CT	
		RX: 1 : 1				CT	
7	CMR	1-30 MHz	-30			dB	
		30-60 MHz	-25			dB	
		60-125 MHz	-20			dB	



CONNECTOR SCHEMATIC

RoHS Compliant

TOLERANCES ARE

MORETHANALL
PCB CONNECTORS
Cable ASSEMBLIES

DRAWING BY CY

X, ±
.X ± 0.25
.XX ± 0.13
.XXX ± 0.05
ANG ±

CHECKED BY GENIUS

UNIT / mm SCALE 1 : 1

DATE

SIZE A4

PJECTION

照片框

ORDER INFORMATION

MJF13T03L-KF06B3GY34-0808

SERIES

06u" GOLD
FULL SPRING
BLACK

8P8C

LEFT / RIGHT
GY: GREEN / YELLOW
REAR TAB 3.05mm

煜倫股份有限公司

www.morethanall.com

DESCRIPTION: