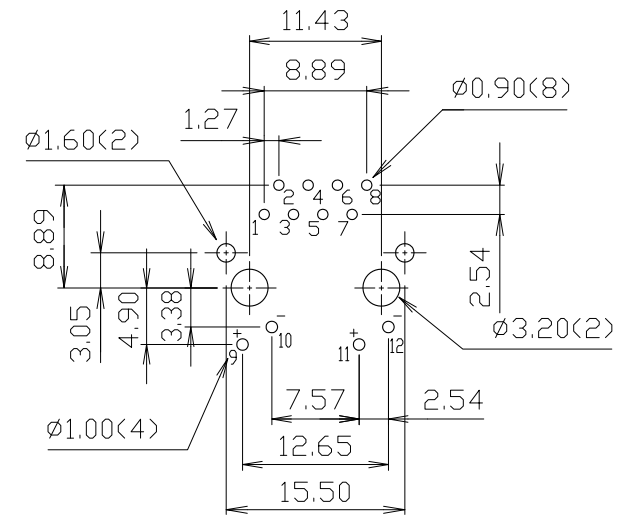


MATERIALS:

- HOUSING-PBT POLYESTER UL94V-0 MIXED GLASS FIBER. STANDARD COLOR-BLACK.
- CONTACTS-0.35mm THICK PHOS-BRONZE PLATED WITH 6u" HARD GOLD IN SOLDER AREA.
- SHIELD-0.25mm THICK COPPER ALLOY, PLATED WITH NICKEL.

CAVITY CONFIRMS TO FCC RULES AND REGULATIONS PART 68,SUBPART F.



RoHS Compliant

TOLERANCES ARE

MORETHANALL
PCB CONNECTORS
Cable ASSEMBLIES

DRAWING BY CY

CHECKED BY GENIUS

UNIT / mm

SCALE 1 : 1

DATE

SIZE A4

PJECTION

X, ±
.X ± 0.25
.XX ± 0.13
.XXX ± 0.05
ANG ±

照片框

ORDER INFORMATION

MJF13T03L-KF06B3GG43-0808

SERIES

8P8C

06u" GOLD
FULL SPRING
BLACK

LEFT / RIGHT
GY: GREEN / GREEN
REAR TAB 3.05mm

煜倫股份有限公司

www.morethanall.com

DESCRIPTION:

SINGLE PORT, RJ45, SHIELDED, WITH LED WITH TRANSFORMER, SIDE ENTRY PCB JACK

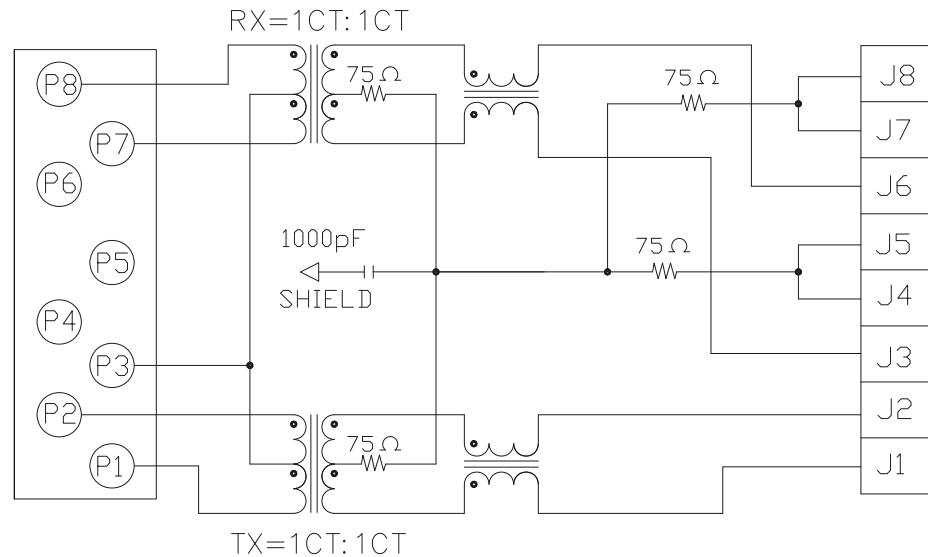
TRANSFORMER TYPE 36

CONNECTOR SOLDER SIDE

RJ45 CONTACT SIDE

Specification :

Item	Parameter	Condition	Min.	Typ.	Max.	Unit	REMARK
1	Insertion loss	1-100 MHz			-1	dB	
2	Return loss	1-30 MHz	-16			dB	
		40 MHz	-14			dB	
		50 MHz	-13.5			dB	
		60 MHz	-13			dB	
		80 MHz	-10			dB	
3	□CL @100KHz/0.1V WITH 8mA DC Bias	100 KHz	350			μH	
4	Crosstalk	1-30 MHz	-40			dB	
		30-60 MHz	-35			dB	
		60-100 MHz	-30			dB	
5	Hipot	Vrms	1.5			kV	
6	Turns Ratio (Chip : Cable)	TX: 1 : 1 RX: 1 : 1				CT	
7	CMR	1-30 MHz	-30			dB	
		30-60 MHz	-25			dB	
		60-125 MHz	-20			dB	



CONNECTOR SCHEMATIC

RoHS Compliant

TOLERANCES ARE

MORETHANALL
PCB CONNECTORS
Cable ASSEMBLIES

煜倫股份有限公司

www.morethanall.com

DRAWING BY CY

CHECKED BY GENIUS

UNIT / mm SCALE 1 : 1

DATE

SIZE A4

X: ±
.X ± 0.25
.XX ± 0.13
.XXX ± 0.05
ANG ±

PJECTION

照片框

ORDER INFORMATION

MJF13T03L-KF06B3GG43-0808

SERIES

06u" GOLD
FULL SPRING
BLACK

8P8C
LEFT / RIGHT
GY: GREEN / GREEN
REAR TAB 3.05mm

DESCRIPTION: SINGLE PORT, RJ45, SHIELDED, WITH LED WITH TRANSFORMER, SIDE ENTRY PCB JACK