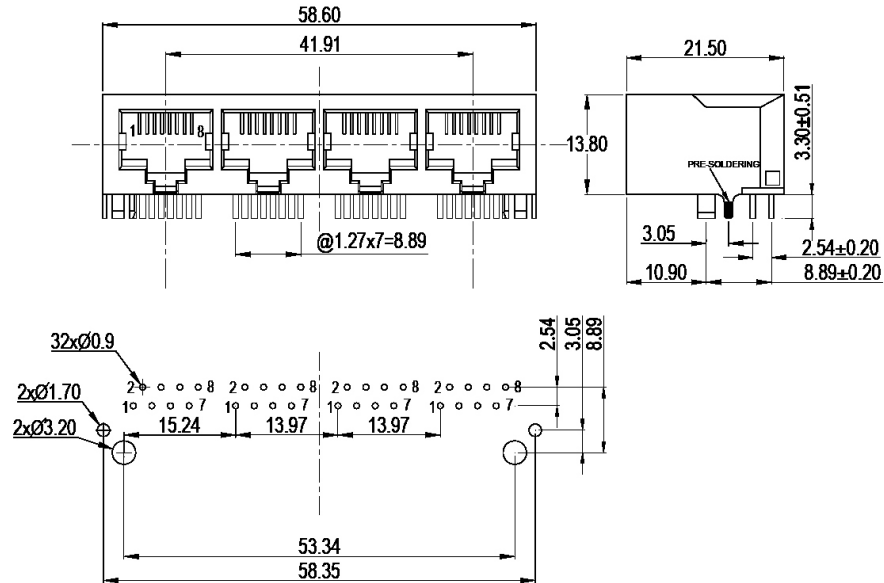
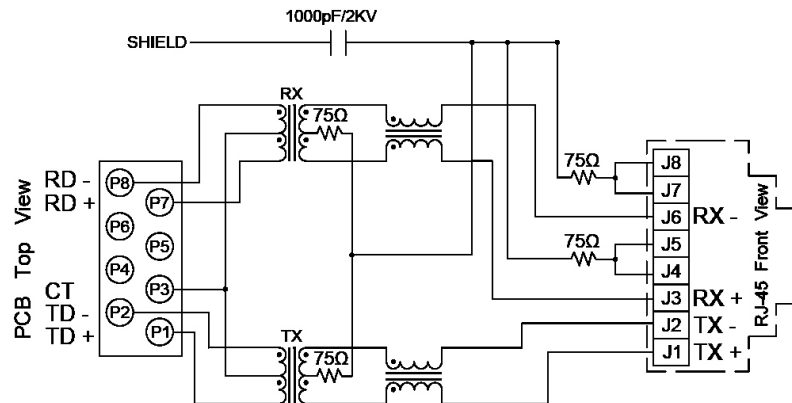


一、Mechanical Dimensions



UNIT: mm Unless otherwise specified, all tolerances are ± 0.25

二、Schematics



三、ELECTRICAL SPECIFICATIONS@25°C:

1. Turn Ratio($\pm 5\%$): 1CT:1CT
2. OCL(100KHz/0.1V@8mA): 350uH MIN
3. Insertion Loss(dB MAX):-1.0dB(1-100MHz)
4. Return Loss(dB MIN): -18dB(1-30MHz),-16dB(30-60MHz),-12dB(60-80MHz)
5. Cross talk(dB MIN): -30dB(1-100MHz)
6. CMR(dB MIN):-30dB(1-100MHz)
7. HI-POT(Pri to Sec):1500Vrms/0.5mA/60Sec or 1650Vrms/0.5mA/2Sec
8. Operating Temperature:0°C~+70°C
9. RoHS compliance:YES

RoHS Compliant

MORE THAN ALL
CONNECTORS
ASSEMBLIES

PART NO. MJF13T03A4-KX06B3-0808

DWG NO. MJF13T03A4-KX06B3-0808

FILE NO.

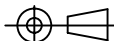
UNIT / mm

SCALE 1:1

CHECKED BY CY

DRAWING BY

PROJECTION



TOLERANCES ARE

.X \pm 0.2
.XX \pm
.XXX \pm
AWG

DESCRIPTION:

AREA

REVISIONS

HK

DATE

焯倫股份有限公司

四、Mechanicals

Housing Material:

MATERIAL:NYLON GF (Fr50) UL94V-0 STANDARD COLOR:BLACK

Insert Material:

MATERIAL:Phos-Bronze C5210 EH--0.35mm Thickness

Insert -PBT GF UL94V-0

- 1.PLATING(1) NICKEL
- 2.PLATING(2) 100%Sn
- 3.PLATING(3) GOLD (3u " ~50u ")

Plate Material:

PBT GF UL 94V-0

Contact pin Material:

MATERIAL: Phos-Bronze C5191 ---0.35mm Thickness

- 1.PLATING(1) NICKEL
- 2.PLATING(2) 100%Sn

Shielding Material:

BRASS C2680 PLATING NICKEL

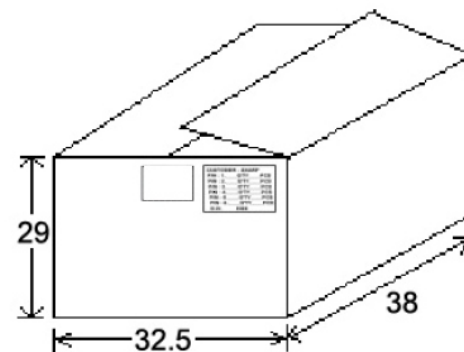
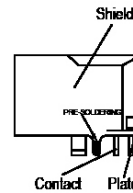
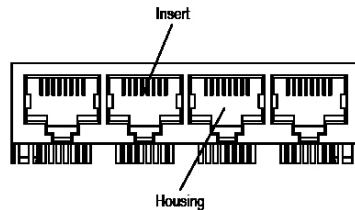
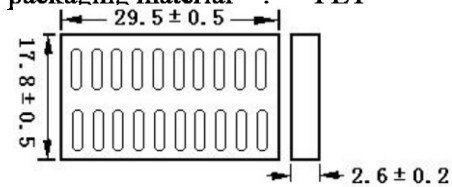
Operating Life:750 Cycles MIN.

五、Environmental

- 1.Storage Temp:-40°C TO +85°C.
- 2.Operating Temp:0°C TO +70°C.
- 3. MATES WITH MODULAR PLUG CONFORMING TO FCC PART 68,SUBPART F.

六、Packaging

- 1. packaging unit : 20 PCS/tray
- 2. packaging material : PET



Trays/box

Unit=cm



PART NO. MJF13T03A4-KX06B3-0808

RoHS Compliant

DWG NO. MJF13T03A4-KX06B3-0808

CHECKED BY CY

TOLERANCES ARE

DESCRIP TION:

FILE NO.

DRAWING BY

.X ± 0.2
.XX ±
.XXX ±
AWG

AREA

REVISIONS

HK

DATE

煜倫股份有限公司

UNIT / mm

SCALE 1:1

PROJECTION

