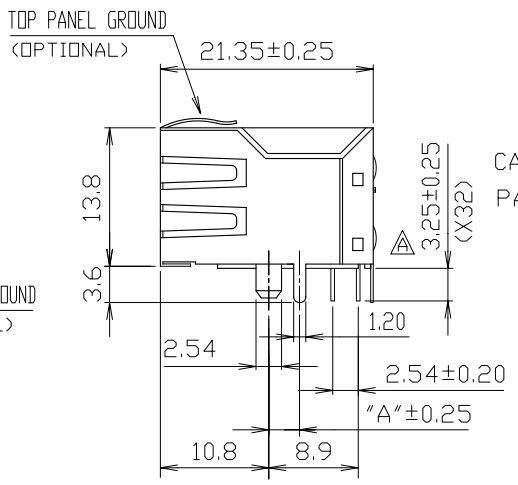
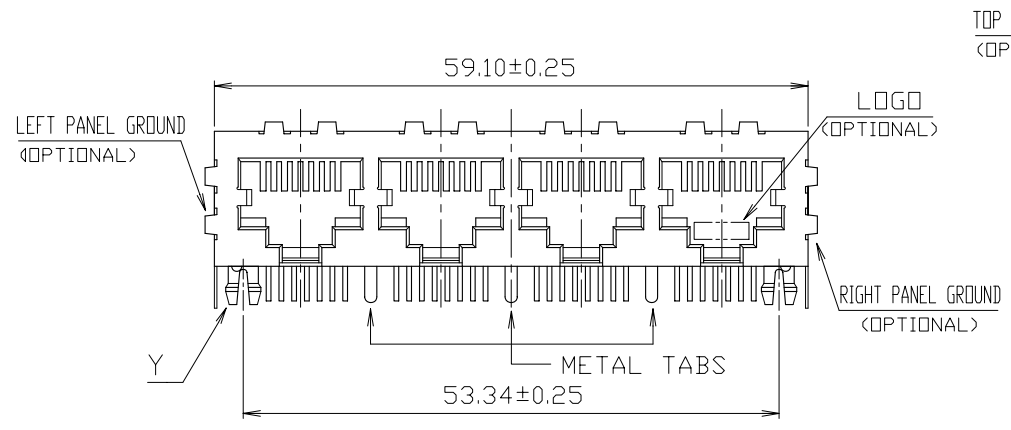
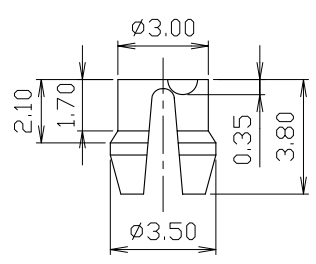
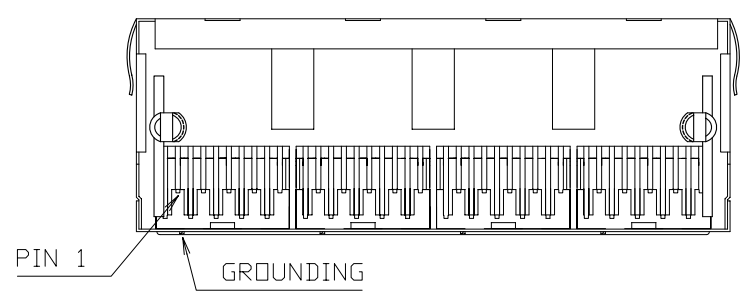


MATERIAL:
 •HOUSING-PBT POLYESTER UL94V-0 MIXED GLASS FIBER. STANDARD COLOR-BLACK
 •CONTACTS-0.35mm THICK PHOS-BRONZE WITH HARD GOLD AND TIN/LEAD PLATED IN SOLDER AREA.
 •SHIELD-0.25mm THICK COPPER ALLOY, PLATED WITH NICKEL.

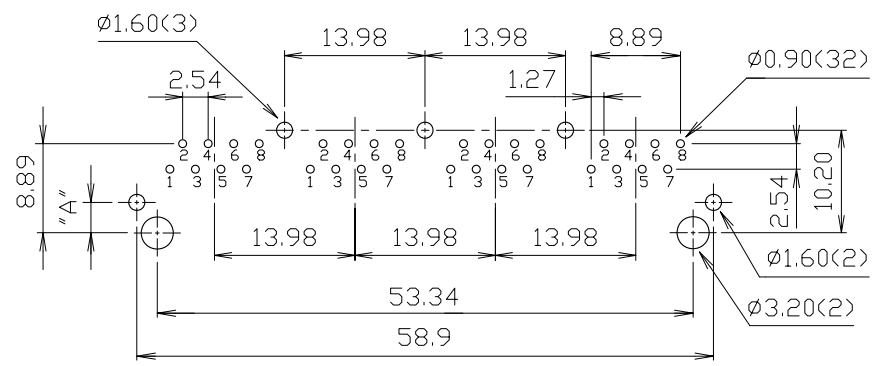
CAVITY CONFIRMS TO FCC RULES AND REGULATIONS PART 68,SUBPART F.



REVISIONS			
LTR	DESCRIPTION	DATE	APP
△	3.40±0.25	05/29/04	CHANG



DETAIL Y



PCB LAYOUT
 Ref.

MORETHANALL
 CONNECTORS
 ASSEMBLIES

PART NO. MJF13T03A4-KF06B3-0808

RoHS Compliant

DWG NO. MJF13T03A4-KF06B3-0808

CHECKED BY CY

TOLERANCES ARE

DESCRIP TION:

4PORTS, RJ45, SHIELDED, FLAT PIN WITH TRANSFORMER, SIDE ENTRY PCB JACK

FILE NO.

DRAWING BY

.X ± 0.2
 .XX ±
 .XXX ±
 AWG

AREA	REVISIONS	HK	DATE
------	-----------	----	------

煜倫股份有限公司

UNIT / mm SCALE 1:1

PROJECTION

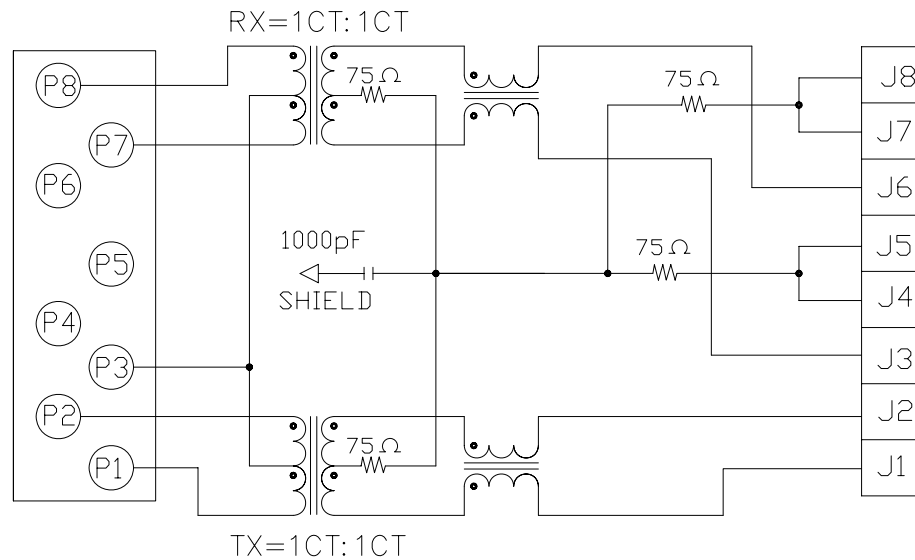
TRANSFORMER TYPE 36

CONNECTOR SOLDER SIDE

RJ45
CONTACT SIDE

Specification :

Item	Parameter	Condition	Min.	Typ.	Max.	Unit	REMARK
1	Insertion loss	1-100 MHz			-1	dB	
2	Return loss	1-30 MHz	-16			dB	
		40 MHz	-14			dB	
		50 MHz	-13.5			dB	
		60 MHz	-13			dB	
3	□CL @100KHz/0.1V WITH 8mA DC Bias	100 KHz	350			μH	
		80 MHz	-10			dB	
4	Crosstalk	1-30 MHz	-40			dB	
		30-60 MHz	-35			dB	
		60-100 MHz	-30			dB	
5	Hipot	Vrms	1.5			kV	
6	Turns Ratio (Chip : Cable)	TX: 1 : 1 RX: 1 : 1				CT	
7	CMR	1-30 MHz	-30			dB	
		30-60 MHz	-25			dB	
		60-125 MHz	-20			dB	



MORETHANALL
CONNECTORS
ASSEMBLIES

PART NO. MJF13T03A4-KF06B3-0808

DWG NO. MJF13T03A4-KF06B3-0808

CHECKED BY CY

TOLERANCES ARE

DESCRIPTION:

TRANSFORMER TYPE 36
SPECIFICATION

煜倫股份有限公司

FILE NO.

DRAWING BY

.X ± 0.2
.XX ±
.XXX ±
AWG

AREA

REVISIONS

HK

DATE

UNIT / mm

SCALE 1:1

PROJECTION

