

B			PART NO. MJF13T03A4-KF06A4-0808		RoHS Compliant	
			DWG NO. MJF13T03A4-KF06A4-0808		CHECKED BY CY	
A	FILE NO.		DRAWING BY		TOLERANCES ARE	
	UNIT / mm	SCALE 1:1	PROJECTION		.X ± 0.2 .XX ± .XXX ± AWG	
DESCRIPTION:					4PORTS, RJ45, SHIELDED, FLAT PIN WITH TRANSFORMER, SIDE ENTRY PCB JACK	
AREA					REVISIONS	HK DATE

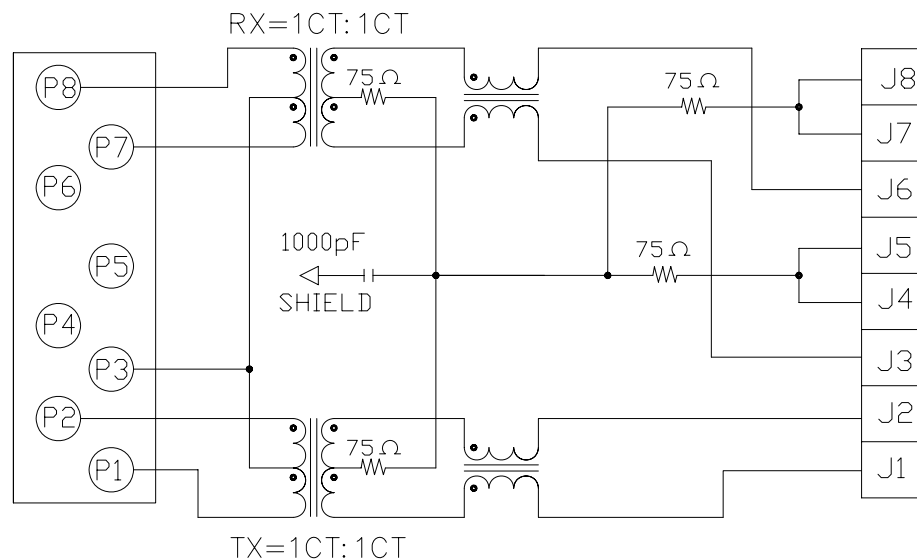
# TRANSFORMER TYPE 36

CONNECTOR SOLDER SIDE

RJ45  
CONTACT SIDE

Specification :

Item	Parameter	Condition	Min.	Typ.	Max.	Unit	REMARK
1	Insertion loss	1-100 MHz			-1	dB	
2	Return loss	1-30 MHz	-16			dB	
		40 MHz	-14			dB	
		50 MHz	-13.5			dB	
		60 MHz	-13			dB	
		80 MHz	-10			dB	
3	□CL @100KHz/0.1V WITH 8mA DC Bias	100 KHz	350			μH	
4	Crosstalk	1-30 MHz	-40			dB	
		30-60 MHz	-35			dB	
		60-100 MHz	-30			dB	
5	Hipot	Vrms	1.5			kV	
6	Turns Ratio (Chip : Cable)	TX: 1 : 1 RX: 1 : 1				CT	
7	CMR	1-30 MHz	-30			dB	
		30-60 MHz	-25			dB	
		60-125 MHz	-20			dB	



**MORETHANALL**  
CONNECTORS  
ASSEMBLIES

PART NO. MJF13T03A4-KF06A4-0808

DWG NO. MJF13T03A4-KF06A4-0808

CHECKED BY CY

TOLERANCES ARE

DESCRIPTION: TRANSFORMER TYPE 36  
SPECIFICATION

FILE NO.

DRAWING BY

.X ± 0.2  
.XX ±  
.XXX ±  
AWG

煜倫股份有限公司

UNIT / mm SCALE 1:1

PROJECTION

AREA	REVISIONS	HK	DATE
------	-----------	----	------