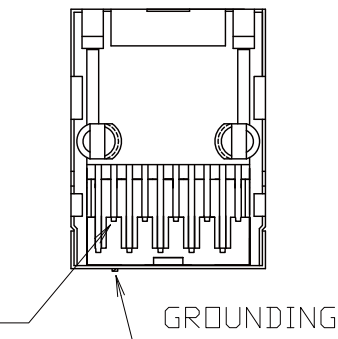


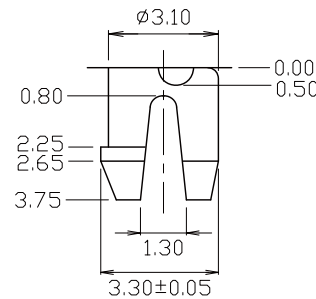
MATERIAL:

- HOUSING-PBT POLYESTER UL94V-0 MIXED GLASS FIBER. STANDARD COLOR-BLACK
- CONTACTS-0.35mm THICK PHOS-BRONZE WITH HARD GOLD AND GOLD FLASH PLATED IN SOLDER AREA.
- SHIELD-0.25mm THICK COPPER ALLOY, PLATED WITH NICKEL.

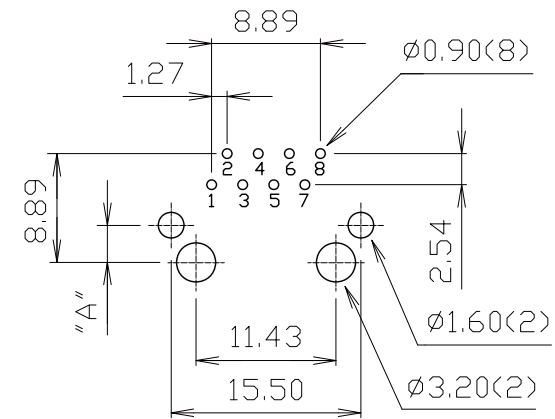
CAVITY CONFIRMS TO FCC RULES AND REGULATIONS PART 68,SUBPART F.



REVISIONS			
LTR	DESCRIPTION	DATE	APP
△	3.40±0.25	05/29/'04	CHANG



DETAIL Y



PC Board Layout Ref.

RoHS Compliant

TOLERANCES ARE

MORETHANALL
PCB CONNECTORS
Cable ASSEMBLIES

煜倫股份有限公司

www.morethanall.com

DRAWING BY CY

CHECKED BY GENIUS

UNIT / mm

SCALE 1 : 1

DATE

SIZE A4

X.±
.X±
.XX±
.XXX±
ANG±

P PROJECTION

照片框

ORDER INFORMATION

MJF13T03-KX06B3-0808-LF

SERIES

LEADFREE
8P8C
REAR TAB 3.05mm
06u" GOLD
NON EAR
BLACK

DESCRIPTION: SINGLE PORT, RJ45, SHIELDED, FLAT PIN WITH TRANSFORMER, SIDE ENTRY PCB JACK