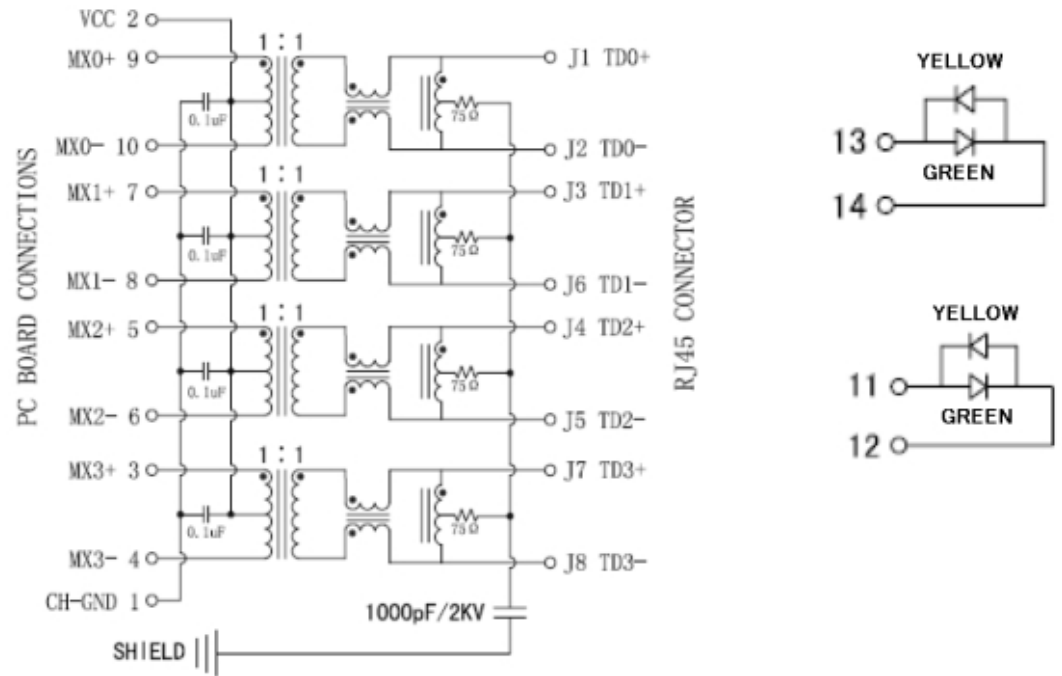


ELECTRICAL CHARACTERISTIC @25°C :

1. Impedance: 100Ω
2. Turns Ratio:
TX=1:1 RX=1:1
3. Inductance:
350uH MIN@100KHz, 0.1V, 8mA DC BIAS.
4. Cross Talk (Min):
0.5-40MHZ: -35 dB
40.1-100MHZ: 33-20LOG (f/50)
5. Return Loss (Min):
0.5-40MHz: -18dB
40.1-100MHz: 12-20 LOG(f/50)
6. CMR (Min):
0.5-100MHz: -30dB
7. Insertion Loss (Max):
0.5-100MHz: -1.1dB
8. Isolation Voltage: 1500V
9. Operating Temperature: 0°C~70°C

SCHEMATIC DRAWING :



RoHS Compliant

TOLERANCES ARE

MORETHANALL
PCB CONNECTORS
Cable ASSEMBLIES

DRAWING BY CY

X, ±
.X ± 0.25
.XX ± 0.15
.XXX ± 0.05
ANG ±

CHECKED BY GENIUS

UNIT / mm SCALE 1 : 1

DATE

SIZE A4 PROJECTION

照片框

ORDER INFORMATION

MJF13T012UL-KF06B3GYGY24-0808

SERIES

8P8C

LED1 /

LED2

GREEN, YELLOW / GREEN, YELLOW

REAR TAB 3.05mm

BLACK 06u" GOLD FULL SPRING

DESCRIPTION:

煜倫股份有限公司

www.morethanall.com