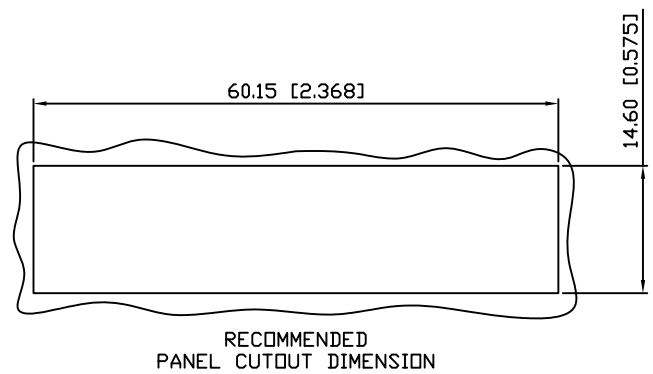
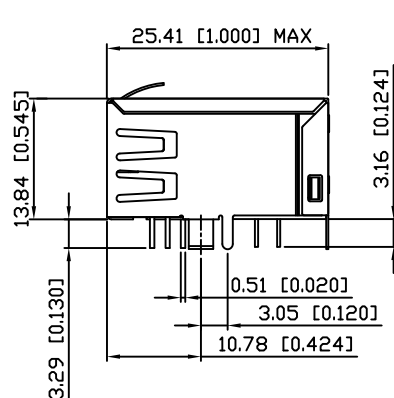
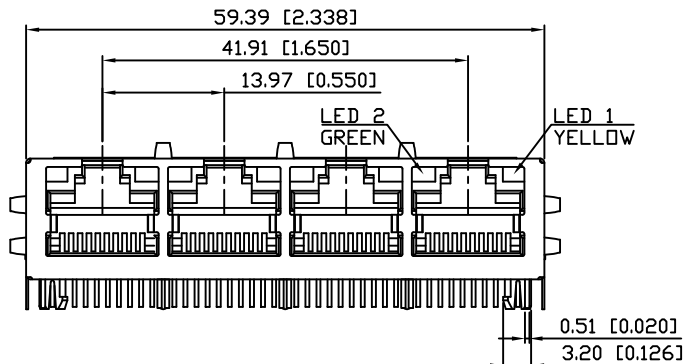
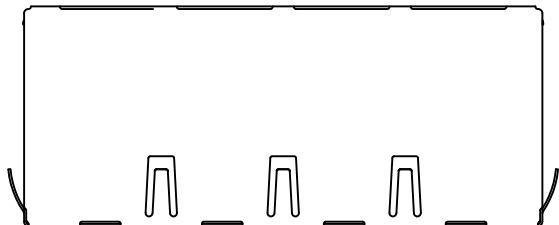
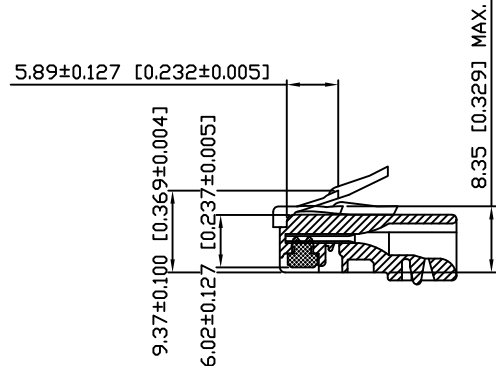


1. MECHANICAL DIMENSIONS :



RECOMMENDED PLUG DIMENSION:



- NOTES:
1. MATERIAL:
HOUSING: LCP POLYESTER, UL94V-0, MIXED GLASS FIBER, COLOR-BLACK
CONTACTS: 0.35mm THICK PHOS-BRONZE PLATED WITH 30u" GOLD AND TIN IN SOLDER AREA, AND NICKEL PLATING IN ALL AREA
SHIELD: 0.25mm THICK COPPER ALLOY, PLATED WITH NICKEL.
 2. OPERATING TEMPERATURE: 0°C~+70°C
 3. INSERTION FORCE: 4 POUNDS MAX.
EXTRACTION FORCE: 4 POUNDS MAX.
 4. DURABILITY: 750 MATING CYCLED MIN.
 5. CAVITY CONFORMS TO FCC RULES AND REGULATIONS PART 68, SUBPART F.
 6. UNSPECIFIED TOLERANCE: .XX ±0.25[0.010]
.X ±0.30[0.012]

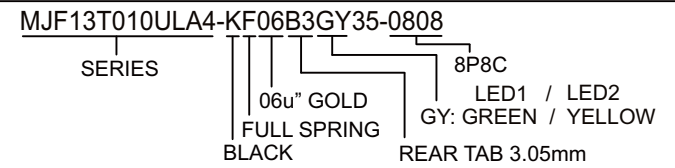
RoHS Compliant TOLERANCES ARE

MORETHANALL
PCB CONNECTORS
Cable ASSEMBLIES
煜倫股份有限公司
www.morethanall.com

DRAWING BY CY		X. ±
CHECKED BY GENIUS		.X ±
UNIT / mm	SCALE 1 : 1	.XX ±
DATE		.XXX ±
SIZE A4	P PROJECTION	ANG ±

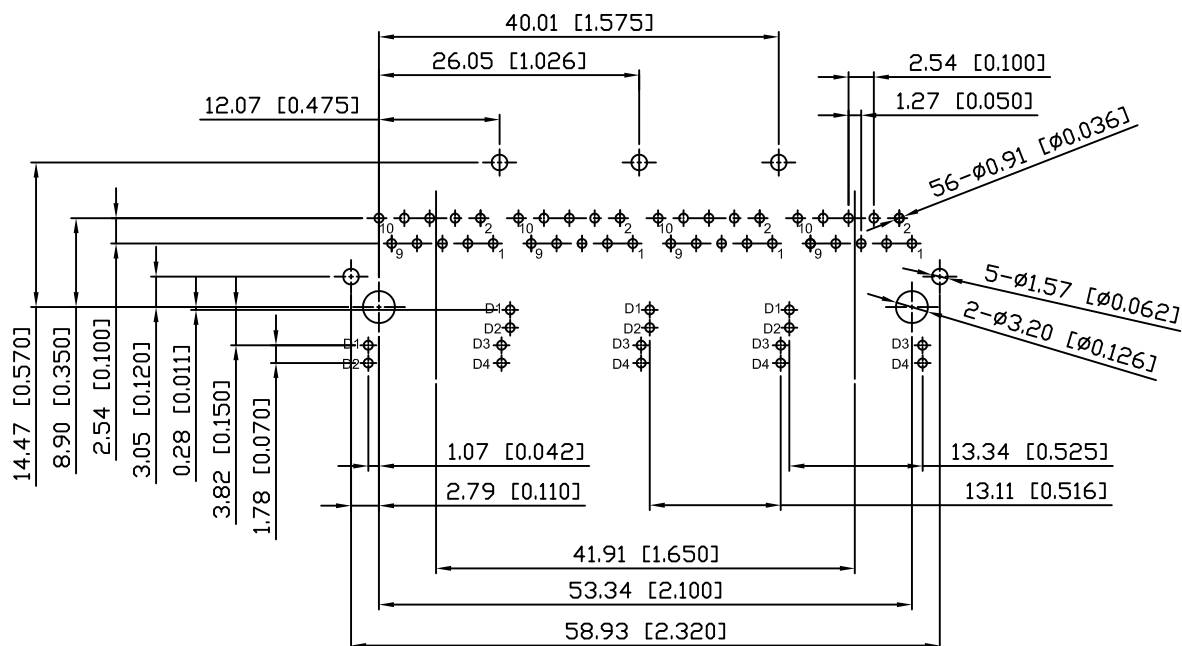


ORDER INFORMATION



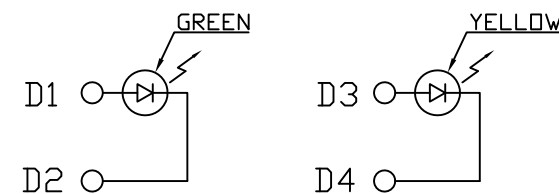
DESCRIPTION: RJ45 8P10C, W/ 1G TRANSFORMER, W/LED, SHIELDED

2. PCB LAYOUT :



SUGGESTED PCB LAYOUT
(TOP VIEW)
DIMENSIONAL TOLERANCE: .XX ±0.08[0.003]

3. LED CONFIGURATION :



RoHS Compliant

TOLERANCES ARE

MORETHANALL
PCB CONNECTORS
Cable ASSEMBLIES

DRAWING BY CY

X.±

CHECKED BY GENIUS

.X±

UNIT / mm

SCALE 1 : 1

.XX±

DATE

.XXX±

ANG±

照片框

ORDER INFORMATION

MJF13T010ULA4-KF06B3GY35-0808

SERIES

06u" GOLD

FULL SPRING

BLACK

8P8C

LED1 / LED2

GY: GREEN / YELLOW

REAR TAB 3.05mm

煜倫股份有限公司

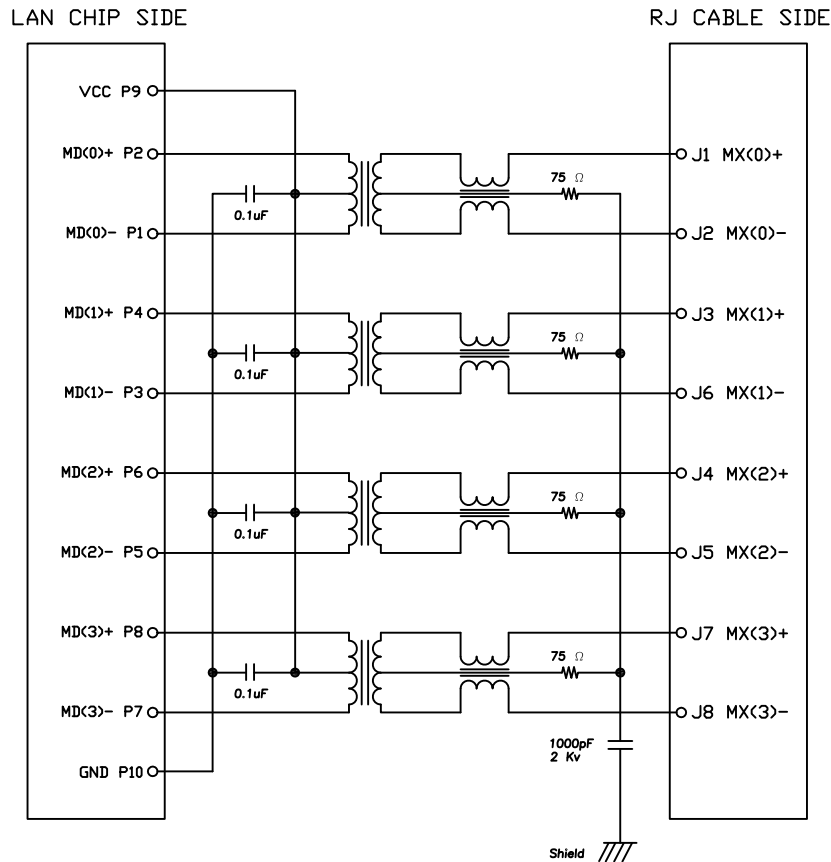
www.morethanall.com

SIZE A4

PJECTION

DESCRIPTION: RJ45 8P10C, W/ 1G TRANSFORMER, W/LED, SHIELDED

4. SCHEMATIC :



5. ELECTRICAL CHARACTERISTICS :

TEST NOTES:(25±5°C)

- 1.TR:
INPUT TO OUTPUT=1:1±3%
- 2.LX:(100KHz,100mV,8mA, DC Bias)
350uH MINIMUM
- 3.DCR:
EVERY RJ PAIR=1.2 Ω MAXIMUM
- 4.HIPOT:
INPUT TO OUTPUT PIN: 1500 VAC/60SEC
- 5.INSERTION LOSS:
-0.8dB MAXIMUM AT 0.3MHz TO 100MHz
-1.2dB MAXIMUM AT 100MHz TO 125MHz
- 6.RETURN LOSS:
-20dB MINIMUM AT 1MHz TO 10MHz
-16dB MINIMUM AT 30MHz
-12dB MINIMUM AT 60MHz TO 100MHz
- 7.CROSS TALK:
-40dB MINIMUM AT 1MHz TO 10MHz
-35dB MINIMUM AT 30MHz TO 60MHz
-30dB MINIMUM AT 60MHz TO 100MHz
- 8.COMMON TO COMMON MODE REJECTION:
-30dB MINIMUM AT 300KHz TO 100MHz

RoHS Compliant

TOLERANCES ARE

MORETHANALL
PCB CONNECTORS
Cable ASSEMBLIES

DRAWING BY CY

CHECKED BY GENIUS

UNIT / mm

SCALE 1 : 1

DATE

SIZE A4

X, ±
.X ±
.XX ±
.XXX ±
ANG ±

P PROJECTION

照片框

ORDER INFORMATION

MJF13T010ULA4-KF06B3GY35-0808

SERIES

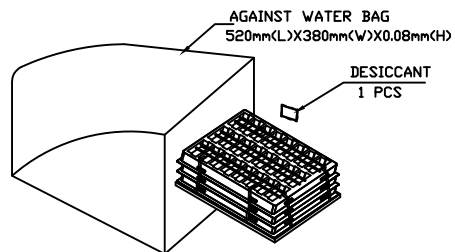
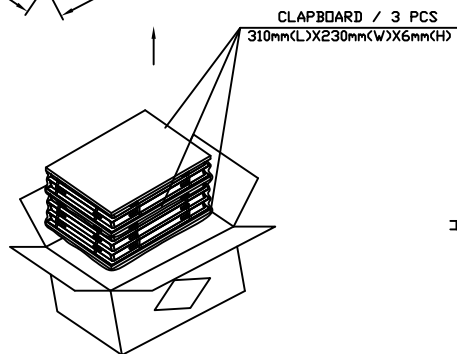
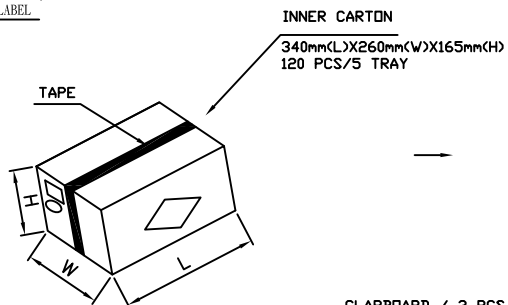
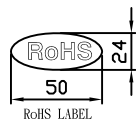
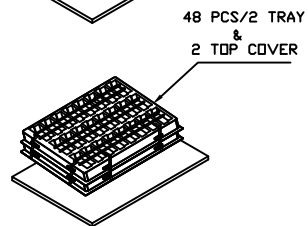
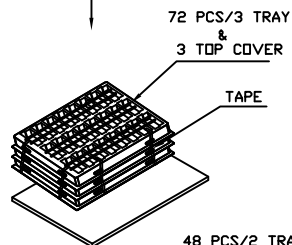
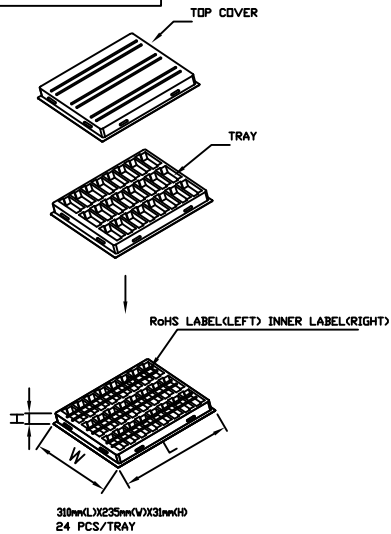
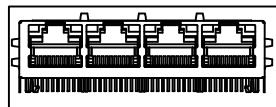
8P8C
06u" GOLD
FULL SPRING
BLACK
LED1 / LED2
GY: GREEN / YELLOW
REAR TAB 3.05mm

煜倫股份有限公司

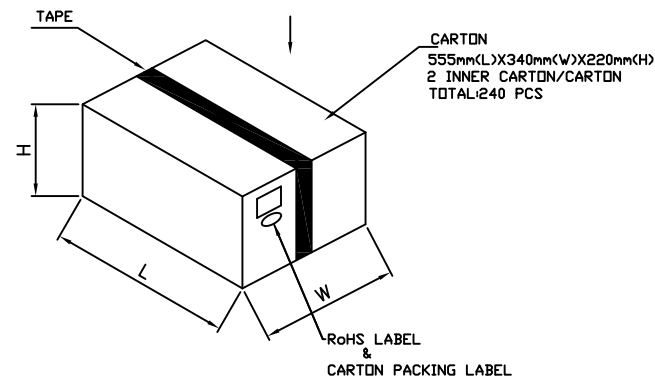
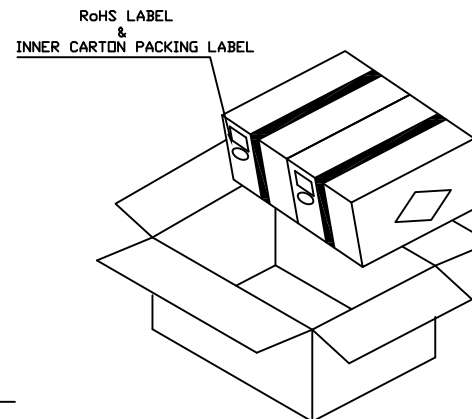
www.morethanall.com

DESCRIPTION: RJ45 8P10C, W/ 1G TRANSFORMER, W/LED, SHIELDED

6. PACKING SPECIFICATION:



VACUUM SEALED



RoHS Compliant

TOLERANCES ARE

MORETHANALL
PCB CONNECTORS
Cable ASSEMBLIES

煜倫股份有限公司

www.morethanall.com

DRAWING BY CY
CHECKED BY GENIUS
UNIT / mm SCALE 1 : 1
DATE
SIZE A4 PPROJECTION

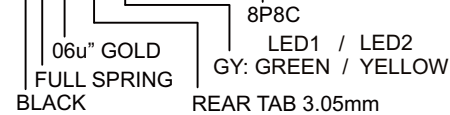
X, ±
.X ±
.XX ±
.XXX ±
ANG ±

照片框

ORDER INFORMATION

MJF13T010ULA4-KF06B3GY35-0808

SERIES



DESCRIPTION: RJ45 8P10C, W/ 1G TRANSFORMER, W/LED, SHIELDED