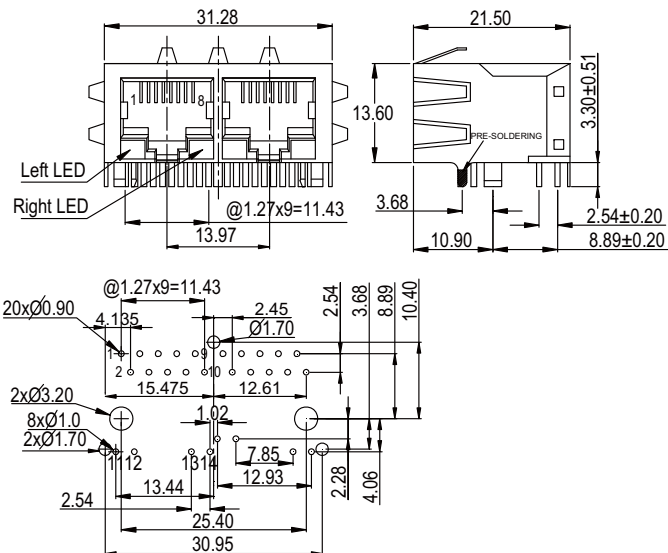
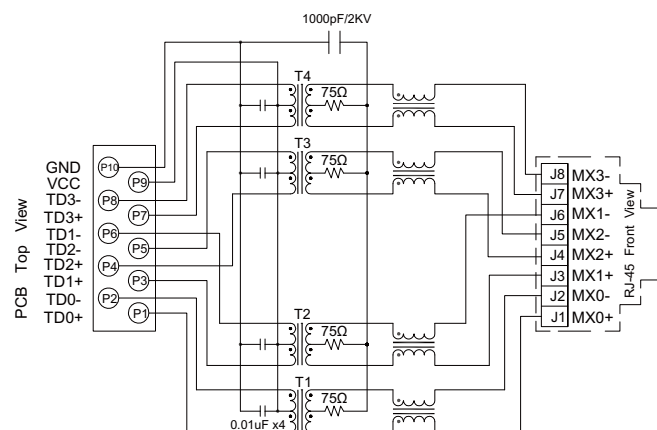


一、Mechanical Dimensions



Unit mm Unless otherwise specified, all tolerances are ±0.25

二、Schematics



Standard LED	Wavelength	Forward*V(MAX)	TYP
Green	565nm	2.5v	2.2v
Yellow	585nm	2.5v	2.1v

With a forward current of 20mA

三、ELECTRICAL SPECIFICATIONS@25 °C:

1. Turn Ratio(f2%): 1CT:1CT
2. OCL(100KHz/0.1V@8mA): 350uH MIN
3. Insertion Loss (dB MAX): -1.0dB(1-100MHz)
4. Return Loss (dB MIN): -18dB(1-30MHz),-16dB(30-45MHz),-14dB(45-60MHz),
-12dB(60-80MHz)
5. Cross talk (dB TYP): -35dB(1-100MHz)
6. CMR(dB TYP): -35dB(1-100MHz)
7. HI-POT(Pri to Sec): 1500Vrms/0.5mA/60Sec or 1650Vrms/0.5mA/2Sec
8. Operating Temperature: 0°C +70°C
9. RoHS compliance: YES

RoHS Compliant

TOLERANCES ARE

MORETHANALL
PCB CONNECTORS
Cable ASSEMBLIES

DRAWING BY CY

X, ±

CHECKED BY GENIUS

.X ±

UNIT / mm

SCALE 1 : 1

.XXX ±

DATE

ANG ±

SIZE A4

PPOJECTION

照片框

ORDER INFORMATION

MJF13T010LA2-KF06A4YG-0808-LF

SERIES

||

||

||

||

||

||

||

||

||

||

||

||

||

||

||

||

BLACK

06u"

GOLD

FULL

SPRING

FRONT

TAB

4.06mm

YELLOW / GREEN

8P8C

LEADFREE

DESCRIPTION: RJ45 1000 Base-T 1X2 TAB-DOWN JACK WITH MAGANETIC MODULE

煜倫股份有限公司

www.morethanall.com

四、Mechanicals

Housing Material:

MATERIAL:NYLON 66 UL94V-0 STANDARD COLOR:BLACK

Insert Material:

MATERIAL:Phos-Bronze C5210 EH---0.35mm Thickness

Insert -PBT GF UL94V-0

- 1.PLATING(1) NICKEL
- 2.PLATING(2) 100%Sn
- 3.PLATING(3) GOLD (3u

50u)

Plate Material:

PBT GF UL 94V-0

Contact pin Material:

MATERIAL: Phos-Bronze C5191---0.35mm Thickness

- 1.PLATING(1) NICKEL
- 2.PLATING(2) 100%Sn

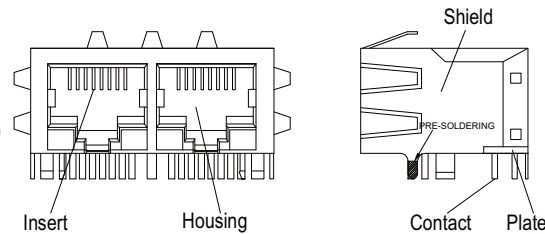
Shielding Material:

BRASS C2680 PLATING NICKEL

Operating Life:750 Cycles MIN.

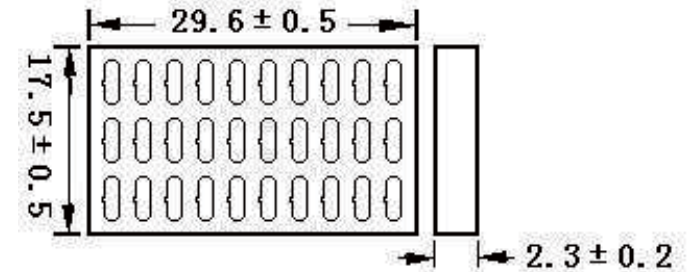
五、Environmental

- 1.Storage Temp:-40℃TO +85℃.
- 2.Operating Temp: 0℃TO +70℃
3. MATES WITH MODULAR PLUG CONFORMING TO FCC PART 68,SUBPARTF.

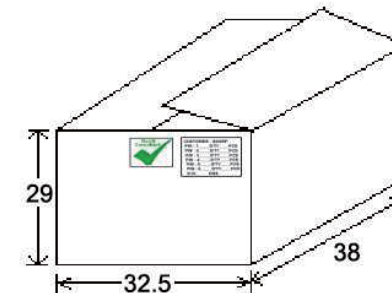


六、Packaging

1. packaging unit : 30 PCS/tray
2. packaging material : PET



outer carton unit 600 pcs/ 20Trays/box



RoHS Compliant

TOLERANCES ARE

MORETHANALL
PCB CONNECTORS
Cable ASSEMBLIES

煜倫股份有限公司

www.morethanall.com

DRAWING BY CY

CHECKED BY GENIUS

UNIT / mm SCALE 1 : 1

DATE

SIZE A4

X, ±
.X ±
.XX ±
.XXX ±
ANG ±

PPOJECTION

照片框

ORDER INFORMATION

MJF13T010LA2-KF06A4YG-0808-LF

SERIES

BLACK

06u" GOLD

FRONT TAB 4.06mm

FULL SPRING

LEADFREE

8P8C

YELLOW / GREEN

DESCRIPTION: RJ45 1000 Base-T 1X2 TAB-DOWN JACK WITH MAGANETIC MODULE