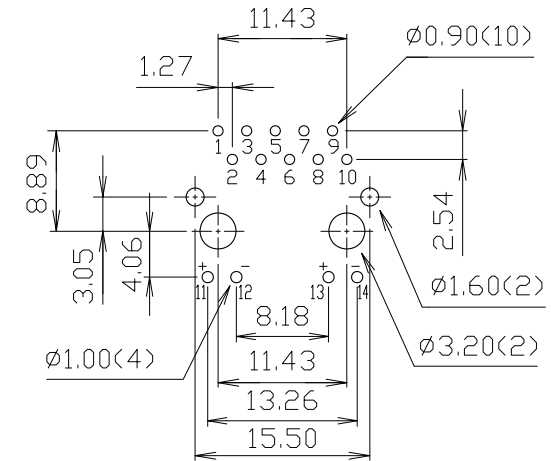


MATERIALS:

- HOUSING-PBT POLYESTER UL94V-0 MIXED GLASS FIBER. STANDARD COLOR-BLACK.
- CONTACTS-0.35mm THICK PHOS-BRONZE PLATED WITH HARD GOLD AND GOLD FLASH IN SOLDER AREA.
- SHIELD-0.25mm THICK COPPER ALLOY, PLATED WITH NICKEL.

CAVITY CONFORMS TO FCC RULES AND REGULATIONS PART 68,SUBPART F.



PC Board Layout

Ref.



煜倫股份有限公司

www.morethanall.com

RoHS Compliant

DRAWING BY CY

CHECKED BY GENIUS

UNIT / mm SCALE 1 : 1

DATE

SIZE A4

TOLERANCES ARE

X. ±
.X ±
.XX ±
.XXX ±
ANG ±

PJECTION

照片框

ORDER INFORMATION

MJF13T010L-KF06B3xx-0808-LF

SERIES

BLACK

FULL SPRING

06u" GOLD

LEADFREE

8P8C

GG:GREEN / GREEN

GY:GREEN / YELLOW

REAR TAB 3.05mm

DESCRIPTION: SINGLE PORT, RJ45, SHIELDED, WITH LED WITH TRANSFORMER, SIDE ENTRY PCB JACK

TRANSFORMER TYPE 1

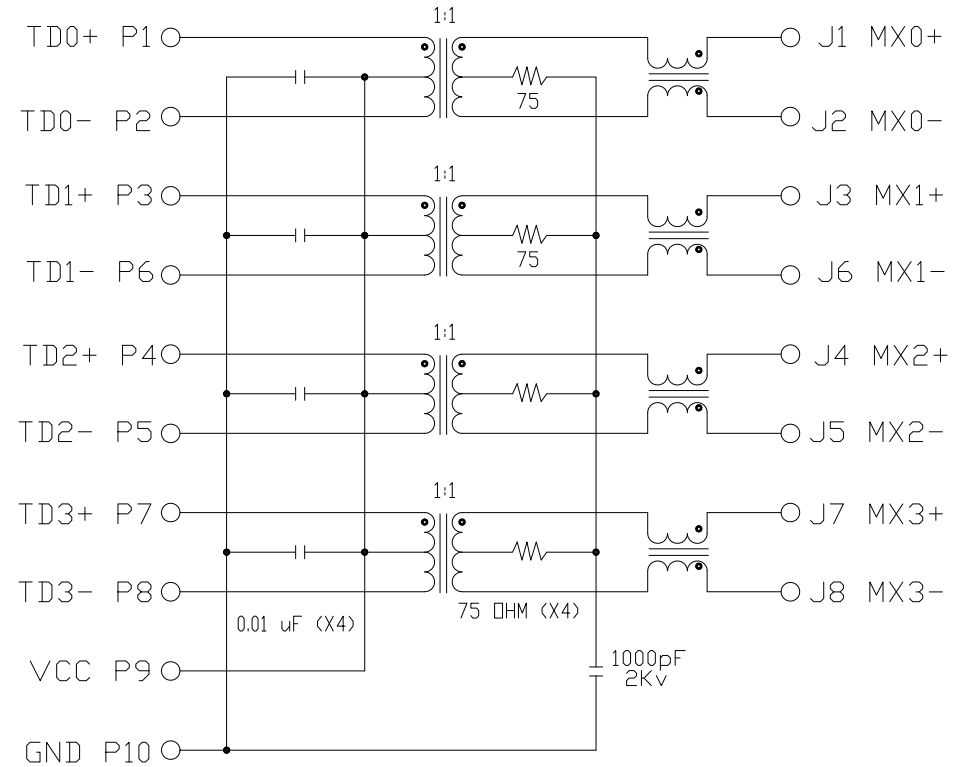
Specification :

Item	Parameter	Condition	Min.	Typ.	Max.	Unit	REMARK
1	Insertion loss	1-100 MHz			-1.1	dB	
2	Return loss	1-40 MHz	-18			dB	
		60 MHz	-14.5			dB	
		80 MHz	-12			dB	
3	□CL @100KHz, 0.1Vrms, 8mA DC BIAS	(1-3), (4-6)	350			μH	
4	Crosstalk	1-100 MHz				dB	NOTE 1
5	Hipot	Vrms	1.5			kV	
6	CMRR	1-100MHz		-30		dB	
7	□perating Temp	0 to +70°C					

*NOTE 1: $-[33-20 \log (F/100\text{MHz})]$ dB Typ.

CONNECTOR SOLDER SIDE

CONTACT SIDE
RJ45



CONNECTOR SCHEMATIC

RoHS Compliant

TOLERANCES ARE

MORETHANALL
PCB CONNECTORS
Cable ASSEMBLIES

DRAWING BY CY

X. ±

CHECKED BY GENIUS

.X ±

UNIT / mm

SCALE 1:1

.XX ±

DATE

.XXX ±

ANG ±

SIZE A4

PJECTION

照片框

ORDER INFORMATION

MJF13T010L-KF06B3xx-0808-LF

SERIES

||

||

||

||

||

||

||

||

||

||

||

BLACK

||

||

||

||

||

||

||

||

||

||

FULL SPRING

||

||

||

||

||

||

||

||

||

||

06u" GOLD

||

||

||

||

||

||

||

||

||

||

REAR TAB 3.05mm

||

||

||

||

||

||

||

||

||

||

LEADFREE

||

||

||

||

||

||

||

||

||

||

GG:GREEN / GREEN

||

||

||

||

||

||

||

||

||

||

GY:GREEN / YELLOW

||

||

||

||

||

||

||

||

||

||

煜倫股份有限公司

www.morethanall.com

DESCRIPTION: SINGLE PORT, RJ45, SHIELDED, WITH LED WITH TRANSFORMER, SIDE ENTRY PCB JACK