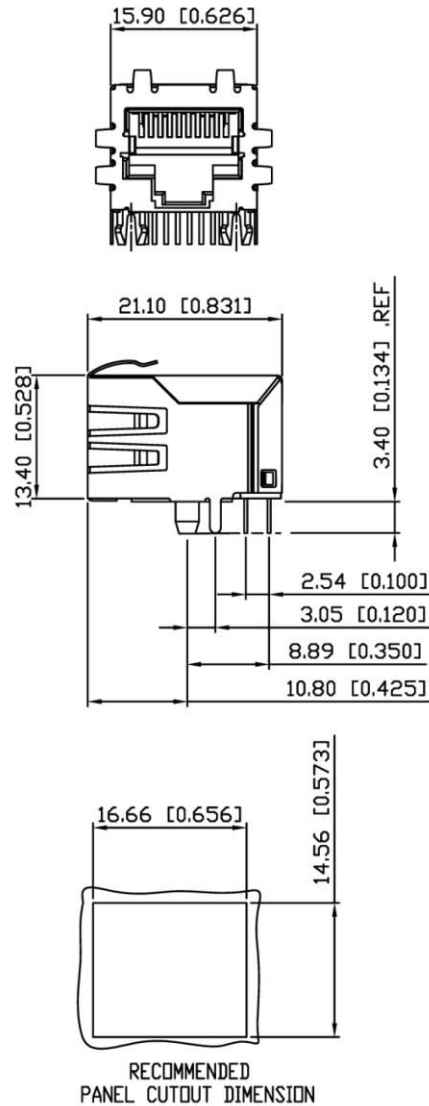


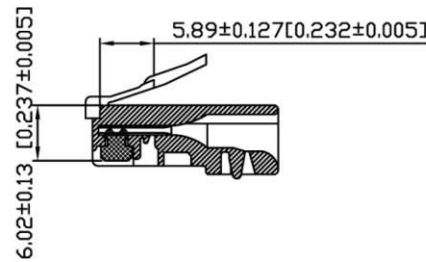
# 1. MECHANICAL DIMENSIONS :



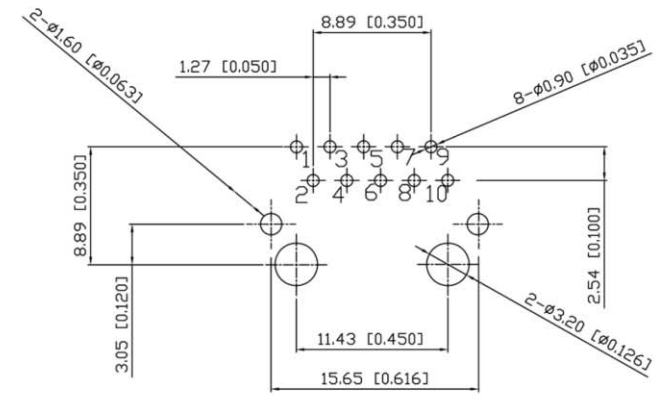
## NOTES:

1. MATERIALS:  
HOUSING-PBT POLYESTER UL94V-0  
MIXED GLASS FIBER,  
STANDARD COLOR-BLACK.  
CONTACTS-0.35mm THICK PHOS-BRONZE PLATED  
WITH 6u" GOLD AND TIN  
IN SOLDER AREA.  
SHIELD-0.25mm THICK COPPER ALLOY,  
PLATED WITH NICKEL.
2. OPERATING TEMPERATURE : 0°C~70°C
3. CAVITY CONFORMS TO FCC RULES AND REGULATIONS  
PART 68,SUBPART F.
4. UNSPECIFIED TOLERANCE: .XX ±0.25[0.010]  
.X ±0.30[0.012]

## RECOMMENED PLUG DIMENSION:



# 2. PCB LAYOUT :



SUGGESTED PCB LAYOUT  
(TDP VIEW)  
DIMENSIONAL TOLERANCE: .XX ±0.08[0.003]

RoHS Compliant

TOLERANCES ARE

**MORETHANALL**  
PCB CONNECTORS  
Cable ASSEMBLIES

DRAWING BY CY

X, ±  
.X ± 0.25  
.XX ± 0.15  
.XXX ± 0.05  
ANG ±

CHECKED BY GENIUS

UNIT / mm SCALE 1 : 1

DATE

SIZE A4

PPOJECTION

照片框

ORDER INFORMATION

MJF13T010-KF06B3-0808-LF

SERIES

LEADFREE

8P8C

REAR TAB 3.05mm

06u" GOLD

FULL SPRING

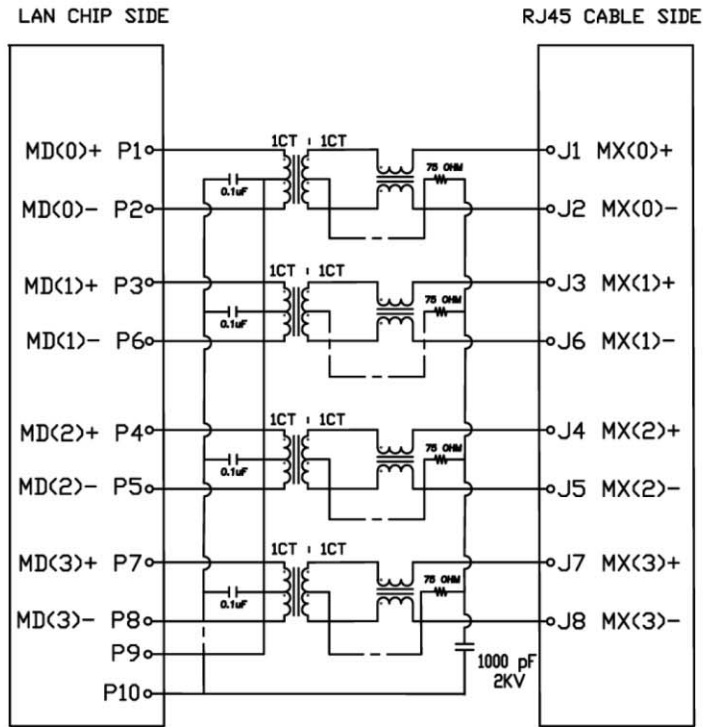
BLACK

煜倫股份有限公司

www.morethanall.com

DESCRIPTION:

### 3. SCHEMATIC:



### 4. ELECTRICAL CHARACTERISTICS :

TEST NOTES:(25±5°C)

1. TR:(100KHz,0.1V); 100%  
PINS:(P1,P2)<J1,J2>=1:1±3%;(P3,P6)<J3,J6>=1:1±3%  
PINS:(P4,P5)<J4,J5>=1:1±3%;(P7,P8)<J7,J8>=1:1±3%
2. LX:(100KHz,100mV,8mA, DC Bias) 100%  
PINS:(P1,P2),(P3,P6),(P4,P5),(P7,P8)=350uH MINIMUM
3. DCR: 100%  
PINS:(J1,J2),(J3,J6),(J4,J5),(J7,J8)=1.2Ω MAXIMUM
4. HIPDT: 100%  
PINS(P1,P2)TO(J1,J2),(P3,P6)TO(J3,J6)=1500VAC FOR 60 SECONDS  
PINS(P4,P5)TO(J4,J5),(P7,P8)TO(J7,J8)=1500VAC FOR 60 SECONDS
5. INSERTION LOSS:  
-0.8dB MAXIMUM AT 0.3MHz TO 100MHz;  
-1.2dB MAXIMUM AT 100MHz TO 120MHz
6. RETURN LOSS:  
-18dB MINIMUM AT 0.5MHz TO 40MHz;  
-12+20Log(f/80MHz)dB MINIMUM AT 40MHz TO 100MHz
7. CROSS TALK:  
-33+20Log(f/100MHz)dB MINIMUM AT 0.1MHz TO 100MHz
8. COMMON TO DIFFERENTIAL MODE REJECTION:  
-35dB MINIMUM AT 300KHz TO 100MHz
9. COMMON TO COMMON MODE REJECTION:  
-30dB MINIMUM AT 300KHz TO 100MHz

RoHS Compliant

TOLERANCES ARE

**MORETHANALL**  
PCB CONNECTORS  
Cable ASSEMBLIES

煜倫股份有限公司

www.morethanall.com

DRAWING BY CY

CHECKED BY GENIUS

UNIT / mm SCALE 1 : 1

DATE

SIZE A4

X, ±  
.X ± 0.25  
.XX ± 0.15  
.XXX ± 0.05  
ANG ±

P PROJECTION

照片框

ORDER INFORMATION

MJF13T010-KF06B3-0808-LF

SERIES

LEADFREE

8P8C

REAR TAB 3.05mm

06u" GOLD

FULL SPRING

BLACK

DESCRIPTION: