

1.2 Recommended PCB Layout

Component Side of Board

All dimension tolerances are ±0.05mm unless otherwise specified

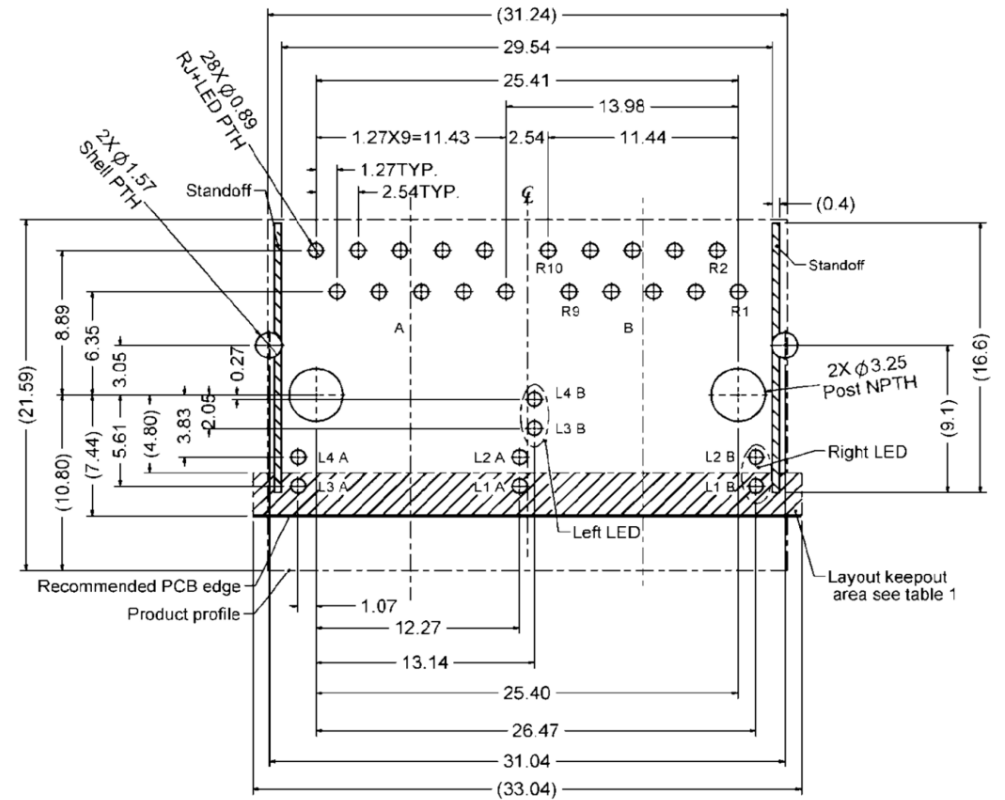


Table1

Layout	Trace	component	Grounding	Test Point	Via Hole	PTH	NPTH
Component side	X	X	O	X	X	X	O
Inner layer	O	NA	O	NA	O	X	O
Bottom side	O	O	O	O	O	X	O

X--Forbid; O--OK; NA--Not Applicable.

RoHS Compliant

TOLERANCES ARE

MORETHANALL
PCB CONNECTORS
Cable ASSEMBLIES

煜倫股份有限公司

www.morethanall.com

DRAWING BY CY

CHECKED BY GENIUS

UNIT / mm SCALE 1 : 1

DATE

SIZE A4

X, ±
.X ± 0.38
.XX ± 0.20
.XXX ±
ANG ±

P PROJECTION

照片框

ORDER INFORMATION

MJF13T009ULA2-KF06B3GG35-0808

SERIES

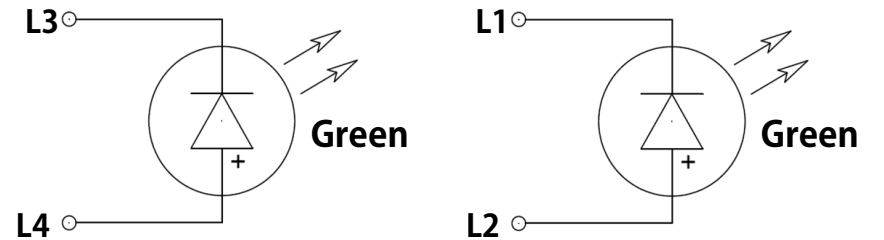
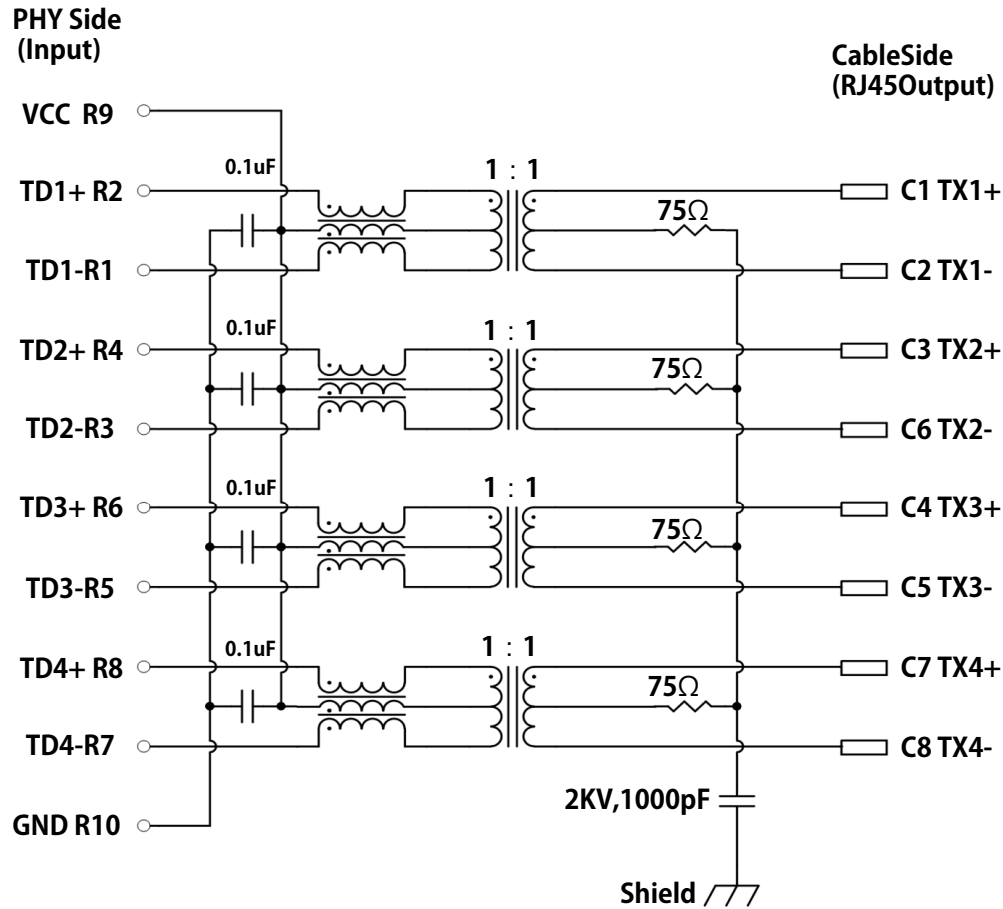
8P8C

LEFT / RIGHT
GREEN / GREEN
REAR TAB 3.05mm
BLACK 06u" GOLD

DESCRIPTION:

ELECTRICAL CHARACTERISTICS @ 25°C

Schematic



Emitting Color	λ_p (nm)	$V_f @ I_f=20mA$	$I_r @ V_r=5V$
Green	570	1.7 ~ 2.6 V	10 μ A max.

RoHS Compliant

TOLERANCES ARE

MORETHANALL
PCB CONNECTORS
Cable ASSEMBLIES

DRAWING BY CY

X. \pm
.X \pm 0.38

CHECKED BY GENIUS

.XX \pm 0.20

UNIT / mm SCALE 1 : 1

.XXX \pm
ANG \pm

DATE

SIZE A4

P PROJECTION

照片框

ORDER INFORMATION

MJF13T009ULA2-KF06B3GG35-0808

SERIES

8P8C

LEFT / RIGHT
GREEN / GREEN
REAR TAB 3.05mm
FULL SPRING
BLACK 06u" GOLD

煜倫股份有限公司

www.morethanall.com

DESCRIPTION: