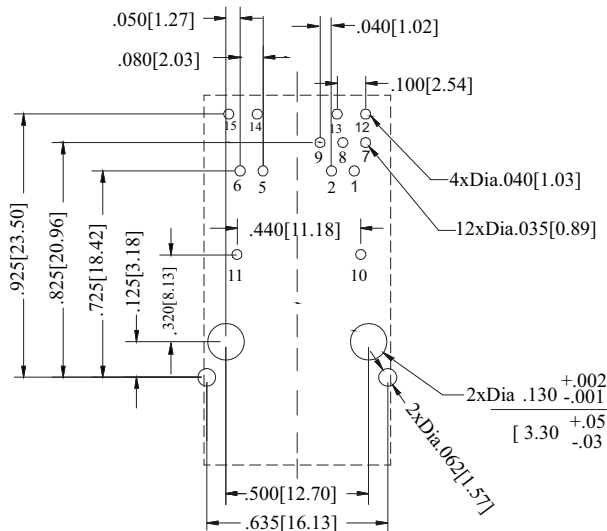
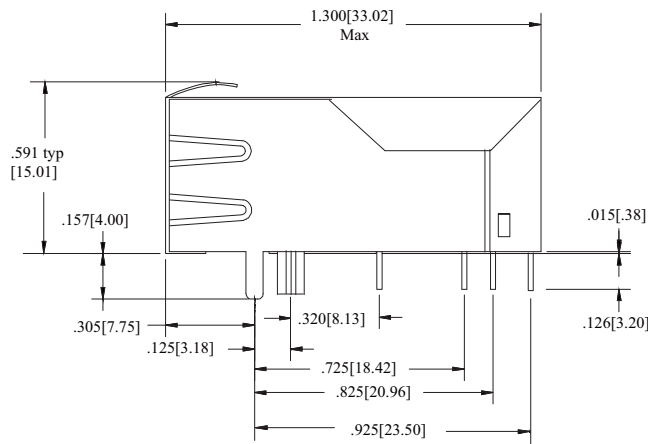
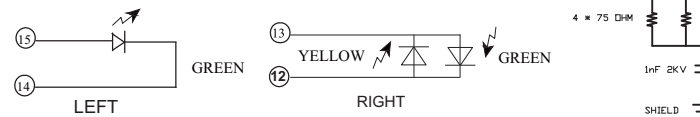


Electrical Specifications:(25°C)

2. Insertion Loss:
@ 1~100 MHz : -1.0 dB TYP
3. Return Loss:
@ 1~10MHz : -20 dB TYP
@ 30MHz : -16 dB TYP
@ 60~80MHz : -12 dB TYP
@ 80~100MHz : -10 dB TYP
4. Common Mode Rejection:
@ 1~125 MHz: -30 dB TYP
@ 125-500 MHz: -20 dB TYP
5. Crosstalk:
@ 1~10MHz : -40 dB TYP
@ 32~65MHz : -35 dB TYP
@ 65~100MHz : -30 dB TYP
6. OCL:
@ 100KHz, 0.1V , 8mADC : 350uH Min
7. Hi-Pot : 1200V AC, 1mA, 1Sec



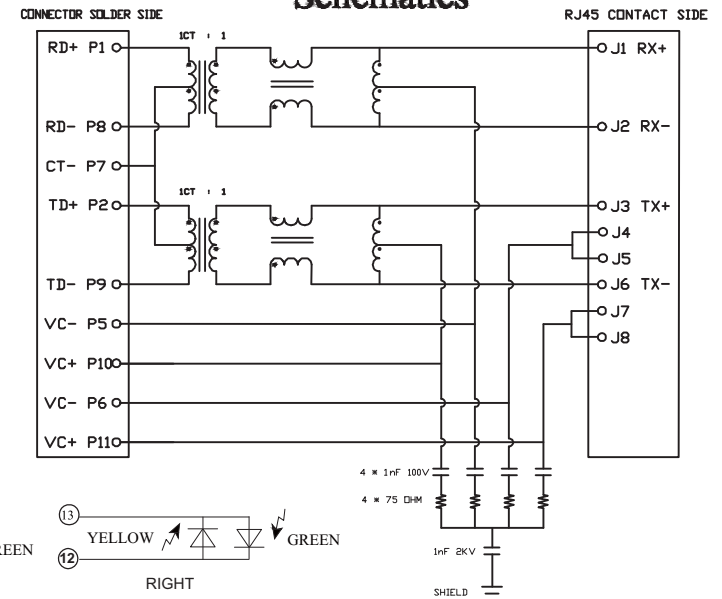
Recommended PCB Layout Component Side View



NOTES:

1. MATERIALS:
HOUSING: HIGH TEMPERATURE PBT UL94V-0 BLACK
CONTACTS: PHOSPHOR BORNZE, NICKEL UNDERPLATE ON ALL AREA, TIN ON TERMINATION END, HARD GOLD PLATED WITH 6u" ON CONTACT AREA.
SHIELD: BRASS WITH NICKEL PLATED.
 2. JACK CAVITY CONFORMS TO FCC RULES AND REGULATIONS PART 68, SUBPART F
- Electrical:**
 1.Voltage Rating:125 Vac Rms.
 2.Current Rating:1.5 Amp.
 3.Contact Resistance:40 Milliohms Max.
 4.Insulation Resistance:1000 Megohms Min @500 Vdc.
 5.Dielectric Strength:1000 Vac Rms 60Hz, 1Min.
- Mechanical:**
 1.Operating:750 Cycles Min.
- Environmental:**
 1.Storage:-40°C To +85°C.
 2.Operation:-20°C To +75°C.
- Mates With Modular Plug Conforming To FCC Part 68, Subpart F.

Schematics



RoHS Compliant

TOLERANCES ARE

MORETHANALL
PCB CONNECTORS
Cable ASSEMBLIES

DRAWING BY CY X. ± 0.50
X ± 0.38
CHECKED BY GENIUS .XX ± 0.25
UNIT / mm SCALE 1 : 1 .XXX ± 0.10
DATE ANG ±

照片框

煜倫股份有限公司

www.morethanall.com

SIZE A4 PPROJECTION

ORDER INFORMATION

MJF13T009UL-KF06A31GXGY-0808

SERIES 8P8C
LEFT / RIGHT
BLACK GREEN, X / GREEN, YELLOW
FRONT TAB 3.18mm
FULL SPRING 06u" GOLD

DESCRIPTION: