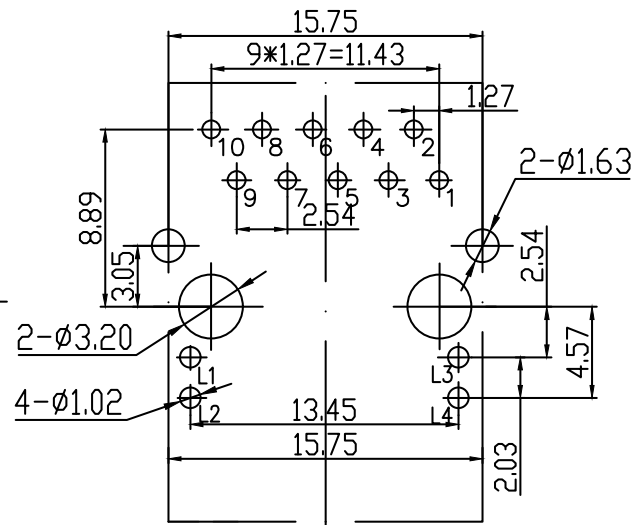
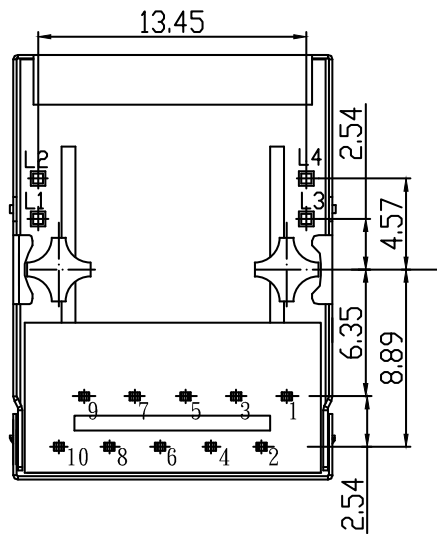


MECHANICAL:

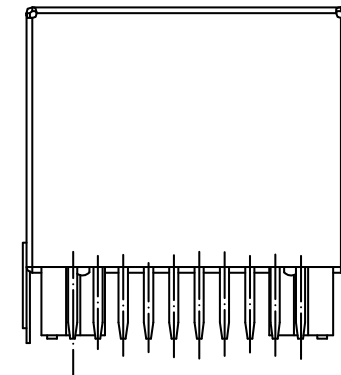
1. INSERT MATERIAL: PBT UL94V-0.
2. CONTACT MATERIAL: C5191 (QSn6.5-0.1)
PHOSPHOR BRONZE T=0.35mm.
3. PLATING: 1. CONTACT AREA-SELECTIVE GOLD PLATING.
:2. TAILS PLATING TIN OVER NICKEL.
4. SHIELD: 0.20mm THICKNESS H65Y BRASS NICKEL PLATED.
5. MATING FORCE: 2.2KG. F MAX.
6. OPERATING LIFE: 750 CYCLES MIN.

ENVIRONMENTAL:

1. STORAGE: -40°C ~ +85°C RELATIVE HUMIDITY < 70%.
2. OPERATION: -40°C ~ +85°C.



PC Board Layout



RoHS Compliant

TOLERANCES ARE

MORETHANALL
PCB CONNECTORS
Cable ASSEMBLIES

DRAWING BY CY

CHECKED BY GENIUS

UNIT / mm SCALE 1:1

DATE

SIZE A4

X, ±
.X ± 0.25
.XX ± 0.15
.XXX ± 0.05
ANG ±

PJECTION

照片框

ORDER INFORMATION

MJF13T001UL-KX06B3GYGY24-0808

SERIES

8P8C

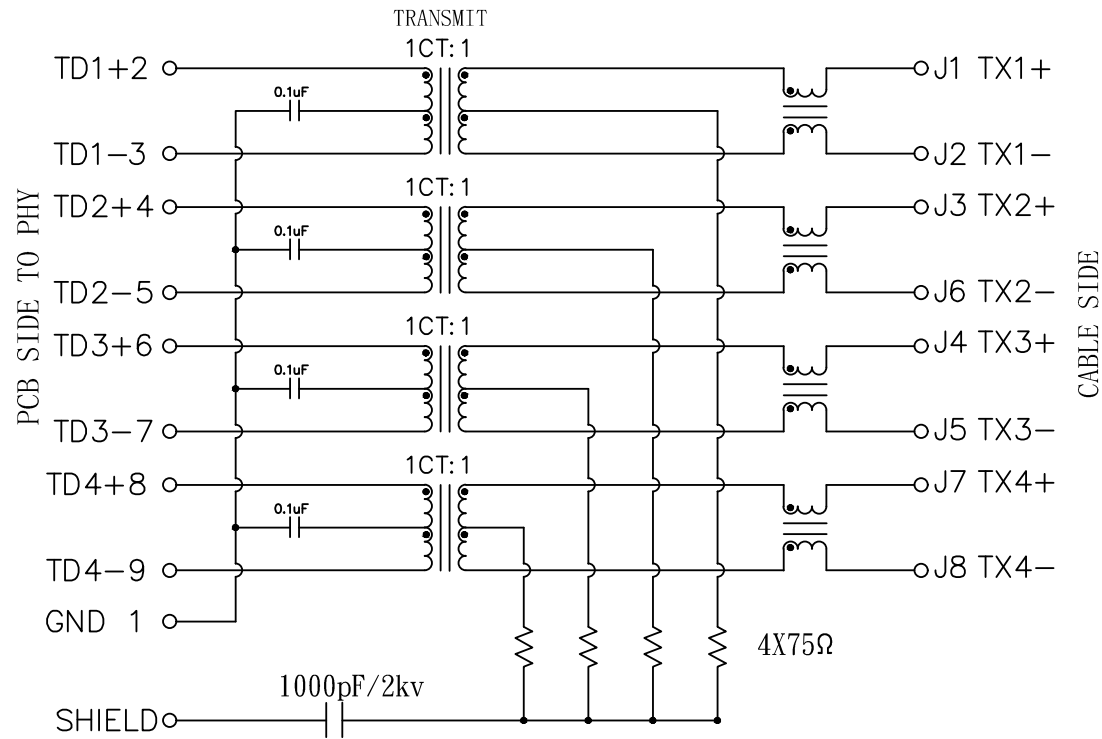
LED L / LED R
GREEN, YELLOW / GREEN, YELLOW
REAR TAB 3.05mm

BLACK 06u" GOLD
NON EAR

煜倫股份有限公司

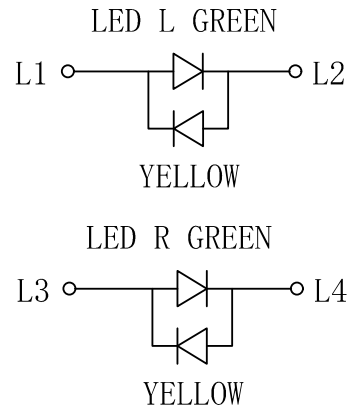
www.morethanall.com

DESCRIPTION: TAB UP 1000BASE 綠黃綠黃



Electrical:

1. Turn ratio: 2~3: J1~J2=1CT:1CT (±2%).
4~5: J3~J6=1CT:1CT (±2%).
6~7: J4~J5=1CT:1CT (±2%).
8~9: J7~J8=1CT:1CT (±2%).
2. OCL: 350uH Min. at 100KHz 100mV 8mA DC.
3. Insertion Loss: -1.0 dB Max 1~100MHz.
4. Return loss: -18dB Min 1~30MHz;
-14dB Min 30~60MHz;
-12dB Min 60~80MHz;
-10dB Min 80~100MHz.
5. Cross talk: -40dB Min 1~30MHz;
-35dB Min 30~60MHz;
-30dB Min 60~100MHz;
6. CMR: -30dB Min 1~100MHz;
7. Hi-Pot: 1500V AC & 2250V DC
6S 1mA PRI TO SEC



LED Specification

Standard LED Color	LED Wavelength	Foward(A)	Foward(V)
Green	568nm	20mA	1.85-2.45V
YELLOW	620nm	20mA	1.7-2.2V

RoHS Compliant

TOLERANCES ARE

MORETHANALL
PCB CONNECTORS
Cable ASSEMBLIES

DRAWING BY CY

CHECKED BY GENIUS

UNIT / mm

SCALE 1 : 1

DATE

SIZE A4

PJECTION

X, ±
.X ± 0.25
.XX ± 0.15
.XXX ± 0.05
ANG ±

照片框

ORDER INFORMATION

MJF13T001UL-KX06B3GYGY24-0808

SERIES

8P8C

LED L / LED R
GREEN, YELLOW / GREEN, YELLOW
REAR TAB 3.05mm

BLACK 06u" GOLD
NON EAR

煜倫股份有限公司

www.morethanall.com

DESCRIPTION: TAB UP 1000BASE 綠黃綠黃