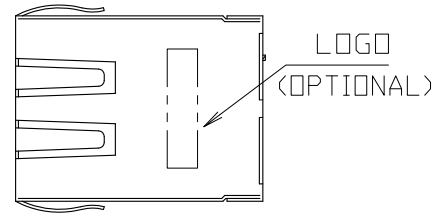
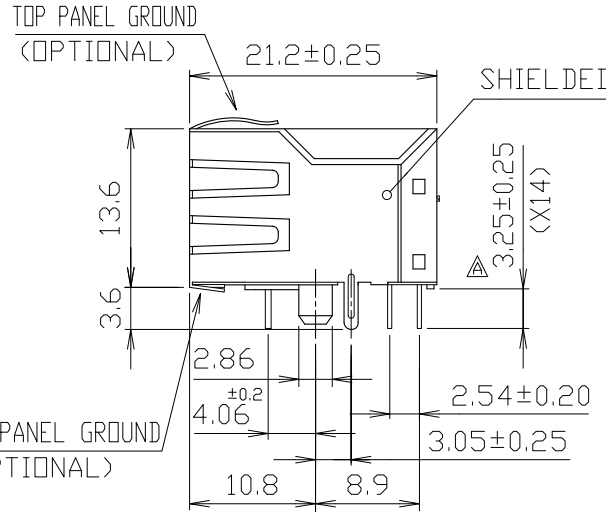
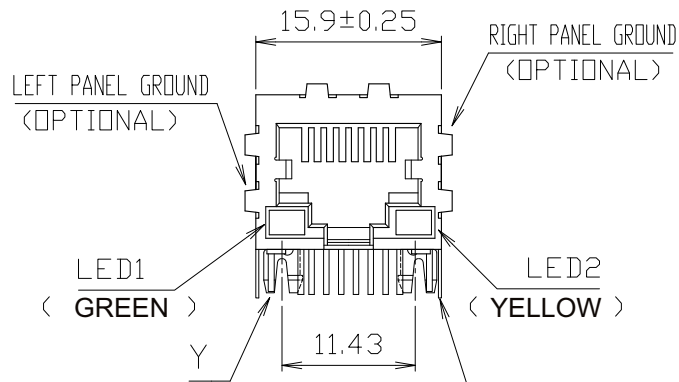


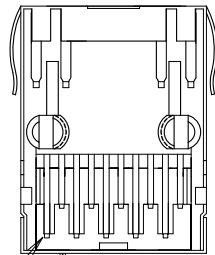
SHELL LEGS
TIN PLATED(X5)
(OPTIONAL)



LOGO
(OPTIONAL)



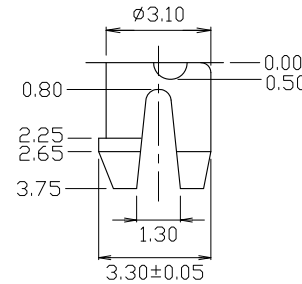
SHELL LEGS
TIN PLATED(X2)
(OPTIONAL)



PIN 1

GROUNDING

REVISIONS			
LTR	DESCRIPTION	DATE	APP
△	3.40±0.25	05/29/04	CHANG
△	CAR 0.25	MAY/20/11	CHANG

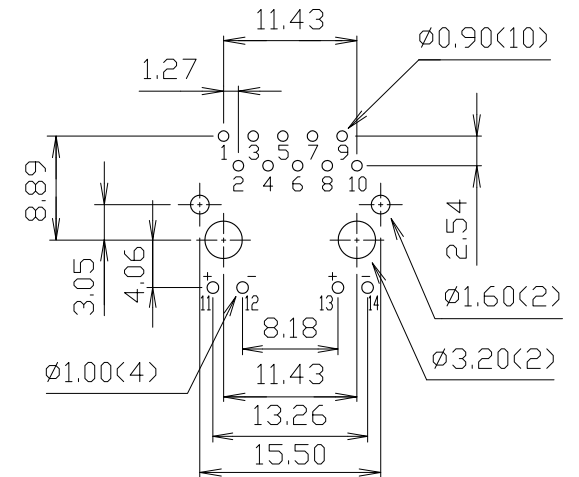


DETAIL Y

MATERIALS:

- HOUSING-PBT POLYESTER UL94V-0 MIXED GLASS FIBER. STANDARD COLOR-BLACK.
- CONTACTS-0.35mm THICK PHOS-BRONZE PLATED WITH HARD GOLD AND GOLD FLASH IN SOLDER AREA.
- △ • SHIELD-0.20mm THICK COPPER ALLOY, PLATED WITH NICKEL.

CAVITY CONFIRMS TO FCC RULES AND REGULATIONS PART 68,SUBPART F.



PC Board Layout Ref.

RoHS Compliant

TOLERANCES ARE

MORETHANALL
PCB CONNECTORS
Cable ASSEMBLIES

煜倫股份有限公司

www.morethanall.com

DRAWING BY CY

CHECKED BY GENIUS

UNIT / mm SCALE 1 : 1

DATE

SIZE A4

X, ±
.X ± 0.25
.XX ± 0.13
.XXX ± 0.05
ANG ±

P PROJECTION

照片框

ORDER INFORMATION

MJF13T001L-KF30B3GY-0808

SERIES

REAR TAB 3.05mm 8P8C

30u" GOLD
FULL SPRING
BLACK

LED1 LED2
GY:GREEN / YELLOW

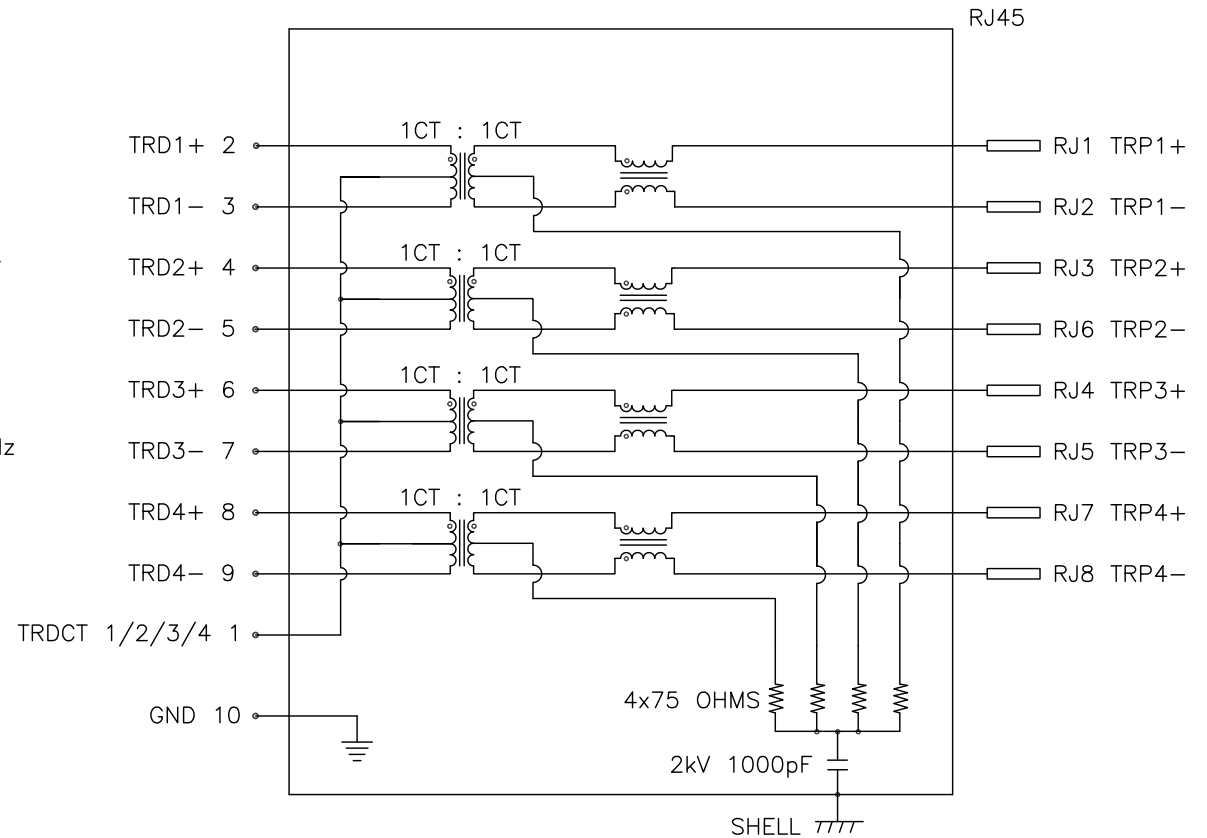
DESCRIPTION: SINGLE PORT, RJ45, SHIELDED, WITH LED WITH TRANSFORMER, SIDE ENTRY PCB JACK

TRANSFORMER TYPE H

ELECTRICAL CHARACTERISTICS

TEST NOTES: (25°±5°C)

1. TURNS RATIO:
1CT:1CT ± 3%
2. OCL @100kHz/100mVRMS 8mA DC BIAS 350uH MINIMUM.
3. INSERTION LOSS:
-1.1dB MAXIMUM AT 100KHz TO 100MHz
4. RETURN LOSS:
-18dB MINIMUM AT 1MHz TO 30MHz
-12+20LOG(f/80MHz)dB MINIMUM AT 30MHz TO 80MHz
5. CROSS TALK:
-35dB MINIMUM AT 1MHz TO 60MHz
-25dB MINIMUM AT 60MHz TO 100MHz
6. COMMON TO COMMON MODE REJECTION:
-30dB MINIMUM AT 1MHz TO 100MHz
7. COMMON TO DIFFERENTIAL MODE REJECTION:
-30dB MINIMUM AT 100kHz TO 100MHz



CONNECTOR SCHEMATIC

RoHS Compliant

TOLERANCES ARE

MORETHANALL
PCB CONNECTORS
Cable ASSEMBLIES

DRAWING BY CY

X, ±

CHECKED BY GENIUS

.X ± 0.25

UNIT / mm

SCALE 1 : 1

.XX ± 0.13

.XXX ± 0.05

DATE

ANG ±

照片框

ORDER INFORMATION

MJF13T001L-KF30B3GY-0808

SERIES

REAR TAB 3.05mm 8P8C

30u" GOLD

FULL SPRING

BLACK

LED1 LED2
GY:GREEN / YELLOW

煜倫股份有限公司

www.morethanall.com

SIZE A4

PJECTION

DESCRIPTION: TRANSFORMER SPECIFICATION TYPE H