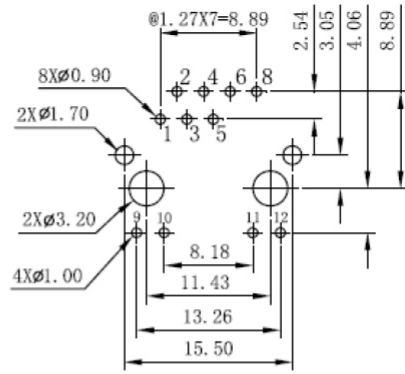
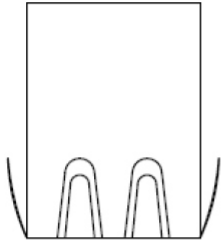
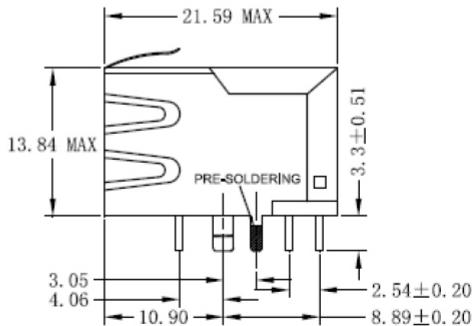
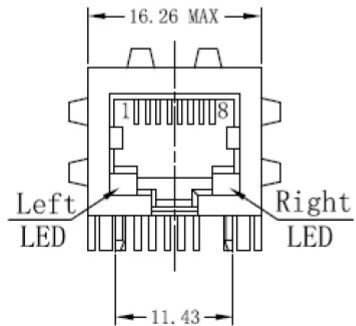


一、Mechanical Dimensions

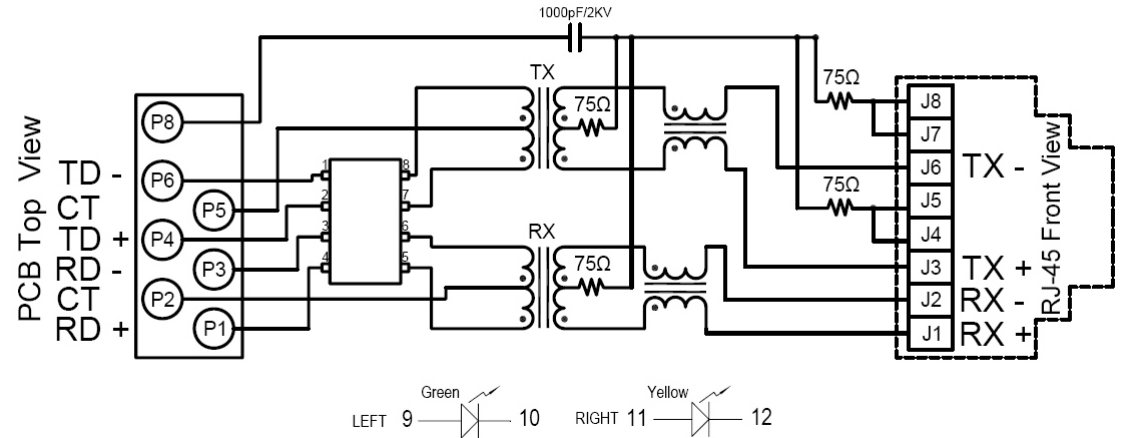


PC Board Layout
Component Side Shown



UNIT:mm Unless otherwise specified, all tolerances are ± 0.25

二、Schematics



三、ELECTRICAL SPECIFICATIONS@25°C:

1. Turn Ratio($\pm 3\%$): 1CT:1CT
2. Inductance(100KHz/0.1V@8mA):350uH MIN
3. Cw/w(100KHz/0.1V):27pF TYP
4. Insertion Loss (dB **TYP**):-1.0dB(0.3-100MHz)
5. Return Loss (dB MIN): -18dB(30MHz),-12dB(80MHz)
6. HI-POT(Pri to Sec):1500Vrms/0.5mA/60Sec or 1650Vrms/0.5mA/2Sec
7. Operating Temperature:-40°C TO +85°C
8. RoHS compliance:YES

RoHS Compliant

MORETHANALL
CONNECTORS
ASSEMBLIES

PART NO. MJF13S25L-KF06B3GY-0808

DWG NO. MJF13S25L-KF06B3GY-0808

FILE NO.

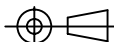
UNIT / mm

SCALE 1:1

CHECKED BY CY

DRAWING BY

PROJECTION



TOLERANCES ARE

.X \pm 0.2
.XX \pm
.XXX \pm
AWG

DESCRIPTION:

AREA

REVISIONS

HK

DATE

煜倫股份有限公司