

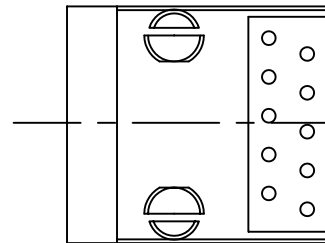
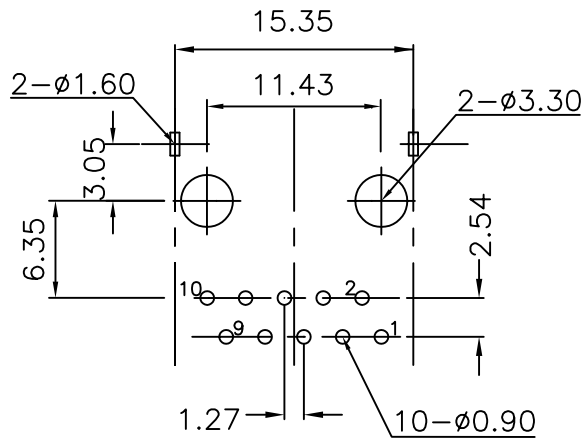
SPECIFICATIONS

MATERIAL:

1. Housing : PBT Polyester UL94V0
2. Color : Black
3. Contacts : 0.45mm Diameter Phos-Bronze Plated With Hard Gold
4. Shield : 0.20mm Thickness Copper Alloy With Nickel Plated

ELECTRICAL:

1. Current Rating : 1.5 AMP MAX
2. Voltage Rating : 150 VAC MAX
3. Contact Resistance : 30 milliohms MAX, initial
4. Insulation Resistance : 500 Megohms MIN
5. Dielectric Withstanding Voltage : 1000 VAC, 1min



PCB LAYOUT/TOP VIEW

RoHS Compliant

TOLERANCES ARE

MORETHANALL
PCB CONNECTORS
Cable ASSEMBLIES

煜倫股份有限公司

www.morethanall.com

DRAWING BY CY

CHECKED BY GENIUS

UNIT / mm SCALE 1 : 1

DATE

SIZE A4

X. ±
.X ±
.XX ±
.XXX ±
ANG ±

PJECTION

照片框

ORDER INFORMATION

MJF13S-KXxxA3-1010-LF

SERIES	FRONT TAB 3.05mm	LEADFREE
BLACK	06:06u" GOLD	10P10C
NON EAR	15:15u" GOLD	
	30:30u" GOLD	

DESCRIPTION: 10P Side Entry Shielded Modular Jack