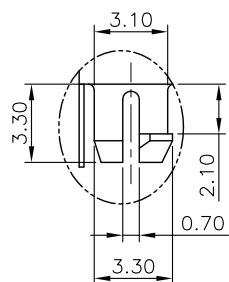
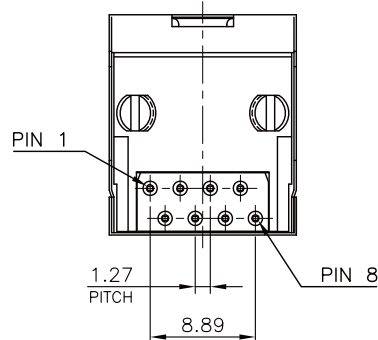


RECOMMENDED PCB LAYOUT
PCB THICKNESS: 1.6mm
TOLERANCE: ±0.05mm (TOP VIEW)



DETAIL Z
SCALE 2:1



NOTE:

CAVITY CONFIRMS TO FCC RULES AND REGULATIONS PART 68, SUBPART F.

1. MATERIAL:

- 1.1 HOUSING: PBT, WITH GLASS FIBER, UL94V-0, STANDARD COLOR-BLACK.
- 1.2 INSERT HOUSING: PBT, WITH GLASS FIBER, UL94V-0, STANDARD COLOR-BLACK.
- 1.3 CONTACTS: PHOSPHOR BRONZE.
- 1.4 SHELL: BRASS.

2. FINISH:

- 2.1 CONTACTS: GOLD PLATED ON CONTACT AREA, GOLD FLASH ON SOLDER TAIL, 1.27μm [50μ"] MIN. NICKEL UNDERPLATED OVERALL.
- 2.2 SHELL: 0.508μm [20μ"] MIN. NICKEL PLATED.

RoHS Compliant

TOLERANCES ARE

MORETHANALL
PCB CONNECTORS
Cable ASSEMBLIES

煜倫股份有限公司

www.morethanall.com

DRAWING BY CY

CHECKED BY GENIUS

UNIT / mm

SCALE 1:1

DATE

SIZE A4

PJECTION

X, ±
.X ± 0.25
.XX ± 0.13
.XXX ± 0.05
ANG ±

照片框

ORDER INFORMATION

MJF13S-KX06A3T3-0808-LF

SERIES | THICK 0.35mm
FRONT TAB 3.05mm
NON EAR
BLACK | 06u" GOLD
8P8C | LEADFREE

DESCRIPTION: 8POSITION, FLAT PIN, WITH SHELL, SIDE ENTRY PCB JACK