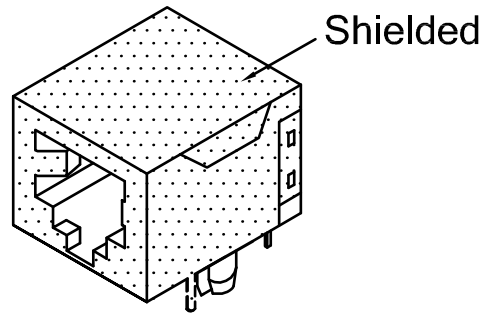
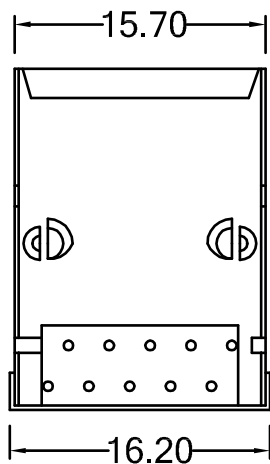


PCB LAYOUT / TOP VIEW / F3.05



Position	Contact	A
6P	2C/4C/6C	9.90
8P	4C/6C/8C	11.95
10P	10C	11.95

UNIT: m / m TOL.: +/- 0.15

MATERIAL & FINISH

Housing & Insert: PBT or Nylon 9T, UL94V-0
 Contact: 0.35 x 0.42 mm phosphor bronze,
 Gold plated over nickel on contact area,
 Tin plated over nickel on solder area.
 Shield: 0.25 mm bronze nickel plated.

ELECTRICAL

Voltage Rating: 125 V
 Current Rating: 1.5 A
 Contact Resistance: 30 milliohms max.
 Insulation Resistance: 500 megaohms min.
 Dielectric Withstanding Voltage: 1000 V

RoHS Compliant

TOLERANCES ARE

MORETHANALL
 PCB CONNECTORS
 Cable ASSEMBLIES

煜倫股份有限公司

www.morethanall.com

DRAWING BY CY

CHECKED BY GENIUS

UNIT / mm SCALE 1 : 1

DATE

SIZE A4

X, ±
 .X ±
 .XX ±
 .XXX ±
 ANG ±

P PROJECTION

照片框

ORDER INFORMATION

MJF13S-KX06A3-xyyy-LF

SERIES

BLACK
 NON EAR

LEADFREE

06yy:6P2C.6P4C.6P6C
 08yy:8P4C.8P6C.8P8C
 1010:10P10C

FRONT TAB 3.05mm
 06u" GOLD

DESCRIPTION: