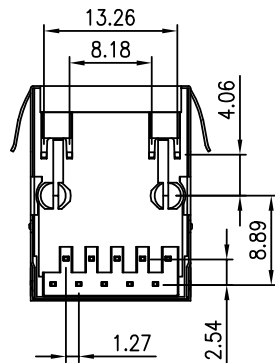
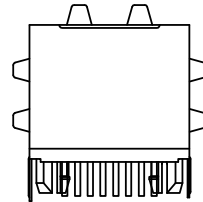
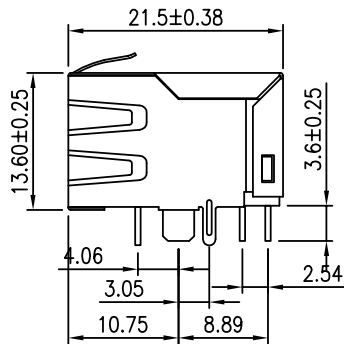
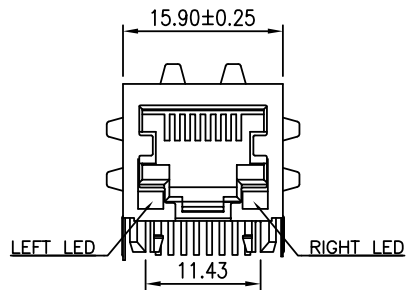


PCB Layout



NOTE:

1. Shielded – 0.20mm THICKNESS BRASS C2680 H. PLATING NICKEL 20u”Min.
2. Housing– Standard Material Nylon66, Glass Filled Polyester UL94V-0 Standard Color Black.
3. RJ Terminal– Plastic: Nylon66, UL94V-0, Standard Color Black. Pin: 0.35mm Thickness Phos–Bronze C5210 EH. Plating: Nickel 40u”~60u” for all and Sn 100% , and Gold Plating.
4. Input Terminal– Nylon66, Glass Filled, UL94V-0, Standard Color Black. Pin: 0.35mm SUS430. Plating: Nickel 40u”~60u” for all and Sn 100%.

RoHS Compliant

TOLERANCES ARE

MORETHANALL
PCB CONNECTORS
Cable ASSEMBLIES

DRAWING BY CY

X, ± .X ± 0.38

CHECKED BY GENIUS

.XX ± 0.20

UNIT / mm

SCALE 1 : 1

.XXX ± 0.10

DATE

ANG ±

照片框

ORDER INFORMATION

MJF13Q110L-KF06B3GXGY-0808-LF

SERIES

BLACK

REAR TAB

06u" GOLD

FULL SPRING

8P8C

GREEN.X / GREEN / YELLOW

REAR TAB 3.05mm

LEADFREE

煜倫股份有限公司

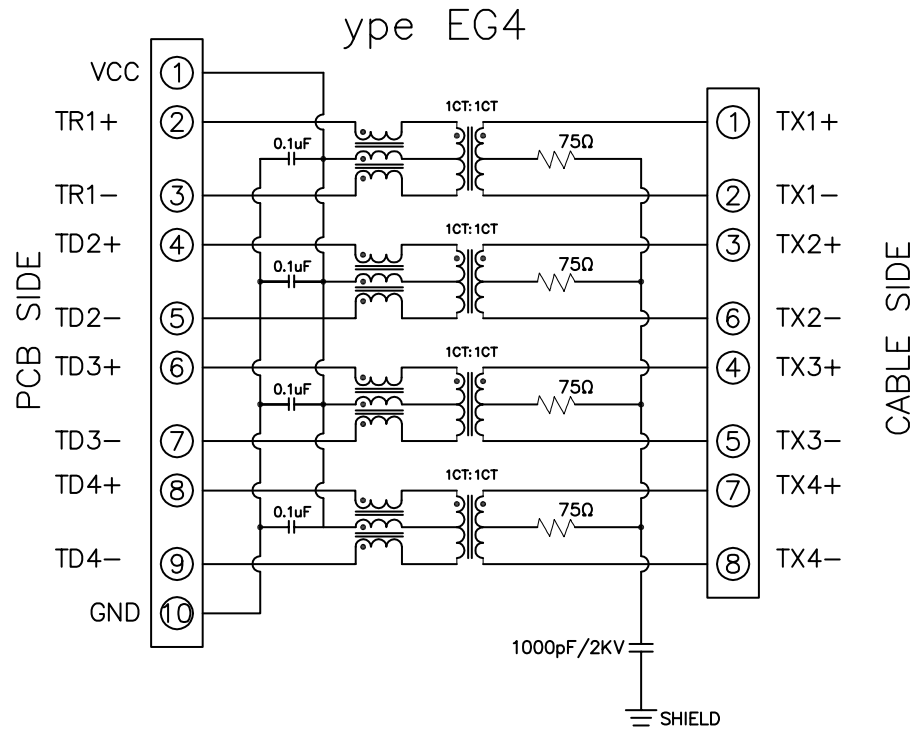
www.morethanall.com

SIZE A4

P PROJECTION

DESCRIPTION: RJ45 1X1 TAB-DOWN 2.5G

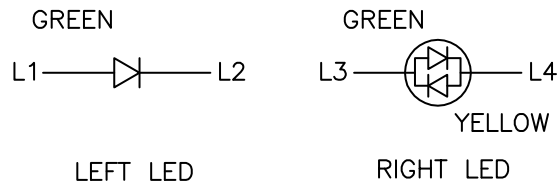
Schematic:



ELECTRICAL CHARACTERISTICS AT +25°C UNLESS OTHER SPECIFIED
MEETS IEEE 802.3 SPECIFICATION

PARAMETER	SPECIFICATIONS	
OPERATING TEMPERATURE	0°C TO +70°C	
TURNS RATIO	1.00 ± 2%	
POLARITY	PER SCHEMATIC	
INSERTION LOSS (SDD21&SDD12)	1-50MHz	50-125MHz
	-0.5 dB MAX	-1.0 dB MAX
PHY-SIDE RETURN LOSS (SDD11-Zref=100 OHMS ± 1%)	1-40MHz	40-200MHz
	-20 dB MIN	-20+15*LOG ₁₀ (f/40) dB MIN
LINE-SIDE RETURN LOSS (SDD22-Zref=100 OHMS ± 1%)	1-40MHz	40-200MHz
	-20 dB MIN	-20+15*LOG ₁₀ (f/40) dB MIN
INDUCTANCE (OCL)	120 uH MIN @ 100KHz, 100mV	
CROSSTALK, ADJACENT CHANNELS (SDD21-ADJ.)	1-125MHz	
	-30 dB MIN	
COMMON MODE REJECTION RATIO (SCC21)	30-200MHz -30 dB MIN	
COMM. TO DIFF REJECTION RATIO (SDC12)	10-125MHz	
	-45+f/35 dB MIN	
INPUT-OUTPUT ISOLATION	2250 VDC FOR 60 SECONDS	

NOTE: f IS FREQUENCY IN MHZ.



RoHS Compliant

TOLERANCES ARE

MORETHANALL
PCB CONNECTORS
Cable ASSEMBLIES

DRAWING BY CY

CHECKED BY GENIUS

UNIT / mm SCALE 1 : 1

DATE

SIZE A4

X, ±
.X ± 0.38
.XX ± 0.20
.XXX ± 0.10
ANG ±

PJECTION

照片框

ORDER INFORMATION

MJF13Q110L-KF06B3GXGY-0808-LF

SERIES

LEADFREE

8P8C

GREEN.X / GREEN / YELLOW

BLACK REAR TAB 3.05mm

06u" GOLD
FULL SPRING

煜倫股份有限公司

www.morethanall.com

DESCRIPTION: RJ45 1X1 TAB-DOWN 2.5G