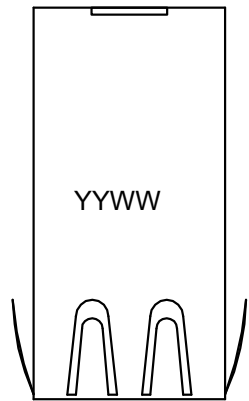
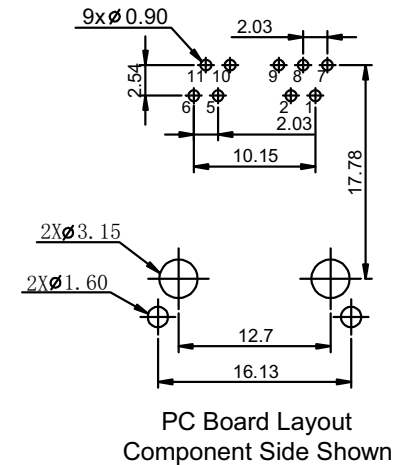
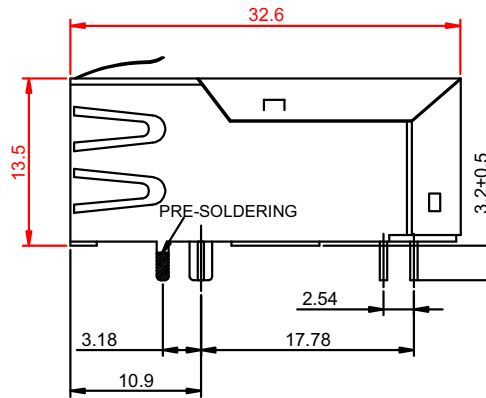
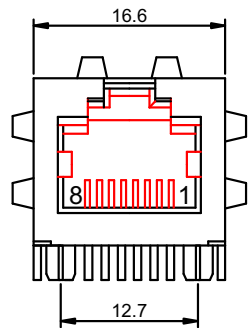


# 一、Mechanical Dimensions



YY:Year WW:Week



UNIT:mm Unless otherwise specified, all tolerances are  $\pm 0.25$

RoHS Compliant

TOLERANCES ARE

**MORETHANALL**  
PCB CONNECTORS  
Cable ASSEMBLIES

DRAWING BY CY

X.  $\pm$

CHECKED BY GENIUS

.X  $\pm$

UNIT / mm

SCALE 1 : 1

.XX  $\pm$

DATE

.XXX  $\pm$

ANG  $\pm$

SIZE A4

P PROJECTION

照片框

ORDER INFORMATION

MJF13P67U-KF50A31-0808-LF

SERIES

LEAD FREE

8P8C

FRONT TAB 3.18mm

50u" GOLD

FULL SPRING

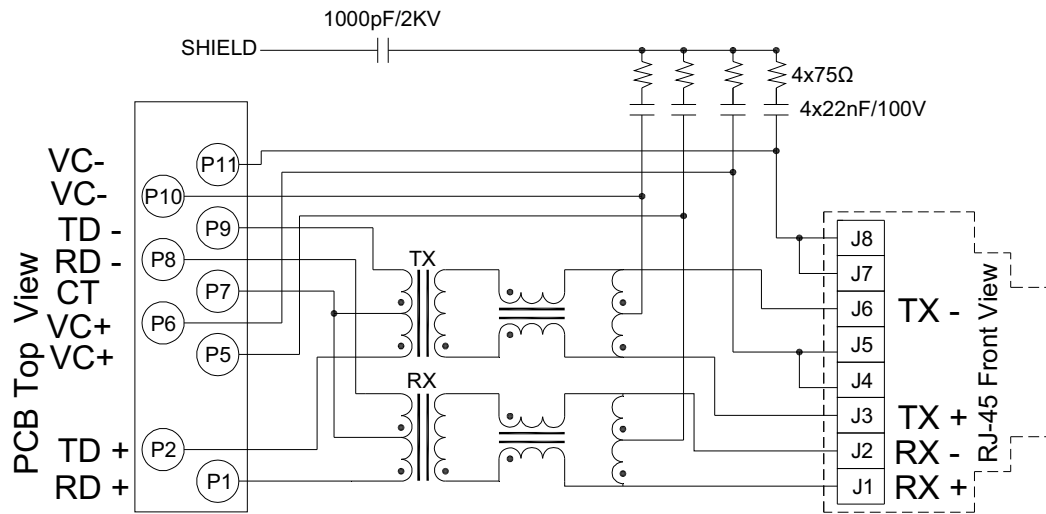
BLACK

煜倫股份有限公司

www.morethanall.com

DESCRIPTION:10/100 Base-T POE Single Port Rj45 Integrated Connector Modul

## 二、Schematics



## 三、ELECTRICAL SPECIFICATIONS@25 °C:

1. Turn Ratio( $\pm 2\%$ ): 1CT:1
2. Inductance(100KHz/0.1V@8mA) $\geq 350\mu\text{H}$  MIN
3. Insertion Loss(dB MAX): -1.5dB(0.1-100MHz)
4. Return Loss(dB MIN): -16dB(2-30MHz), -10dB(60-80MHz)
5. Cross talk(dB MIN): -30dB(0.1-100MHz)
6. HI-POT(Pri to Sec): 2250VDC
7. Operating Temperature: 0°C TO +70°C
8. POE applications current capability: 350mA
9. RoHS compliance: YES

RoHS Compliant

TOLERANCES ARE

**MORETHANALL**  
PCB CONNECTORS  
Cable ASSEMBLIES

DRAWING BY CY

X,  $\pm$

CHECKED BY GENIUS

.X,  $\pm$

UNIT / mm

SCALE 1:1

.XX,  $\pm$

DATE

.XXX,  $\pm$

ANG,  $\pm$

SIZE A4

P PROJECTION

照片框

ORDER INFORMATION

MJF13P67U-KF50A31-0808-LF

SERIES

LEAD FREE

8P8C

FRONT TAB 3.18mm

50 $\mu$ " GOLD

FULL SPRING

BLACK

煜倫股份有限公司

www.morethanall.com

DESCRIPTION: 10/100 Base-T POE Single Port Rj45 Integrated Connector Modul

## 四、Mechanicals

### Housing Material:

MATERIAL: NYLON 66 UL94V-0 STANDARD COLOR:BLACK

### Insert Material:

MATERIAL: QSn6.5-0.1---0.35mm Thickness

Insert -PBT GF UL94V-0

- 1.PLATING(1) NICKEL
- 2.PLATING(2) 100%Sn
- 3.PLATING(3) GOLD (6u " )

### plug into Housing Material:

PBT+30%GF UL 94V-0

### Contact pin Material:

MATERIAL: QSn6.5-0.1---0.35mm Thickness

- 1.PLATING(1) NICKEL
- 2.PLATING(2) 100%Sn

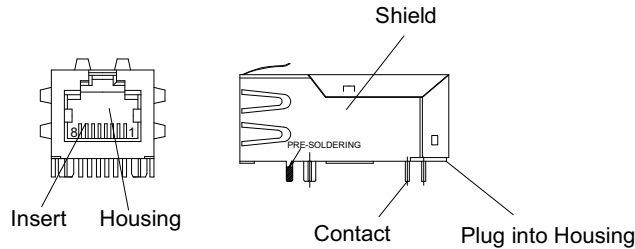
### Shielding Material:

BRASS H65Y PLATING NICKEL

Operating Life:750 Cycles MIN.

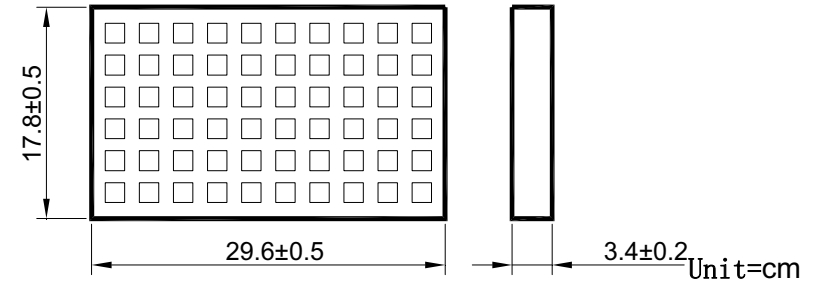
## 五、Environmental

- 1.Storage Temp:-40°C TO +85°C.
- 2.Operating Temp:0°C TO +70°C
3. MATES WITH MODULAR PLUG CONFORMING TO FCC PART 68,SUBPARTF.

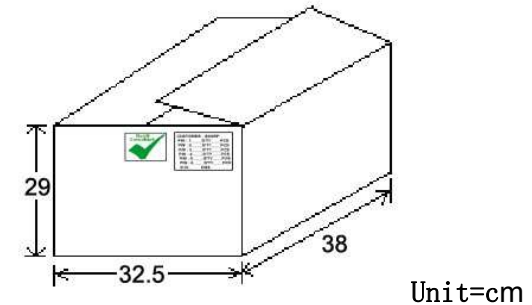


## 六、Packaging

1. packaging unit : 60 PCS/tray
2. packaging material : PET



3. outer carton unit : 840 pcs/ 14 Trays/box
4. Weight: 11.0kg percarton



RoHS Compliant

TOLERANCES ARE

**MORETHANALL**  
PCB CONNECTORS  
Cable ASSEMBLIES

DRAWING BY CY

X.±

CHECKED BY GENIUS

.X±

UNIT / mm

SCALE 1 : 1

.XX±

.XXX±

ANG ±

DATE

SIZE A4

PJECTION

照片框

ORDER INFORMATION

MJF13P67U-KF50A31-0808-LF

SERIES

LEAD FREE

8P8C

FRONT TAB 3.18mm

50u" GOLD

FULL SPRING

BLACK

DESCRIPTION:10/100 Base-T POE Single Port Rj45 Integrated Connector Modul

煜倫股份有限公司

www.morethanall.com