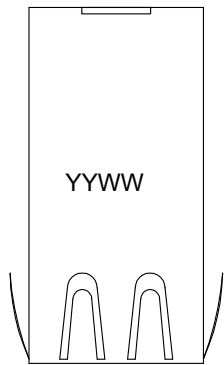
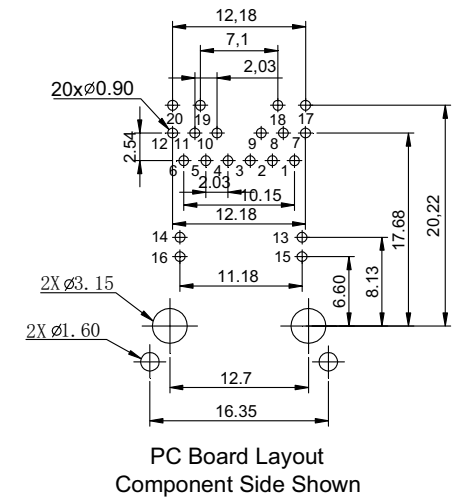
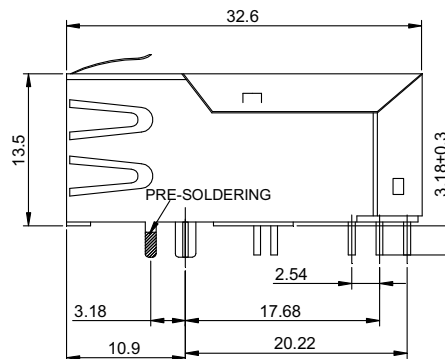
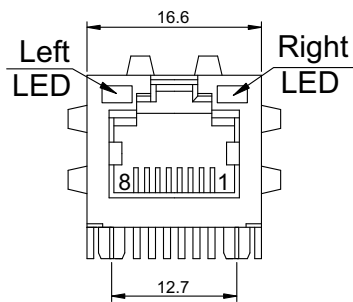


一、Mechanical Dimensions



YY:Year WW:Week



UNIT :mm Unless otherwise specified, all tolerances are ± 0.25

MORETHANALL
PCB CONNECTORS
Cable ASSEMBLIES

煜倫股份有限公司

www.morethanall.com

RoHS Compliant

DRAWING BY CY

CHECKED BY GENIUS

UNIT / mm SCALE 1 : 1

DATE

SIZE A4

TOLERANCES ARE

X. \pm
.X \pm
.XX \pm
.XXX \pm
ANG \pm

PJECTION

照片框

ORDER INFORMATION

MJF13P112UL-KF06A31YG-0808

SERIES

8P8C

LEFT LED / RIGHT LED

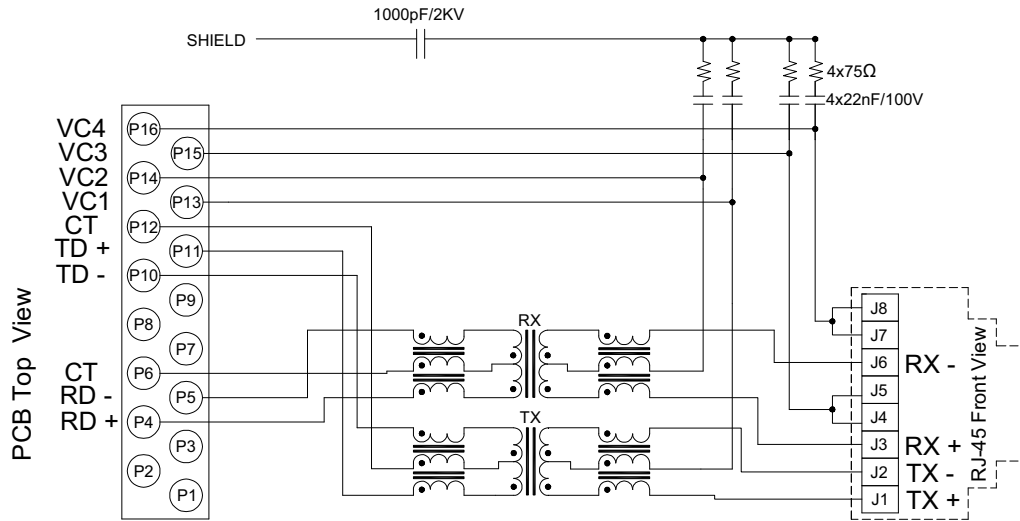
YELLOW GREEN

FRONT TAB 3.18mm

BLACK 06u" GOLD FULL SPRING

DESCRIPTION: 10/100 Base-TPOE+ Single Port Rj45 Integrated Connector Modul

二、Schematics



Standard LED	Wavelength	Forward*V(MAX)	TYP
Green	565nm	2.4v	2.2v
Yellow	590nm	2.5v	2.1v

With a forward current of 20mA

三、ELECTRICAL SPECIFICATIONS@25 °C:

1. Turn Ratio($\pm 3\%$): 1CT:1CT
2. Inductance(100KHz/0.1V@8mA):350uH MIN
3. Insertion Loss(dB MAX): -1.3dB(1-100MHz)
4. Return Loss(dB MIN):-16dB(1-30MHz), -12dB(60-80MHz), **-10dB** (80-100MHz)
5. Cross talk(dB MIN): -30dB(1-100MHz)
6. CMR(dB MIN): -30dB(1-100MHz), -20dB(100-500MHz)
7. HI-POT(Pri to Sec): 1500Vrms/0.5mA/60Sec or 1650Vrms/0.5mA/2Sec
8. Operating Temperature: -40°C TO +85°C
9. POE applications current capability: 720mA
10. RoHS compliance: YES

RoHS Compliant

TOLERANCES ARE

MORETHANALL
PCB CONNECTORS
Cable ASSEMBLIES

煜倫股份有限公司

www.morethanall.com

DRAWING BY CY

CHECKED BY GENIUS

UNIT / mm SCALE 1 : 1

DATE

SIZE A4

PJECTION

X. \pm
.X \pm
.XX \pm
.XXX \pm
ANG \pm

照片框

ORDER INFORMATION

MJF13P112UL-KF06A31YG-0808

SERIES

8P8C

LEFT LED / RIGHT LED

YELLOW GREEN

FRONT TAB 3.18mm

BLACK 06u" GOLD FULL SPRING

DESCRIPTION: 10/100 Base-TPOE+ Single Port Rj45 Integrated Connector Modul

四、Mechanicals

Housing Material:

MATERIAL: NYLON 66 UL94V-0 STANDARD COLOR:BLACK

Insert Material:

MATERIAL: QSn6.5-0.1---0.35mm Thickness

Insert -PBT GF UL94V-0

- 1.PLATING(1) NICKEL
- 2.PLATING(2) 100%Sn
- 3.PLATING(3) GOLD (6u ")

plug into Housing Material:

PBT+30%GF UL 94V-0

Contact pin Material:

MATERIAL: QSn6.5-0.1---0.35mm Thickness

- 1.PLATING(1) NICKEL
- 2.PLATING(2) 100%Sn

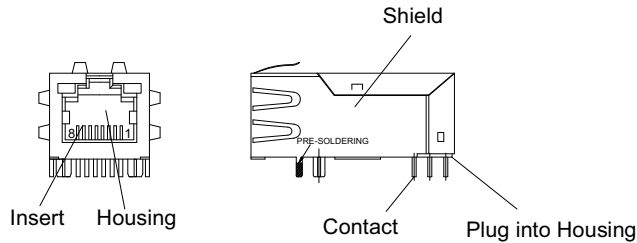
Shielding Material:

BRASS H65Y PLATING NICKEL

Operating Life:750 Cycles MIN.

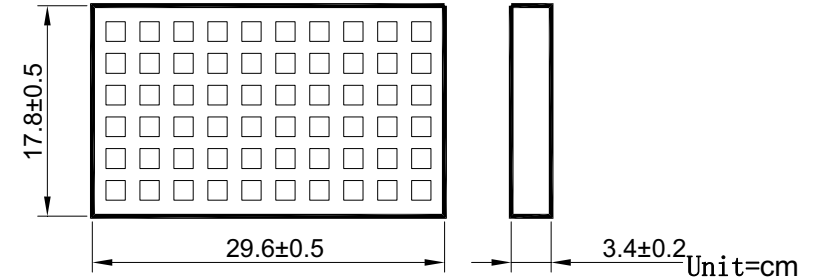
五、Environmental

- 1.Storage Temp:-40℃TO +85℃.
- 2.Operating Temp:-40℃TO +85℃.
3. MATES WITH MODULAR PLUG CONFORMING TO FCC PART 68,SUBPARTF.

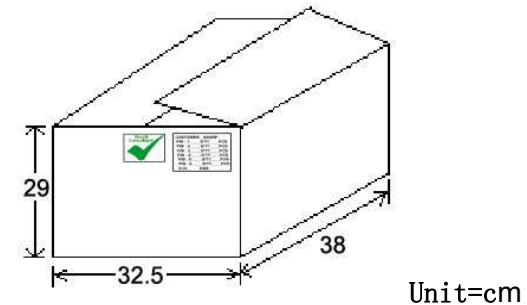


六、Packaging

1. packaging unit : 60 PCS/tray
2. packaging material : PET



3. outer carton unit : 840 pcs/ 14 Trays/box
4. Weight: 11.0kg per carton



MORETHANALL
PCB CONNECTORS
Cable ASSEMBLIES

煜倫股份有限公司

www.morethanall.com

RoHS Compliant

DRAWING BY CY

CHECKED BY GENIUS

UNIT/ mm SCALE 1:1

DATE

SIZE A4

TOLERANCES ARE

X. ±
.X ±
.XX ±
.XXX ±
ANG ±

P PROJECTION

照片框

ORDER INFORMATION

MJF13P112UL-KF06A31YG-0808

SERIES

8P8C
LEFT LED / RIGHT LED
YELLOW GREEN
FRONT TAB 3.18mm
BLACK 06u" GOLD FULL SPRING

DESCRIPTION:10/100 Base-TPOE+ Single Port Rj45 Integrated Connector Modul