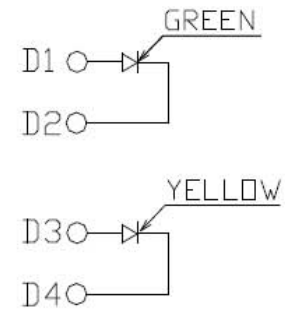
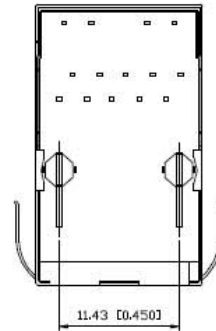


SUGGESTED PCB LAYOUT  
(TOP VIEW)



RoHS Compliant

TOLERANCES ARE

**MORETHANALL**  
PCB CONNECTORS  
Cable ASSEMBLIES

DRAWING BY CY

X, ±

CHECKED BY GENIUS

X, ±

UNIT / mm

SCALE 1 : 1

.XX ±

DATE

.XXX ±

ANG ±

照片框

ORDER INFORMATION

MJF13P45UL-KF06B3GY-0808

SERIES

BLACK

LED1 / LED2  
GREEN / YELLOW

8P8C

REAR TAB 3.05mm

06u" GOLD  
FULL SPRING

煜倫股份有限公司

www.morethanall.com

SIZE A4

PJECTION

DESCRIPTION:

## ELECTRICAL SPECIFICATIONS @ 25°C+/-5°C unless otherwise noted:

**Insertion Loss: 1-100MHZ -1.0dB MAX**

**Return Loss: 1-30MHZ -16.0dB MIN**

**30-60MHZ -14.0dB MIN**

**60-80MHZ -10.0dB MIN**

**Cross Talk: 1-30MHZ -40.0dB MIN**

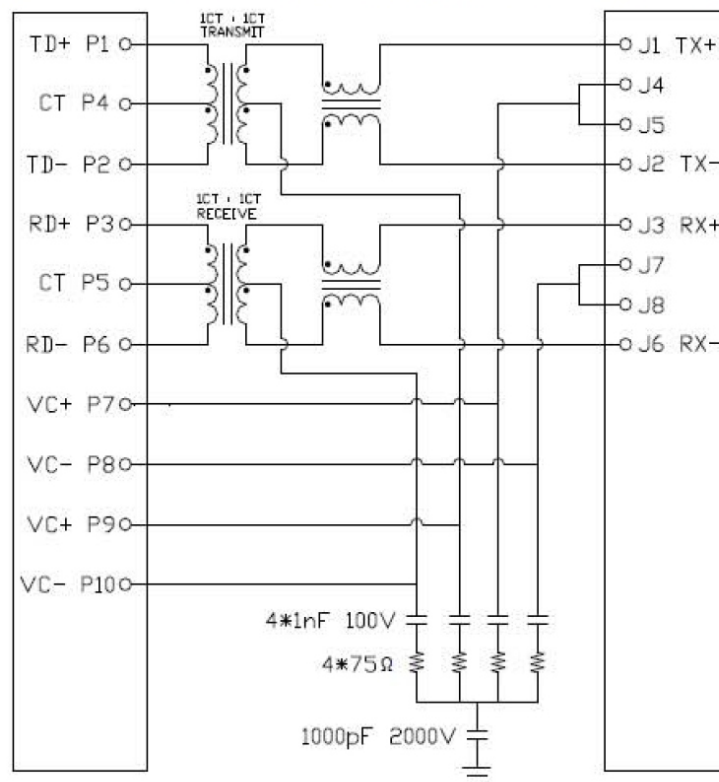
**30-60MHZ -35.0dB MIN**

**60-80MHZ -30.0dB MIN**

**CMR: 1-100MHZ -35.0dB MIN**

**Hi-Pot: 1500v AC 6S 1mA**

**OCL:350uH MIN @ 100KHZ 100mV 8mA DC**



**Contacts: 0.35mm thick phos bronze plated with 6u' gold in contact area**

**Turn Ratio: 1CT:1CT+/-3%**

**Operating temperature range:0°C to +70°C**

**Housing Material: PBT Black**

**RoHS Compliant**

TOLERANCES ARE

**MORETHANALL**  
PCB CONNECTORS  
Cable ASSEMBLIES  
**煜倫股份有限公司**

DRAWING BY CY

X.±

CHECKED BY GENIUS

.X±

UNIT / mm

SCALE 1:1

.XX±

DATE

.XXX±

ANG±

SIZE A4

P PROJECTION

照片框

**ORDER INFORMATION**

**MJF13P45UL-KF06B3GY-0808**

SERIES

BLACK

LED1 / LED2  
GREEN / YELLOW

8P8C

REAR TAB 3.05mm

06u" GOLD  
FULL SPRING

[www.morethanall.com](http://www.morethanall.com)

DESCRIPTION: