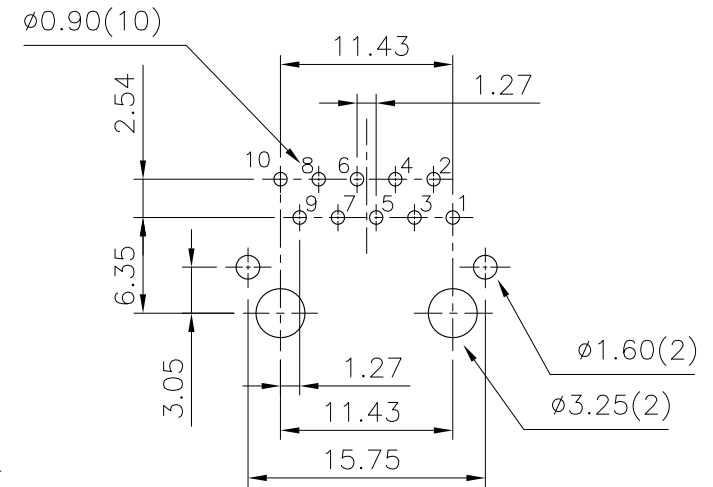
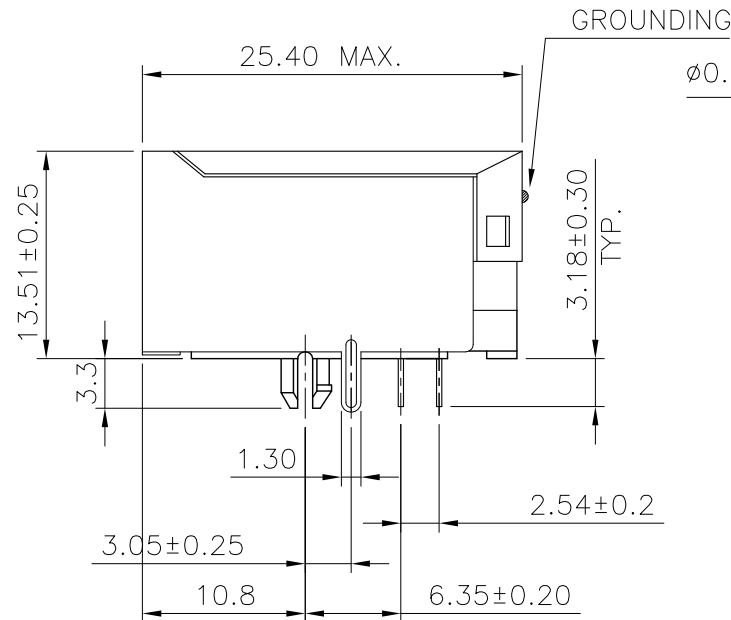
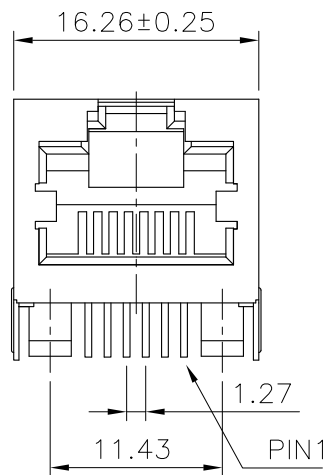


MATERIAL:

- HOUSING—PBT POLYESTER UL94V-0 MIXED GLASS FIBER. STANDARD COLOR—BLACK.
- CONTACTS—0.35mm THICK PHOS-BRONZE PLATED WITH HARD GOLD AND GOLD FLASH IN SOLDER AREA.
- SHIELD—0.20mm THICK COPPER ALLOY, PLATED WITH NICKEL.

CAVITY CONFIRMS TO FCC RULES AND REGULATIONS PART 68,SUBPART F.



PCB LAYOUT

Ref.

RoHS Compliant

TOLERANCES ARE

MORETHANALL
PCB CONNECTORS
Cable ASSEMBLIES

DRAWING BY CY

CHECKED BY GENIUS

UNIT / mm

SCALE 1 : 1

DATE

SIZE A4

X, ±
.X ± 0.30
.XX ± 0.20
.XXX ± 0.10
ANG ±

PJECTION

ORDER INFORMATION

MJF13P45U-KX06B3-0808

SERIES

8P8C

REAR TAB 3.05mm

06u" GOLD

NON EAR

BLACK

煜倫股份有限公司

www.morethanall.com

DESCRIPTION: SINGLE PORT, RJ45, WITHOUT LED DIP TYPE, SIDE ENTRY.

TRANSFORMER

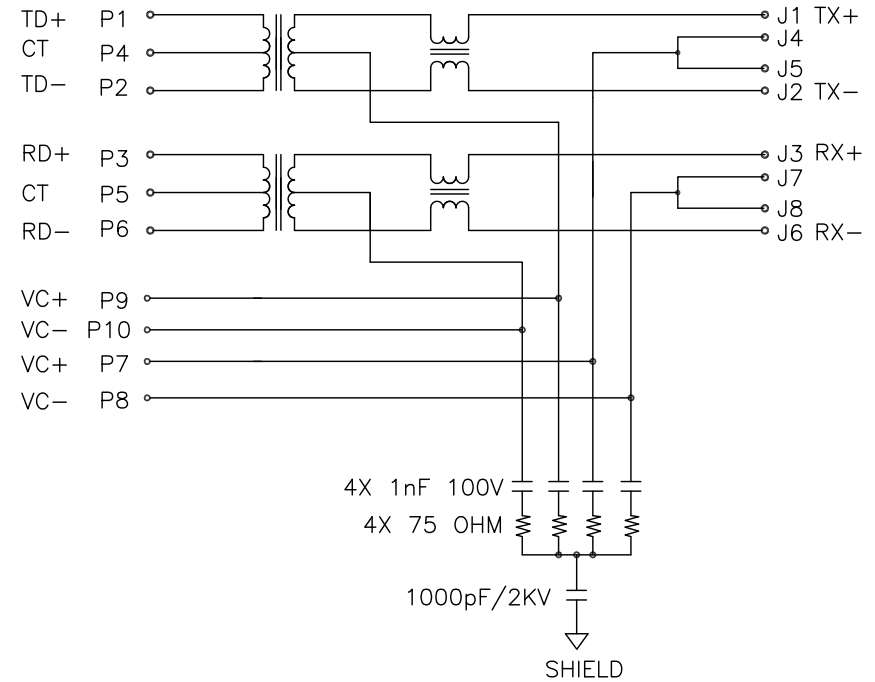
ELECTRICAL CHARACTERISTICS

TEST NOTES: (25°±5°C)

1. TR: (100KHz, 0.1V);
PINS:(P1-P2):(J1-J2)=1:1±3%
PINS:(P3-P6):(J3-J6)=1:1±3%
2. LX: (100KHz, 100mV, 8mA, DC Bias)
PINS: (P1,P2),(P3,P6)=350uH MINIMUM
3. DCR:
PINS: (J1,J2),(J3,J6)=1.2 OHMS MAXIMUM.
4. INSERTION LOSS:
-1.0dB MAXIMUM AT 0.3MHz TO 100MHz
5. RETURN LOSS:
-20dB MINIMUM AT 1MHz TO 30MHz
-15dB MINIMUM AT 30MHz TO 60MHz
-10dB MINIMUM AT 60MHz TO 80MHz
6. CROSS TALK:
-30dB MINIMUM AT 1MHz TO 100MHz
7. COMMON TO DIFFERENTIAL MODE REJECTION
-30dB MINIMUM AT 1MHz TO 100MHz

CONNECTOR SOLDER SIDE

CONTACT SIDE



CONNECTOR SCHEMATIC

RoHS Compliant

TOLERANCES ARE

MORETHANALL
PCB CONNECTORS
Cable ASSEMBLIES

煜倫股份有限公司

www.morethanall.com

DRAWING BY CY

CHECKED BY GENIUS

UNIT / mm

SCALE 1 : 1

DATE

SIZE A4

X, ±
.X ± 0.30
.XX ± 0.20
.XXX ± 0.10
ANG ±

PJECTION

ORDER INFORMATION

MJF13P45U-KX06B3-0808

SERIES

8P8C

REAR TAB 3.05mm

06u" GOLD

NON EAR
BLACK

DESCRIPTION: TRANSFORMER SPECIFICATION