

Single Port RJ45 Connector With 10/100 Base-T Magnetics Module

- ROHS Compliant(Pb Free)
- Meets or exceeds IEEE802.3 Standards including 350uH Min OCL with 8mADC
- High performance for EMI suppression,Crosstalk,Return Loss and Consistent Electrical
- Minimum 1500Vrms isolation per IEEE802.3 requirement
- Minimize PCB space and Simplify PCB Layout
- Less magnetic components to be placed on PCB,higher reliability and yields

Mechanical Dimensions:

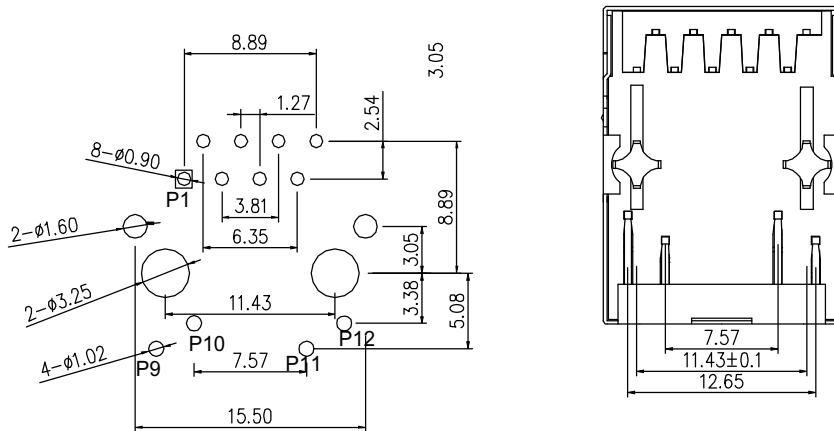
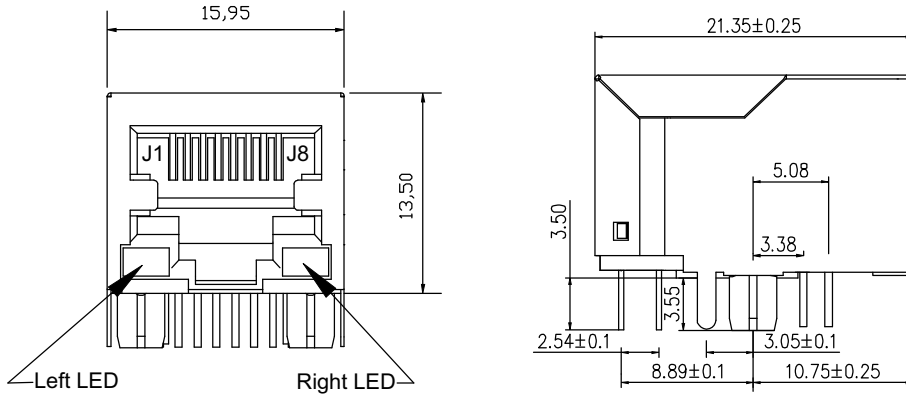
LED Specification				
Standard LED	Wavelength	Forward V (Min/Max)	Forward A	Type
Green	568nm	1.8V/2.8V	20mA	squareness
Yellow	585nm	1.8V/2.8V	20mA	squareness

1.Connector Material:

Housing:Thermoplastic UL94 V-0
Contact/Shield:Cooper alloy
Shield Plating:Nickel
Contact Plating:Selective gold 6u" Min

2.Tolerances comply with F.C.C dimension requirements

3.Durability:800 mating Min



P.C.B RECOMMENDED HOLE LAYOUT SEEN FROM COMPONENT SIDE.
ALL CENTERLINE DIMENSIONS ARE BASIC

RoHS Compliant

TOLERANCES ARE

MORETHANALL
PCB CONNECTORS
Cable ASSEMBLIES

DRAWING BY CY

X, ±
.X ±
.XX ± 0.25
.XXX ±
ANG ±

CHECKED BY GENIUS

UNIT / mm SCALE 1 : 1

DATE

SIZE A4

P PROJECTION

照片框

ORDER INFORMATION

MJF13P45L-KX06B3GY53-0808

SERIES

8P8C
LEFT / RIGHT
GREEN / YELLOW
REAR TAB 3.05mm
06u" GOLD
NON EAR

BLACK

DESCRIPTION:

煜倫股份有限公司

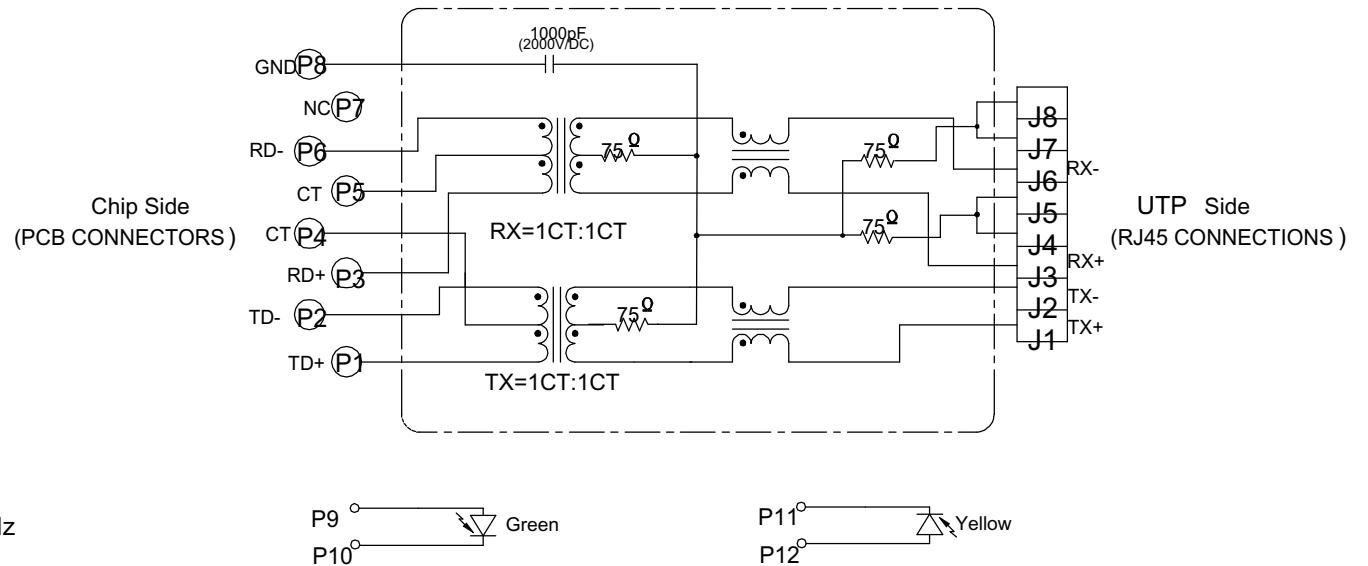
www.morethanall.com

Single Port RJ45 Connector
With 10/100 Base-T Magnetics Module

Electrical Specifications @25°C/65%RH

1. Isolation Voltage: 1500V/AC(Chip Side to UTP Side)
2. OCL: 350uH Minimum @100KHz 100mV with 8mA DC
3. Insertion Loss: -1.1dB Maximum @100KHz-100MHz
4. Return Loss: -18dB Minimum @1MHz-30MHz
-14dB Minimum @30MHz-60MHz
-12dB Minimum @60MHz-80MHz
5. Common Mode Rejection: -40dB Minimum @1MHz-30MHz
-35dB Minimum @30MHz-60MHz
-30dB Minimum @60MHz-100MHz
6. Cross Talk: -40dB Minimum @1MHz-30MHz
-35dB Minimum @30MHz-60MHz
-30dB Minimum @60MHz-80MHz

Schematics:



RoHS Compliant		TOLERANCES ARE		照片框	ORDER INFORMATION			
 煜倫股份有限公司 www.morethanall.com		DRAWING BY CY			MJJF13P45L-KX06B3GY53-0808		SERIES	
		CHECKED BY GENIUS			LEFT / RIGHT		GREEN / YELLOW	
UNIT / mm	SCALE 1 : 1	.XXX ±			REAR TAB 3.05mm		06u" GOLD	
DATE		ANG ±			NON EAR			
SIZE A4	P PROJECTION				DESCRIPTION:			