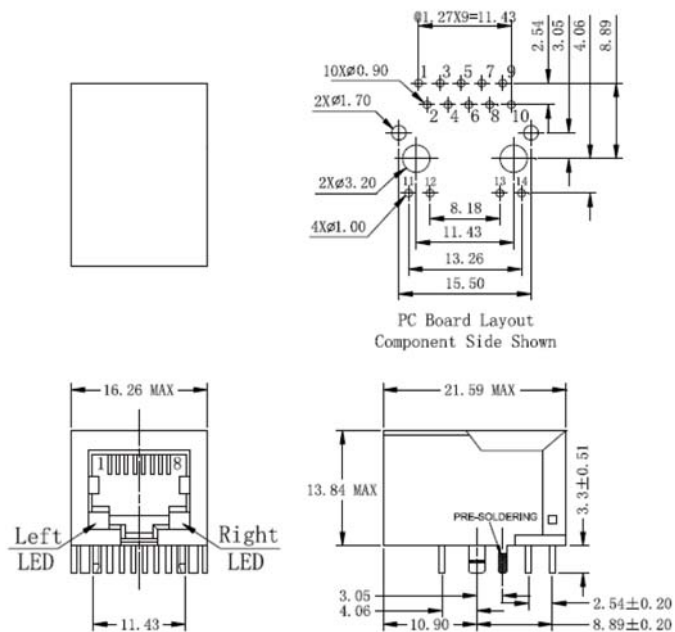
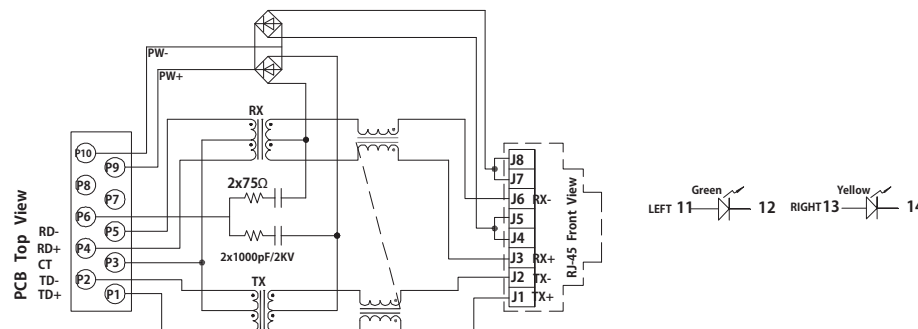


一、Mechanical Dimensions



UNIT:mm Unless otherwise specified,all tolerances are ±0.25

二、Schematics



Standard LED	Wavelength	Forward*V(MAX)	TYP
Green	565nm	2.5v	2.2v
Yellow	585nm	2.5v	2.1v

With a forward current of 20mA

三、ELECTRICAL SPECIFICATIONS@25°C:

1. Turn Ratio(±3%): 1CT:1CT
2. Inductance(100KHz/0.1V@8mA)≥50uH MIN
3. Insertion Loss (dB MAX):-1.0dB(1-100MHz)
4. Return Loss (dB MIN): -18dB(1-30MHz),-16dB(30-60MHz),-12dB(60-80MHz)
5. Cross talk(dB MIN): -30dB(1-100MHz)
6. CMR (dB MIN): -30dB(1-100MHz)
7. HI-POT(Pri to Sec): 1500Vrms
8. Operating Temperature:-40°C TO +85 °C
9. POE applications current capability:350mA
10. RoHS compliance:YES

RoHS Compliant

TOLERANCES ARE

MORETHANALL
PCB CONNECTORS
Cable ASSEMBLIES

煜倫股份有限公司

www.morethanall.com

DRAWING BY CY

CHECKED BY GENIUS

UNIT / mm SCALE 1 : 1

DATE

SIZE A4

P PROJECTION

X, ±
.X ±
.XX ±
.XXX ±
ANG ±

照片框

ORDER INFORMATION

MJF13P36L-KX06B3GY-0808

SERIES

BLACK

06u" GOLD

NON EAR

8P8C

LEFT / RIGHT

GREEN / YELLOW

REAR TAB 3.05mm

DESCRIPTION: RJ45 10/100 BASE-T POE SINGLE PORT JACK MAGNETICS

四、Mechanicals

Housing Material:

MATERIAL:NYLON GF (Fr50) UL94V-0 STANDARD COLOR:BLACK

Insert Material:

MATERIAL:PhosBronze C5210 EH---0.35mm Thickness

Insert è BT GF UL94V-0

- 1.PLATING(1) NICKEL
- 2.PLATING(2) 100%Sn
- 3.PLATING(3) GOLD (3u " ~50u")

Plate Material:

PBT GF UL 94V-0

Contact pin Material:

MATERIAL: Phos ronze C5191---0.35mm Thickness

- 1.PLATING(1) NICKEL
- 2.PLATING(2) 100%Sn

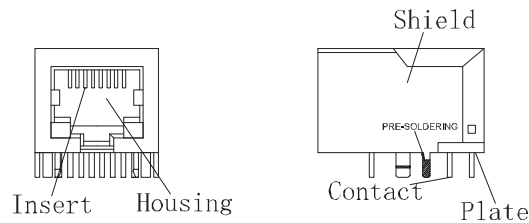
Shielding Material:

BRASS C2680 PLATING NICKEL

Operating Life750 Cycles MIN.

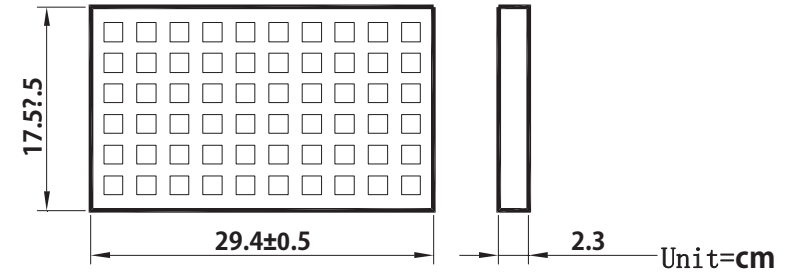
五、Environmental

- 1.Storage Temp:-40°C TO +85°C.
- 2.Operating Temp: -40°C TO +85 °C.
3. MATES WITH MODULAR PLUG CONFORMING TO FCC PART 68,SUBPARTF.

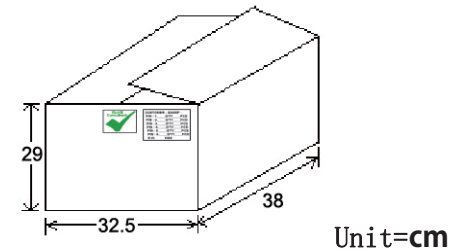


六、Packaging

1. packaging unit : 60 PCS/tray
2. packaging material : PET



3. outer carton unit 1320 pcs/ 22 Trays/box



RoHS Compliant

TOLERANCES ARE

MORETHANALL
PCB CONNECTORS
Cable ASSEMBLIES

煜倫股份有限公司

www.morethanall.com

DRAWING BY CY

CHECKED BY GENIUS

UNIT / mm SCALE 1 : 1

DATE

SIZE A4

X. ±
.X ±
.XX ±
.XXX ±
ANG ±

PPOJECTION

照片框

ORDER INFORMATION

MJF13P36L-KX06B3GY-0808

SERIES

BLACK

8P8C

LEFT / RIGHT

GREEN / YELLOW

REAR TAB 3.05mm

06u" GOLD

NON EAR

DESCRIPTION: RJ45 10/100 BASE-T POE SINGLE PORT JACK MAGNETICS