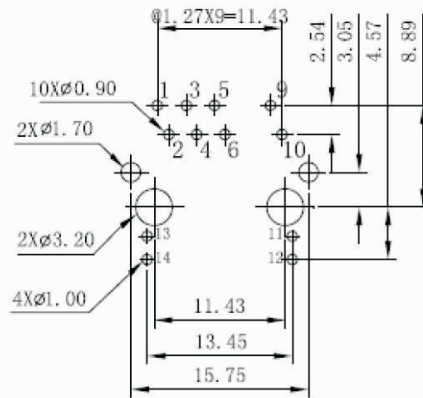
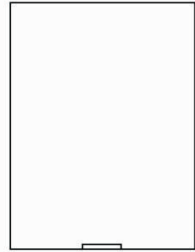
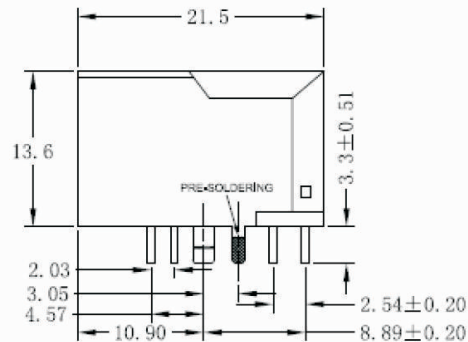
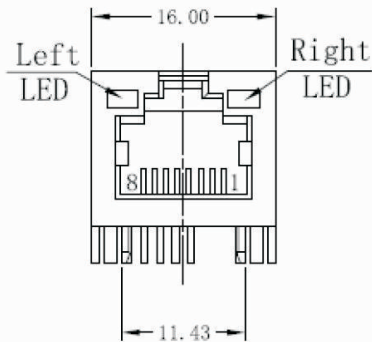


一、Mechanical Dimensions

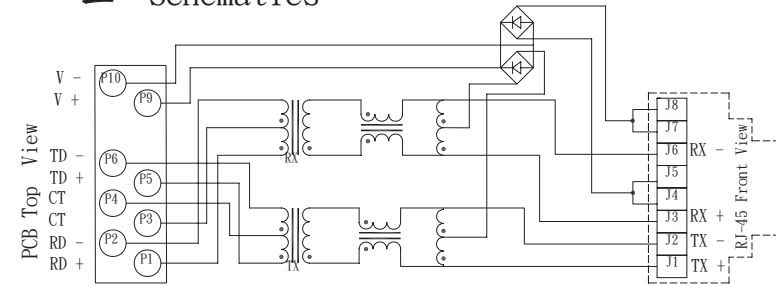


PC Board Layout
Component Side Shown



Unit: mm Unless otherwise specified, all tolerances are ± 0.25

二、Schematics



Standard LED	Wavelength	Forward * V(MAX)	TYP
Green	565nm	7.0v	6.8v
Yellow	585nm	8.5v	7.5v

With a forward current of 20mA

三、ELECTRICAL SPECIFICATIONS@25°C:

1. Turn Ratio($\pm 5\%$): 1CT:1
2. Inductance(100KHz/0.1V@8mA):350uH MIN
3. Insertion Loss (dB MAX):-1.1dB(0.5-100MHz)
4. Return Loss (dB MIN): -18dB(0.5-30MHz),
-18+20Log(f/30MHz)dB(30-60MHz),-12dB(60-80MHz)
5. Cross talk(dB MIN):-35dB(0.5-40MHz),-33+20Log(f/50MHz)dB(40-100MHz)
6. CMR (dB MIN): -30dB(0.5-100MHz)
7. HI-POT(Pri to Sec):1500Vrms/0.5mA/60Sec or 1650Vrms/0.5mA/2Sec
8. Operating Temperature:-40°C TO +85°C
9. POE applications current capability:350mA
10. RoHS compliance:YES

RoHS Compliant

TOLERANCES ARE

MORETHANALL
PCB CONNECTORS
Cable ASSEMBLIES

煜倫股份有限公司

www.morethanall.com

DRAWING BY CY

CHECKED BY GENIUS

UNIT / mm SCALE 1 : 1

DATE

SIZE A4

P PROJECTION

X, \pm
.X \pm
.XX \pm
.XXX \pm
ANG \pm

照片框

ORDER INFORMATION

MJF13P34UL-KX06B3GY24-0808

SERIES
LEFT / RIGHT 8P8C
GREEN / YELLOW
REAR TAB 3.05mm
BLACK
06u" GOLD
NON EAR

DESCRIPTION:

四、Mechanicals

Housing Material:

MATERIAL:NYLON GF (Fr50) UL94V-0 STANDARD COLOR:BLACK

Insert Material:

MATERIAL:Phos-Bronze C5210 EH---0.35mm Thickness

Insert -PBT GF UL94V-0

1.PLATING(1) NICKEL

2.PLATING(2) 100%Sn

3.PLATING(3) GOLD (3u " ~50u ")

Plate Material:

PBT GF UL 94V-0

Contact pin Material:

MATERIAL: Phos-Bronze C5191---0.35mm Thickness

1.PLATING(1) NICKEL

2.PLATING(2) 100%Sn

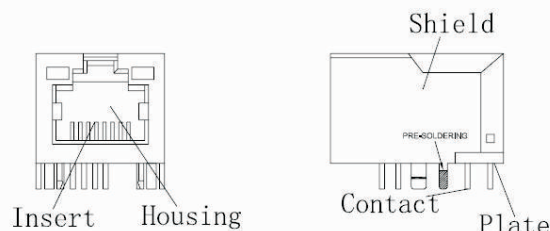
Shielding Material:

BRASS C2680 PLATING NICKEL

Operating Life:750 Cycles MIN.

五、Environmental

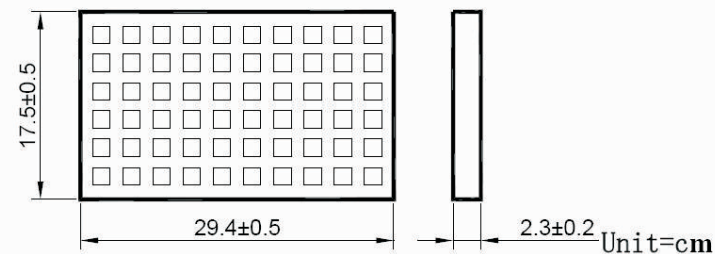
1.Storage Temp:-40°C TO +85°C.



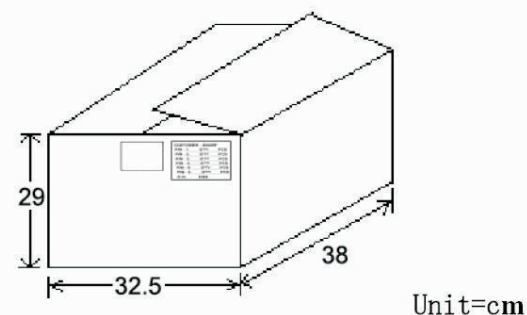
六、Packaging

1. packaging unit : 60 PCS/tray

2. packaging material : PET



3. outer carton unit: 1320 pcs/ 22 Trays/box



RoHS Compliant

TOLERANCES ARE

MORETHANALL
PCB CONNECTORS
Cable ASSEMBLIES

煜倫股份有限公司

www.morethanall.com

DRAWING BY CY

CHECKED BY GENIUS

UNIT / mm SCALE 1 : 1

DATE

SIZE A4

X. ±

.X ±

.XX ±

.XXX ±

ANG ±

PJECTION

照片框

ORDER INFORMATION

MJF13P34UL-KX06B3GY24-0808

SERIES

BLACK

LEFT / RIGHT 8P8C

GREEN / YELLOW

REAR TAB 3.05mm

06u" GOLD

NON EAR

DESCRIPTION: